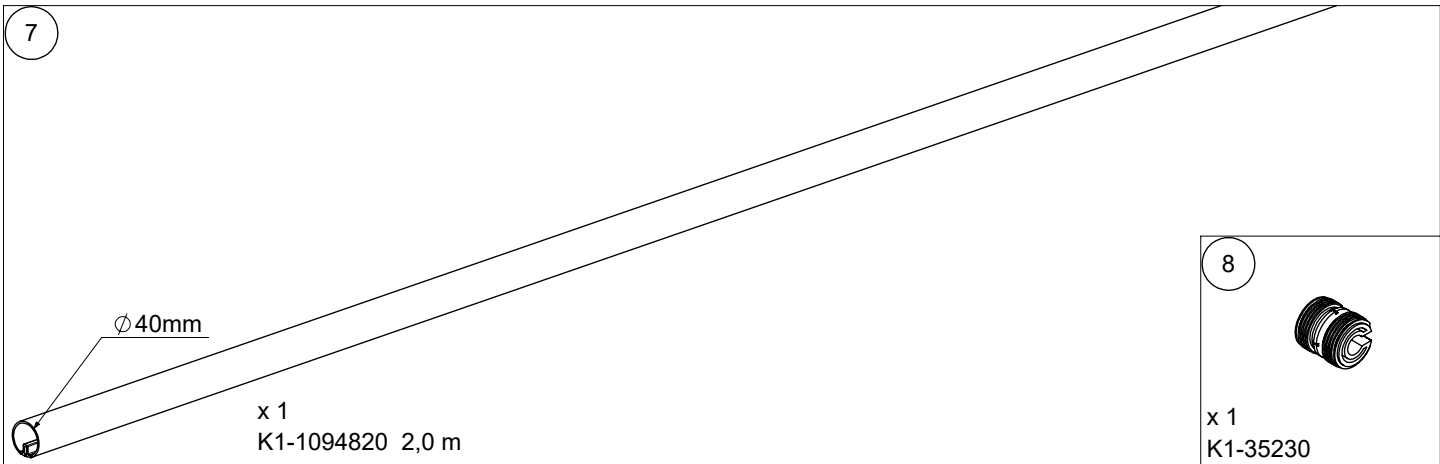
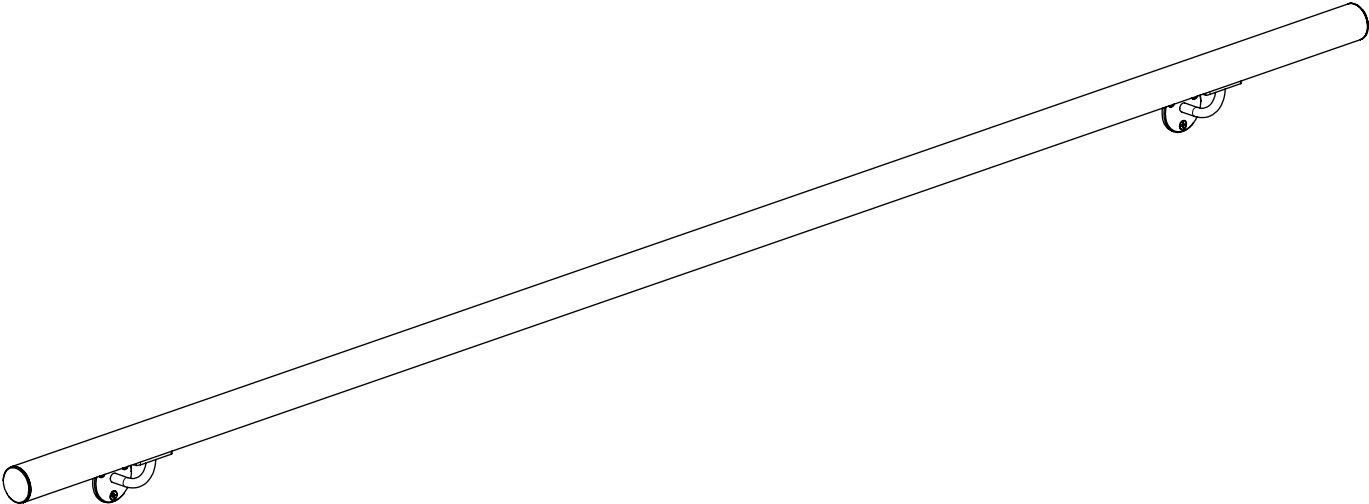


CLEAN BLACK

2M



OPTION

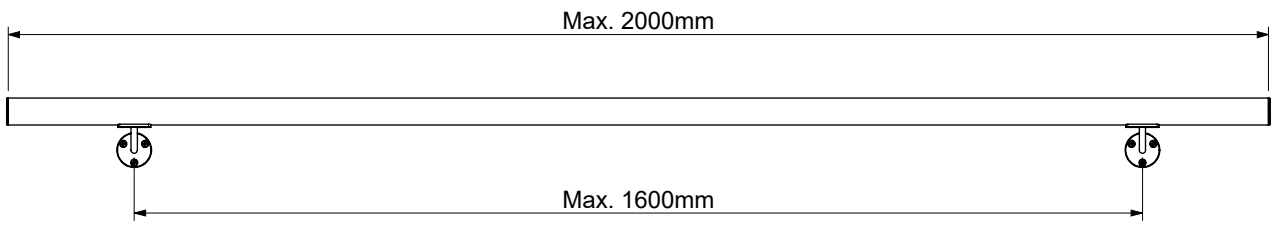
4

x 2
K1-1094816

OPTION

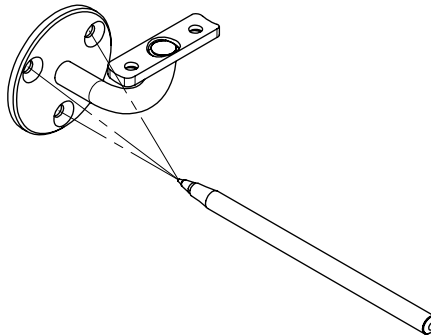
<p>2</p> <p>x 1 K2-1094845</p>	<p>12</p> <p>x 2 K3-10489 Ø4,8 x 25</p>	<p>14</p> <p>x 3 K3-08002 Ø8 x 40</p>	<p>15</p> <p>x 3 K3-10488 Ø5 x 50</p>
------------------------------------	---	---	---

1

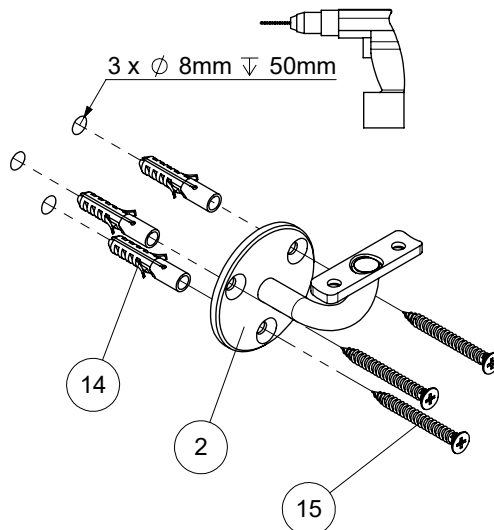


2

I



II



III

