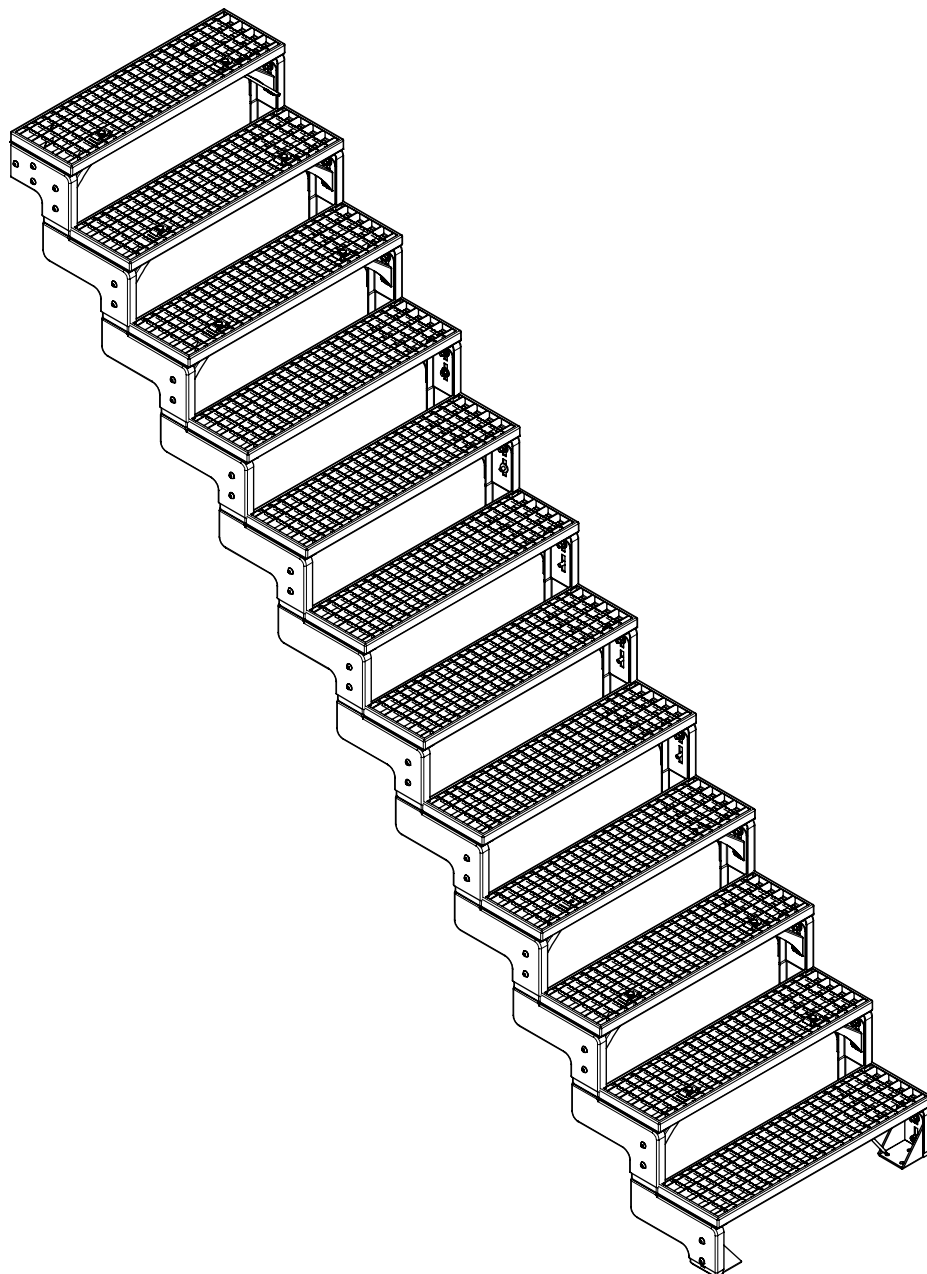


GARDENTOP

Gitterrost

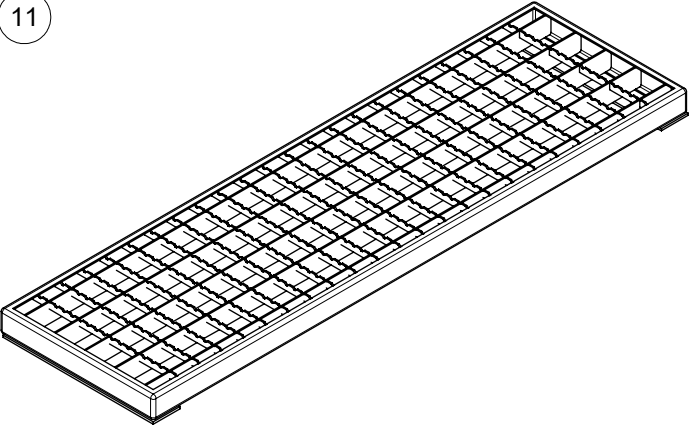
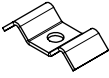




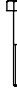




Montageanleitung
Installation instruction

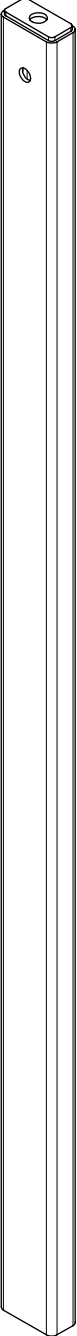
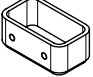
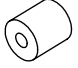








1068015		Starter-Set Start kit			
<p>1 2</p> <p>x 1 K1-41430 x 1 K1-41930</p>		<p>7 8</p> <p>x 1 K1-41911 x 1 K1-41910</p>		<p>5</p> <p>x 2 K2-41900</p>	
<p>6</p> <p>x 2 K1-41940</p>		<p>40</p> <p>x 14 K3-02045 M10 x 25</p>		<p>41</p> <p>x 2 K3-04110 Ø10</p>	
<p>42</p> <p>x 8 K3-04198 Ø10</p>		<p>43</p> <p>x 14 K3-03051 M10</p>		<p>44</p> <p>x 12 K3-08001 Ø12 x 60</p>	
<p>45</p> <p>x 12 K3-06070 Ø10 x 60</p>		<p>59</p> <p>x 12 K3-06269 Ø6 x 35</p>		<p>63</p> <p>x 4 K3-05022 M8 x 20</p>	
<p>64</p> <p>x 12 K3-04010 Ø10,5</p>					

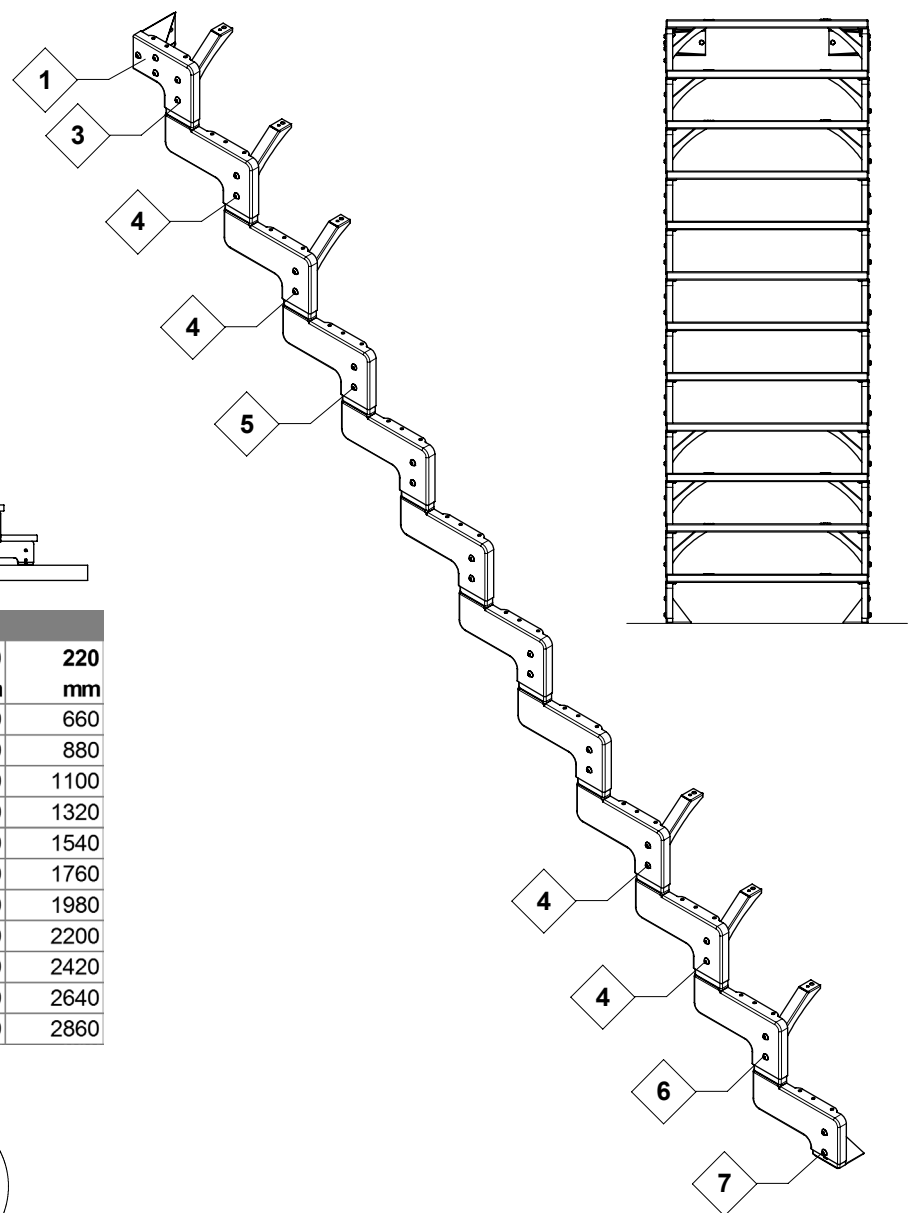
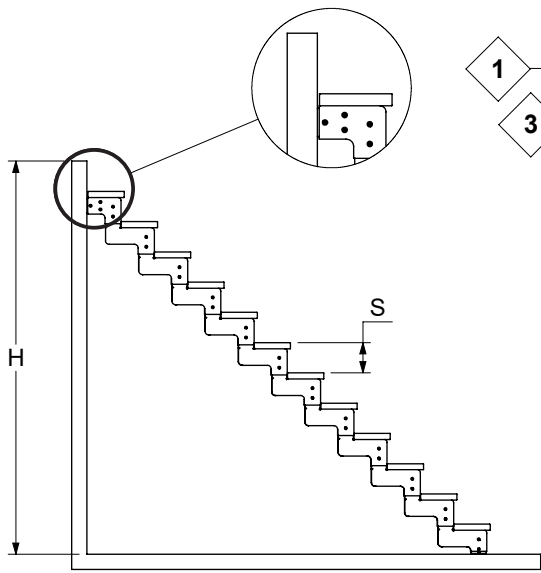
1068016		Ergänzungs-Set 1 step kit			
<p>3 4</p> <p>x 1 K1-41921 x 1 K1-41920</p>		<p>40</p> <p>x 4 K3-02045 M10 x 25</p>		<p>42</p> <p>x 4 K3-04198 Ø10</p>	
		<p>43</p> <p>x 4 K3-03051 M10</p>			
		<p>59</p> <p>x 6 K3-06269 Ø6 x 35</p>			

1068020		Stufen-Winkel Step support 1 step			
<p>If more than 6 steps: Add 9 + 10</p> <p>Wenn mehr als 6 Stufen: hinzufügen 9 + 10</p>		<p>9 10</p> <p>x 1 K1-41060 x 1 K1-41061</p> <p>Max. 6 Satz sets</p>		<p>40</p> <p>x 2 K3-02045 M10 x 25</p>	
		<p>43</p> <p>x 2 K3-03051 M10</p>		<p>58</p> <p>x 2 K3-02386 M8 x 40</p>	
		<p>59</p> <p>x 1 K3-06269 Ø6 x 35</p>		<p>61</p> <p>x 2 K3-03047 M8</p>	
		<p>65</p> <p>x 2 K3-04099 Ø10</p>			

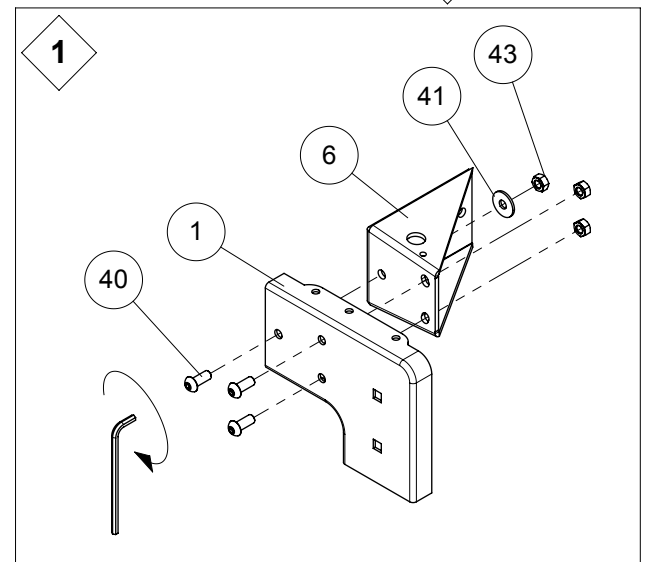
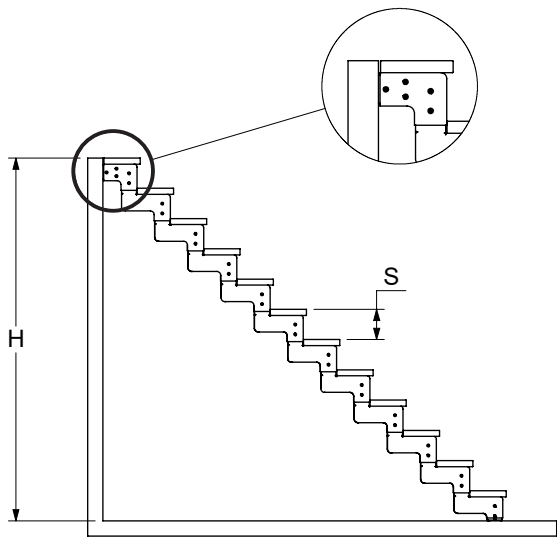
		Gitterrost-Stufe Grating step		80 cm / 100 cm		
11		44		55	 	
		× 2		× 4 K3-04016 Ø6	× 4 K3-03046 M6	
		57	 	58	 	
		× 4 K3-02220 M6 x 20		× 2 K3-02386 M8 x 40	61	  
					× 2 K3-03047 M8	

1068098		Unterstützung Support		OPTION	
24		26		27	
		× 1 K1-41955	× 1 K1-41956	41	 
		53	 	43	 
		× 2 K3-05007 M5 x 5	54	55	× 1 K3-03051 M10
			× 1 K3-08002 Ø8 x 40	× 1 K3-06032 Ø6 x 60	× 1 K3-02375 M10 x 75

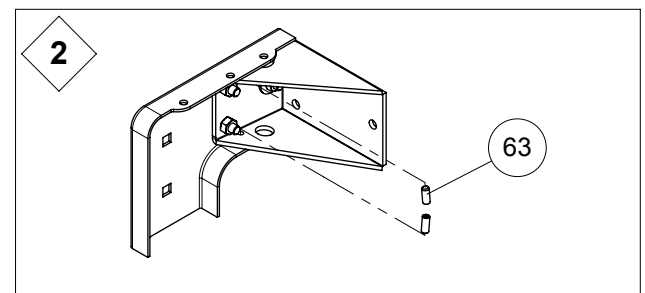
× 1
K1-41950

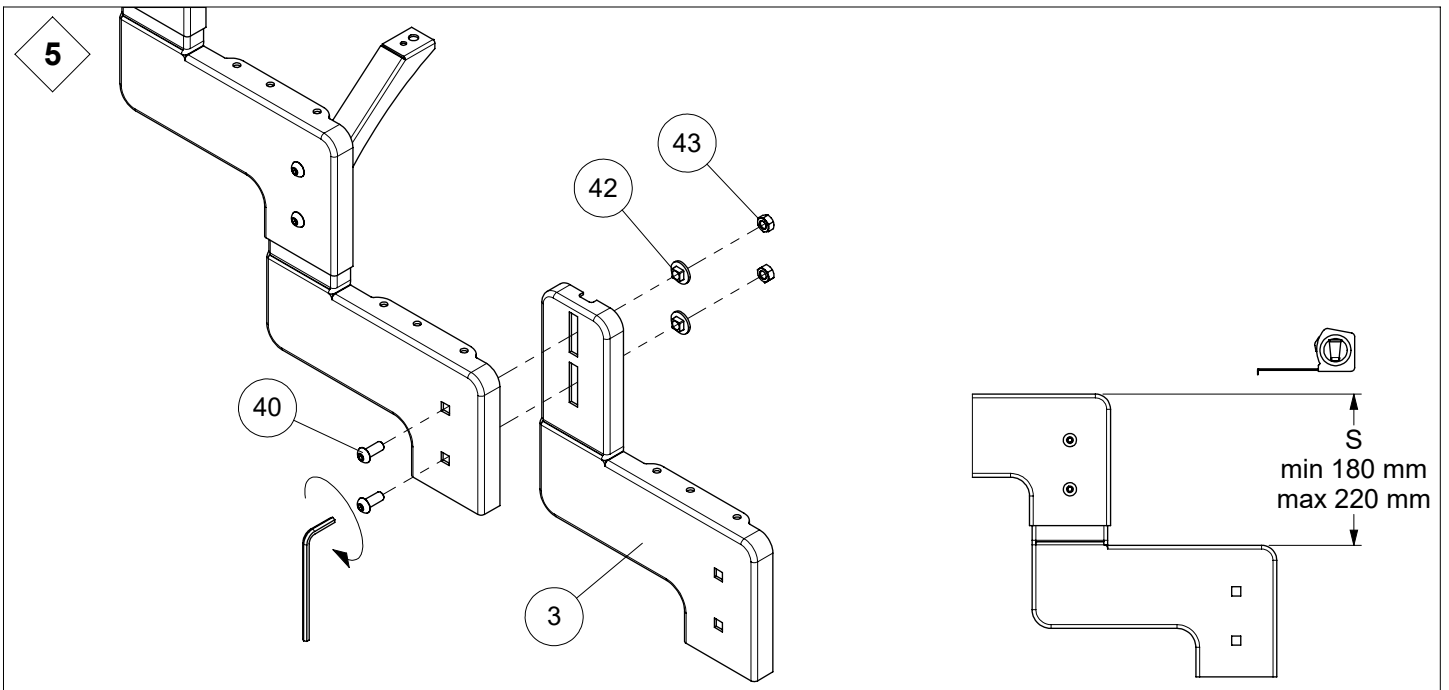
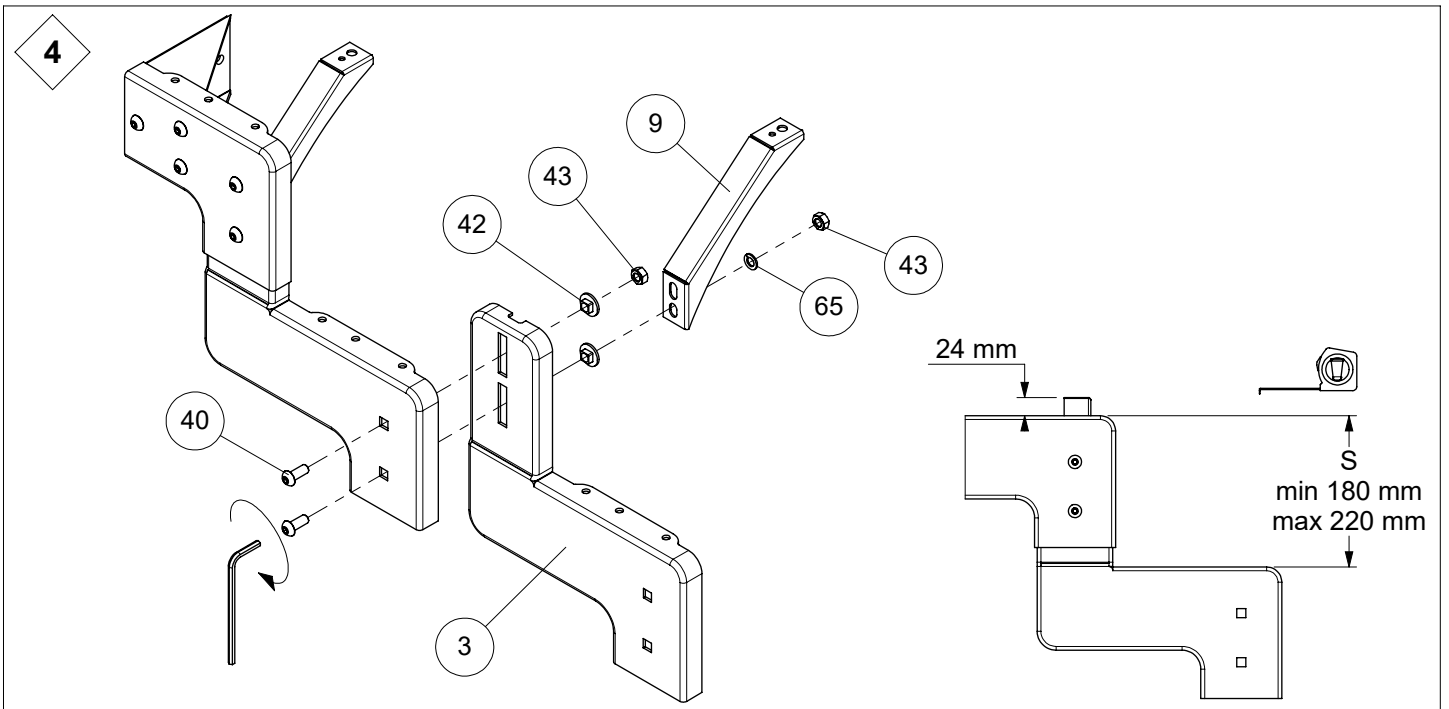
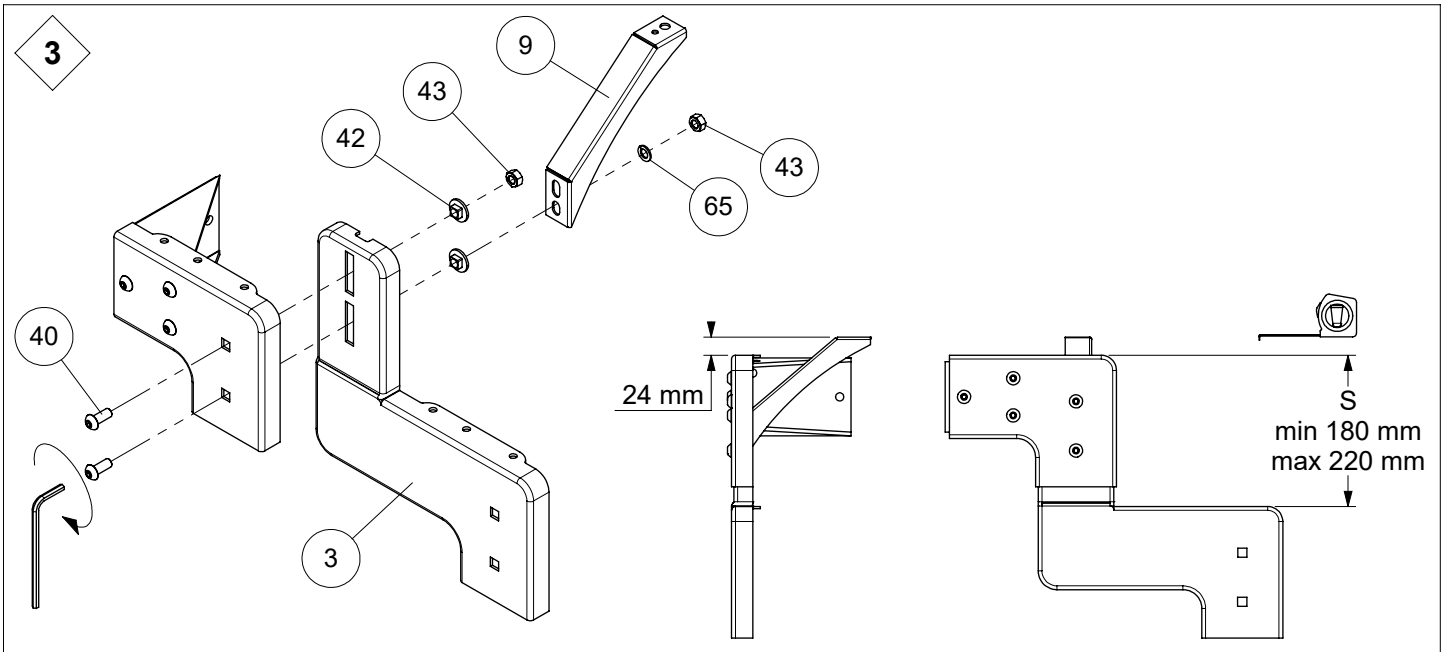


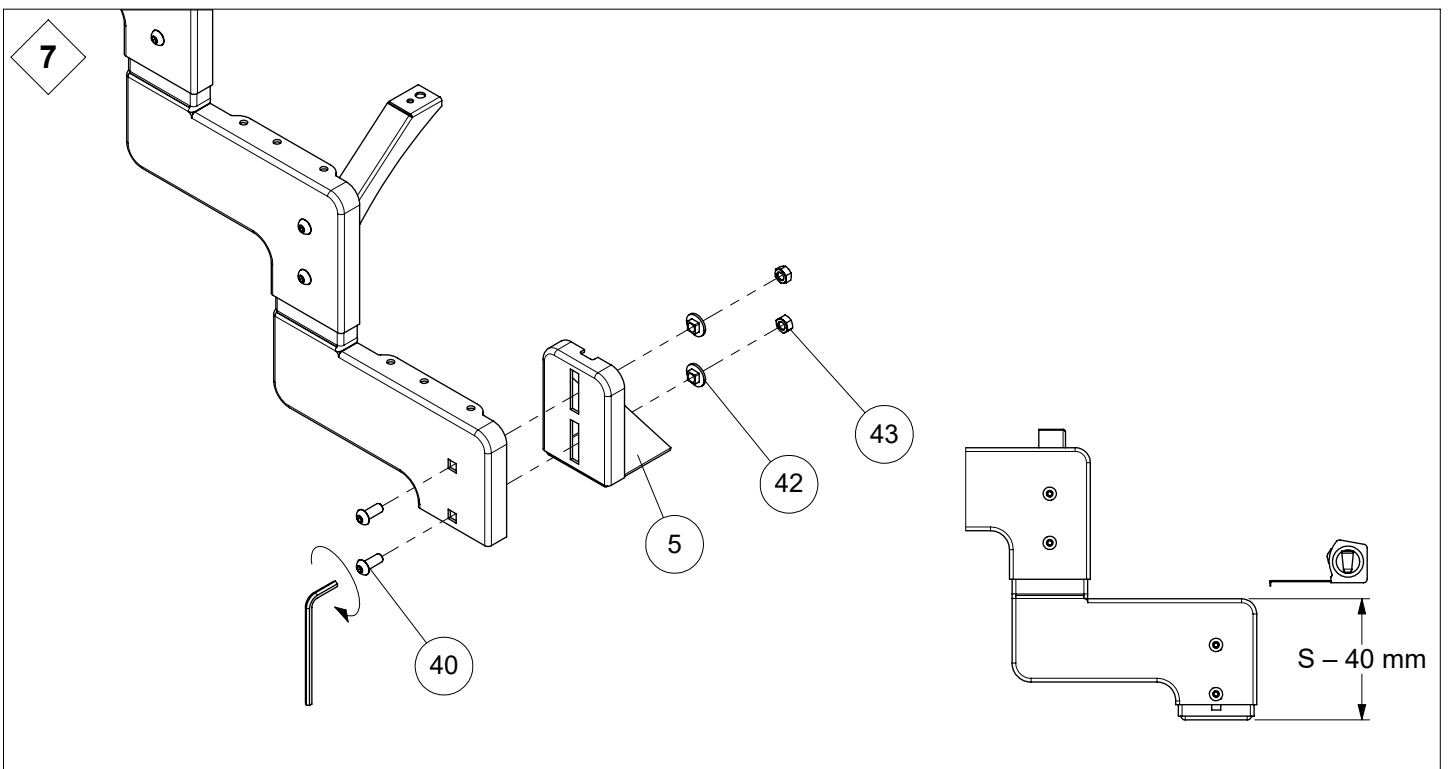
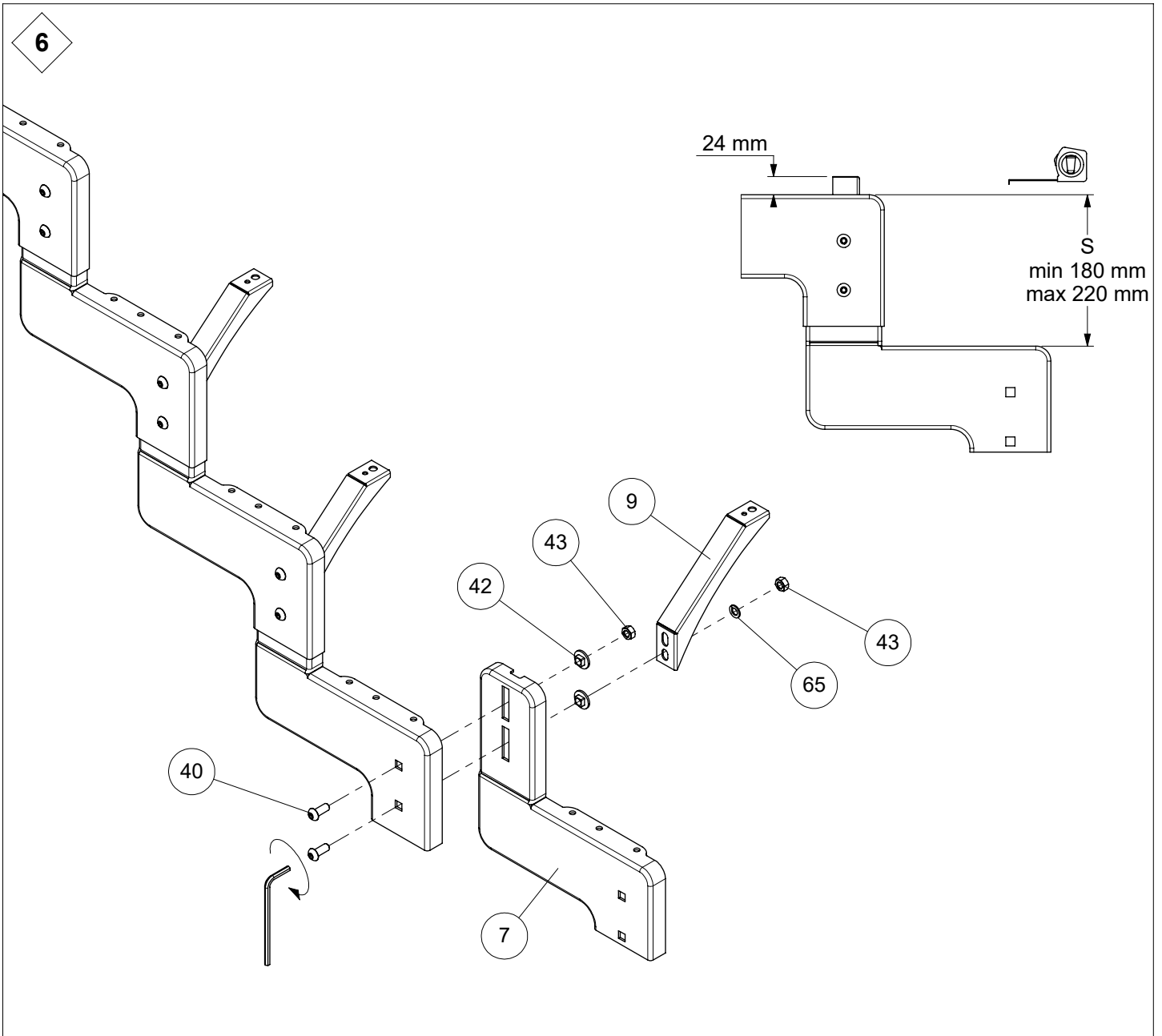
H	S				
	180 mm	190 mm	200 mm	210 mm	220 mm
2	540	570	600	630	660
3	720	760	800	840	880
4	900	950	1000	1050	1100
5	1080	1140	1200	1260	1320
6	1260	1330	1400	1470	1540
7	1440	1520	1600	1680	1760
8	1620	1710	1800	1890	1980
9	1800	1900	2000	2100	2200
10	1980	2090	2200	2310	2420
11	2160	2280	2400	2520	2640
12	2340	2470	2600	2730	2860

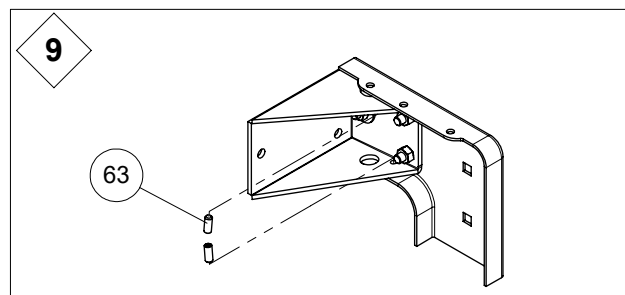
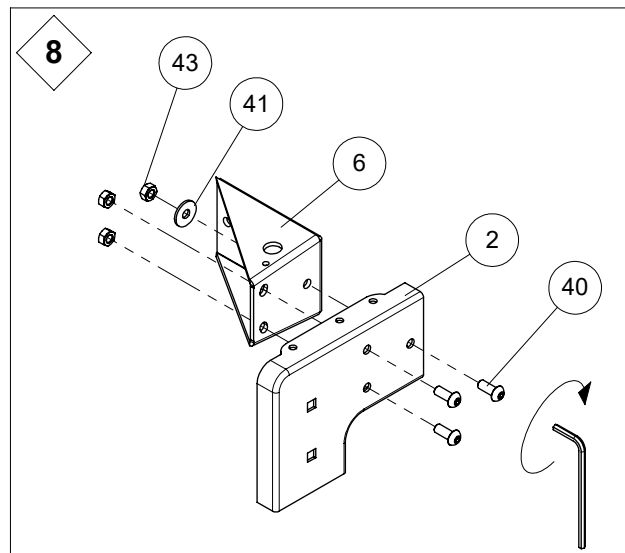
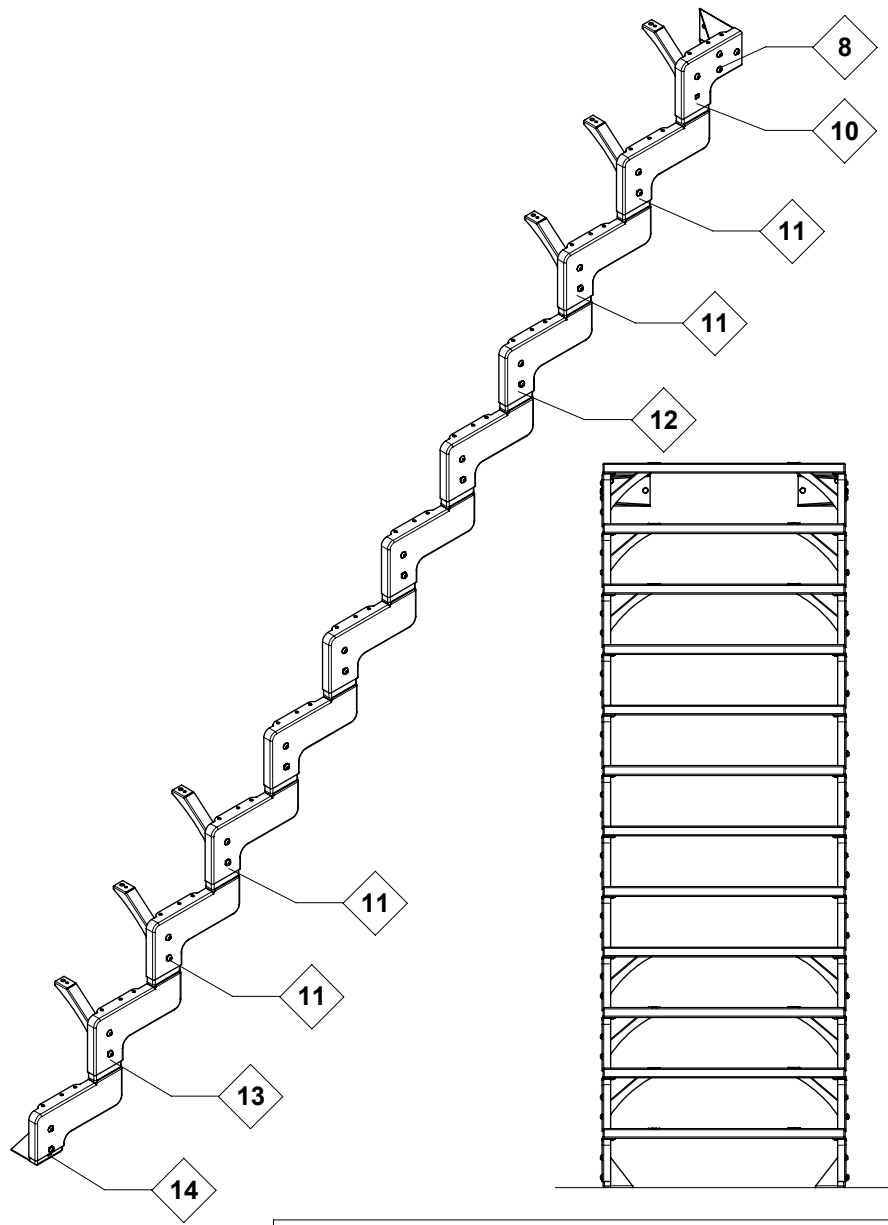


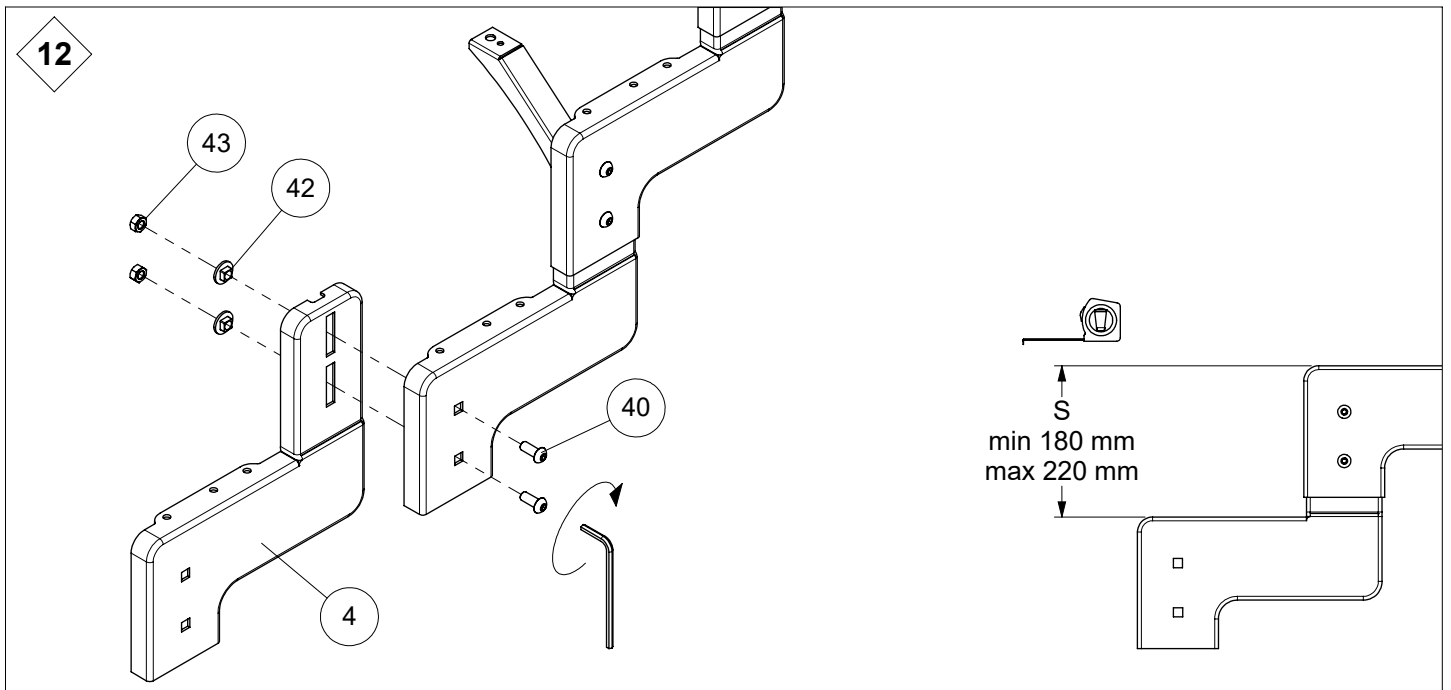
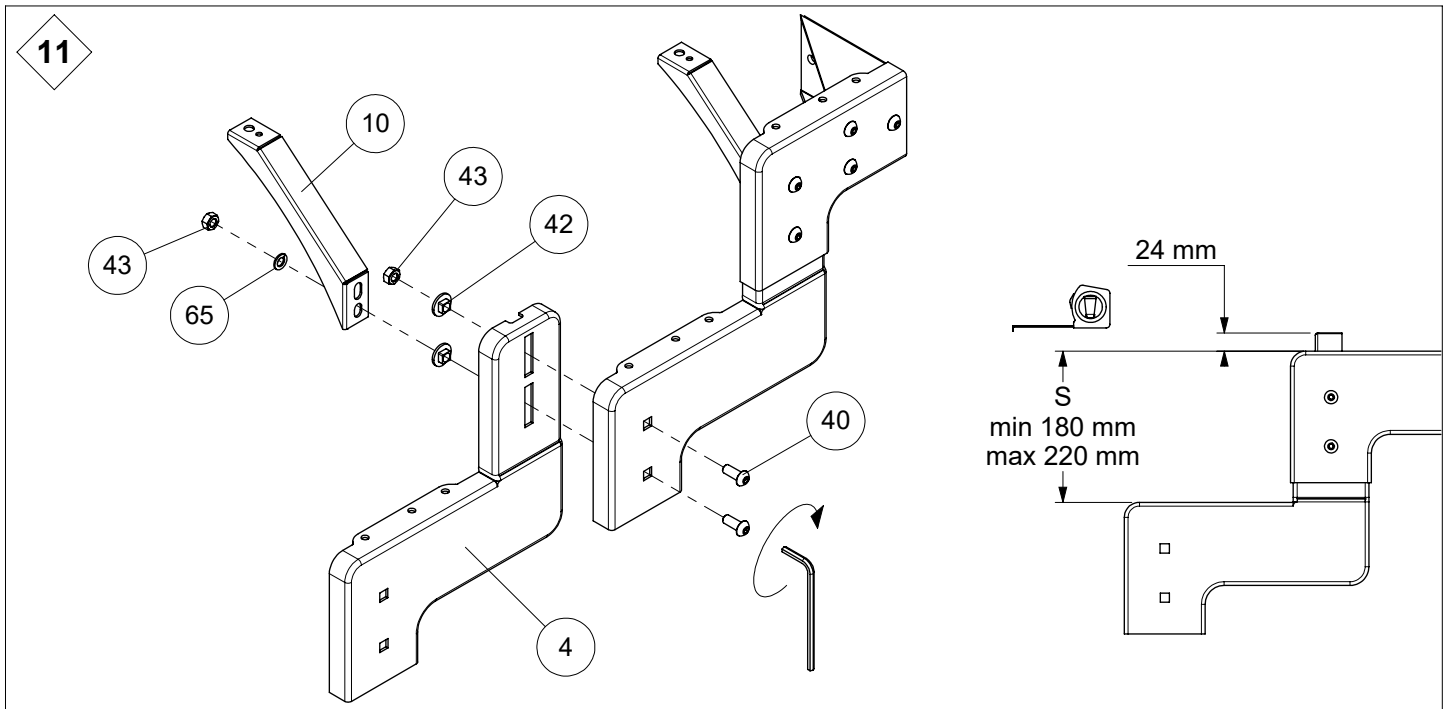
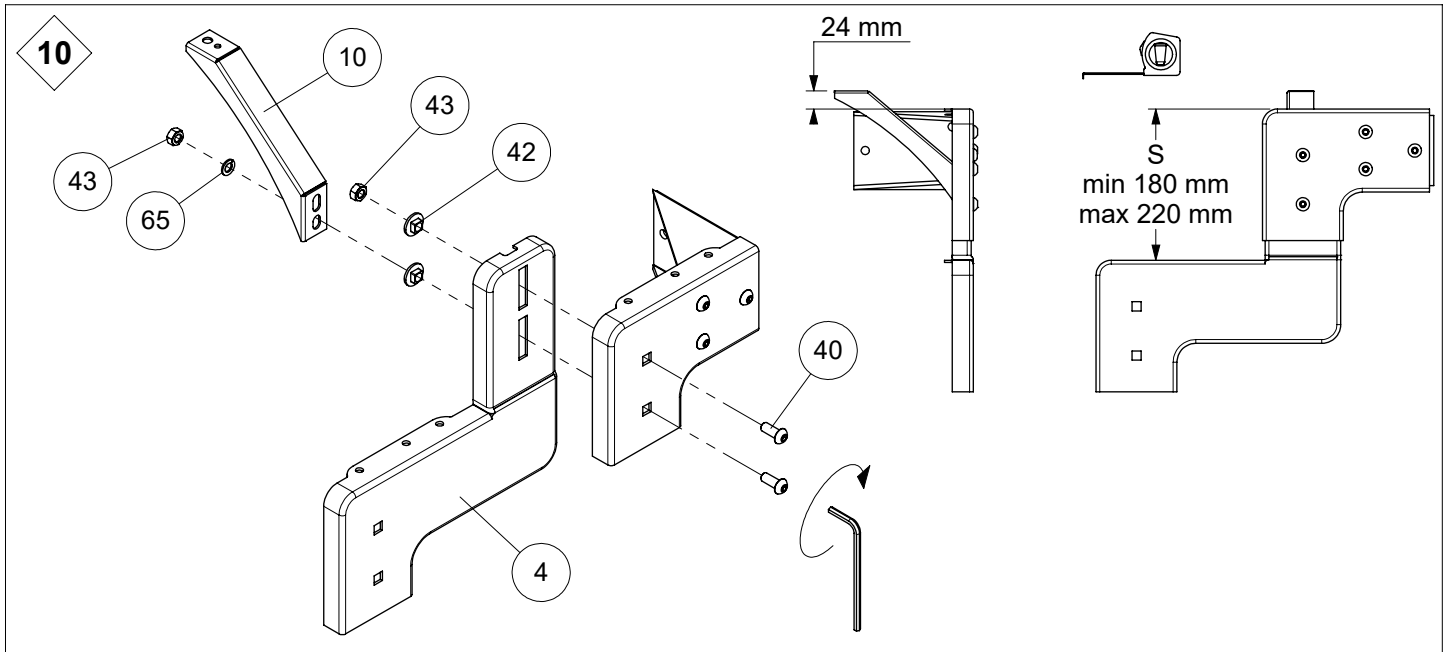
H	S				
	180 mm	190 mm	200 mm	210 mm	220 mm
2	360	380	400	420	440
3	540	570	600	630	660
4	720	760	800	840	880
5	900	950	1000	1050	1100
6	1080	1140	1200	1260	1320
7	1260	1330	1400	1470	1540
8	1440	1520	1600	1680	1760
9	1620	1710	1800	1890	1980
10	1800	1900	2000	2100	2200
11	1980	2090	2200	2310	2420
12	2160	2280	2400	2520	2640



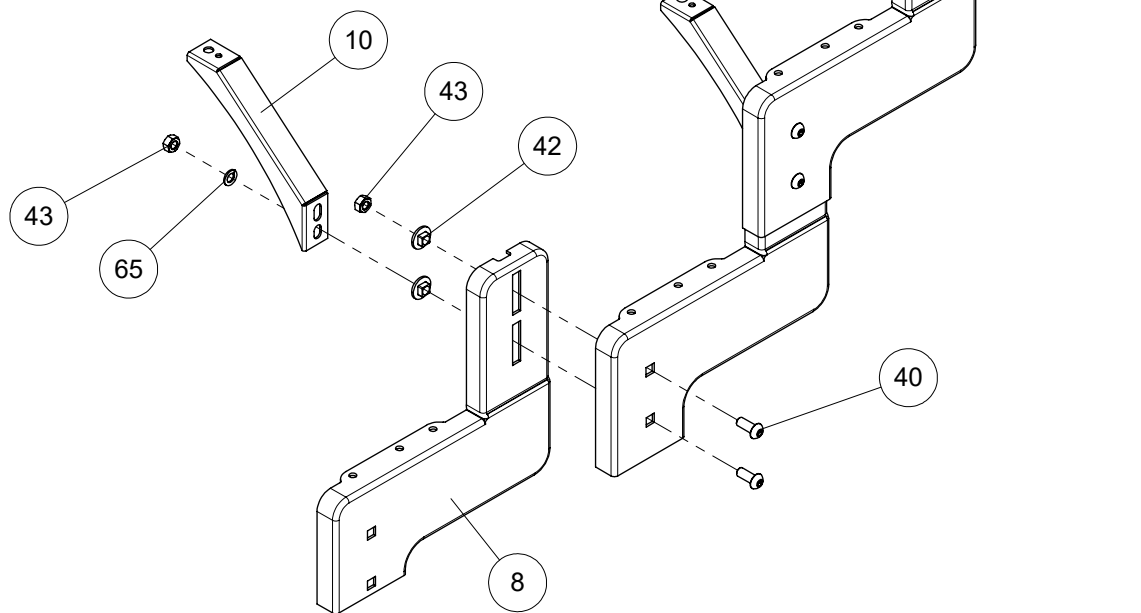
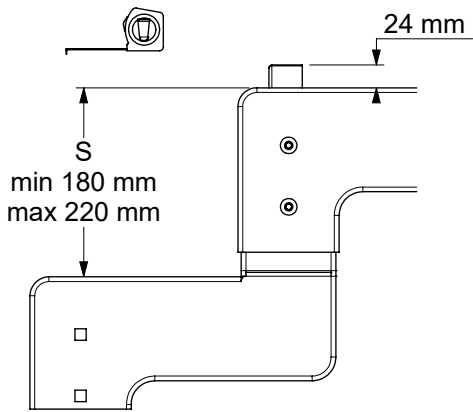




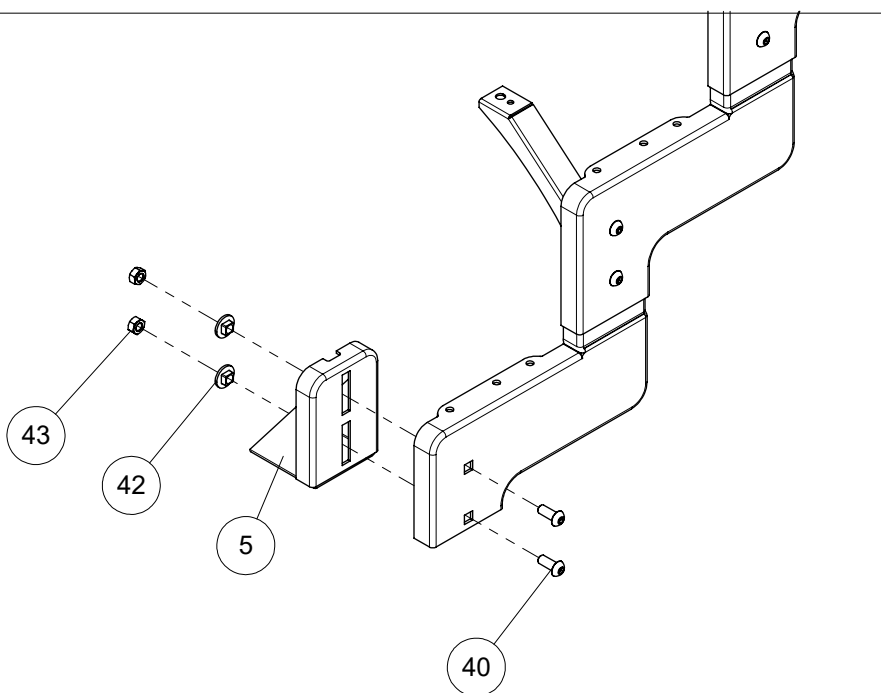
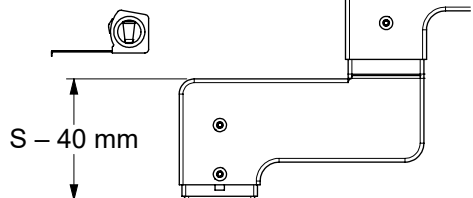


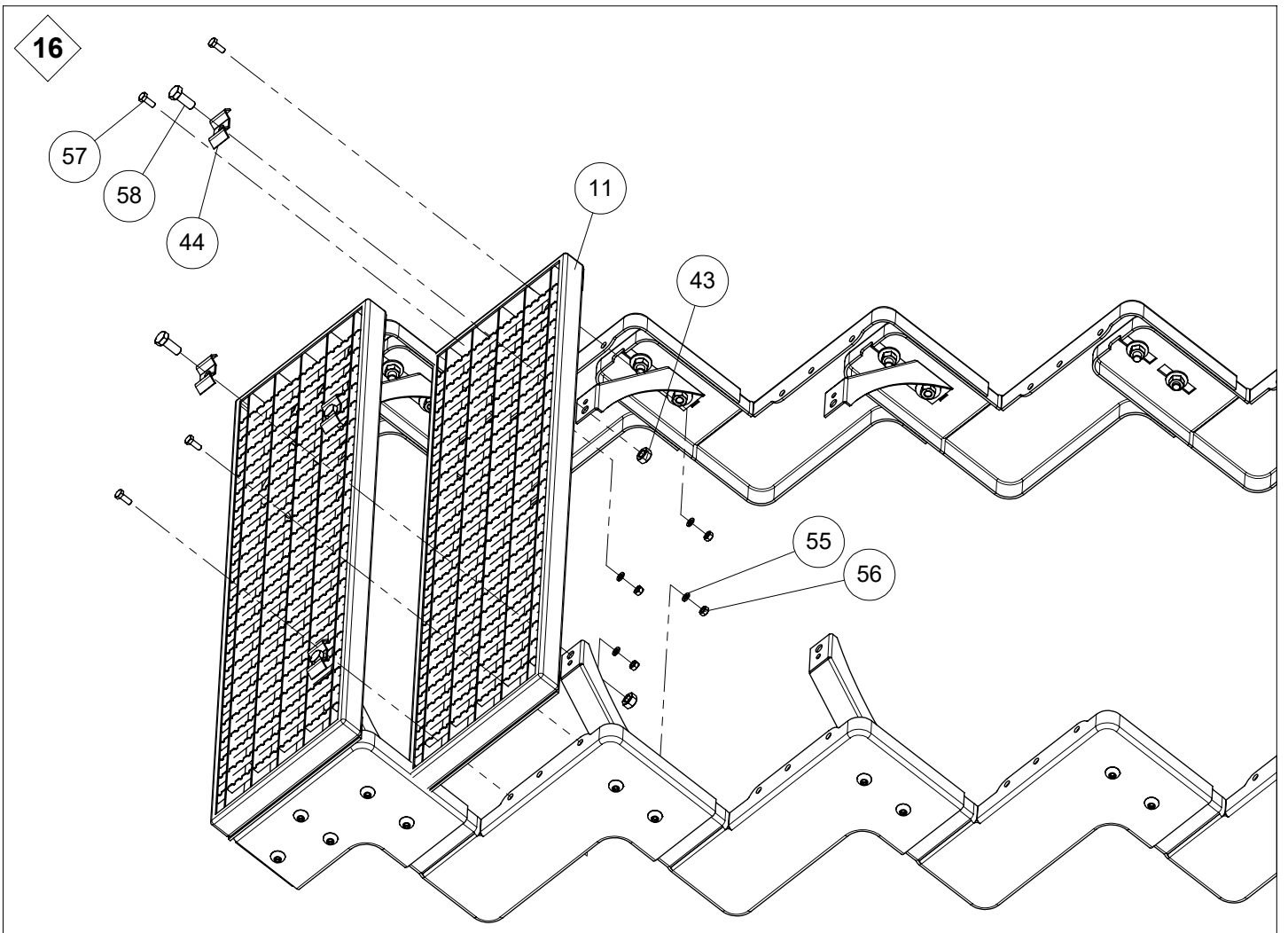
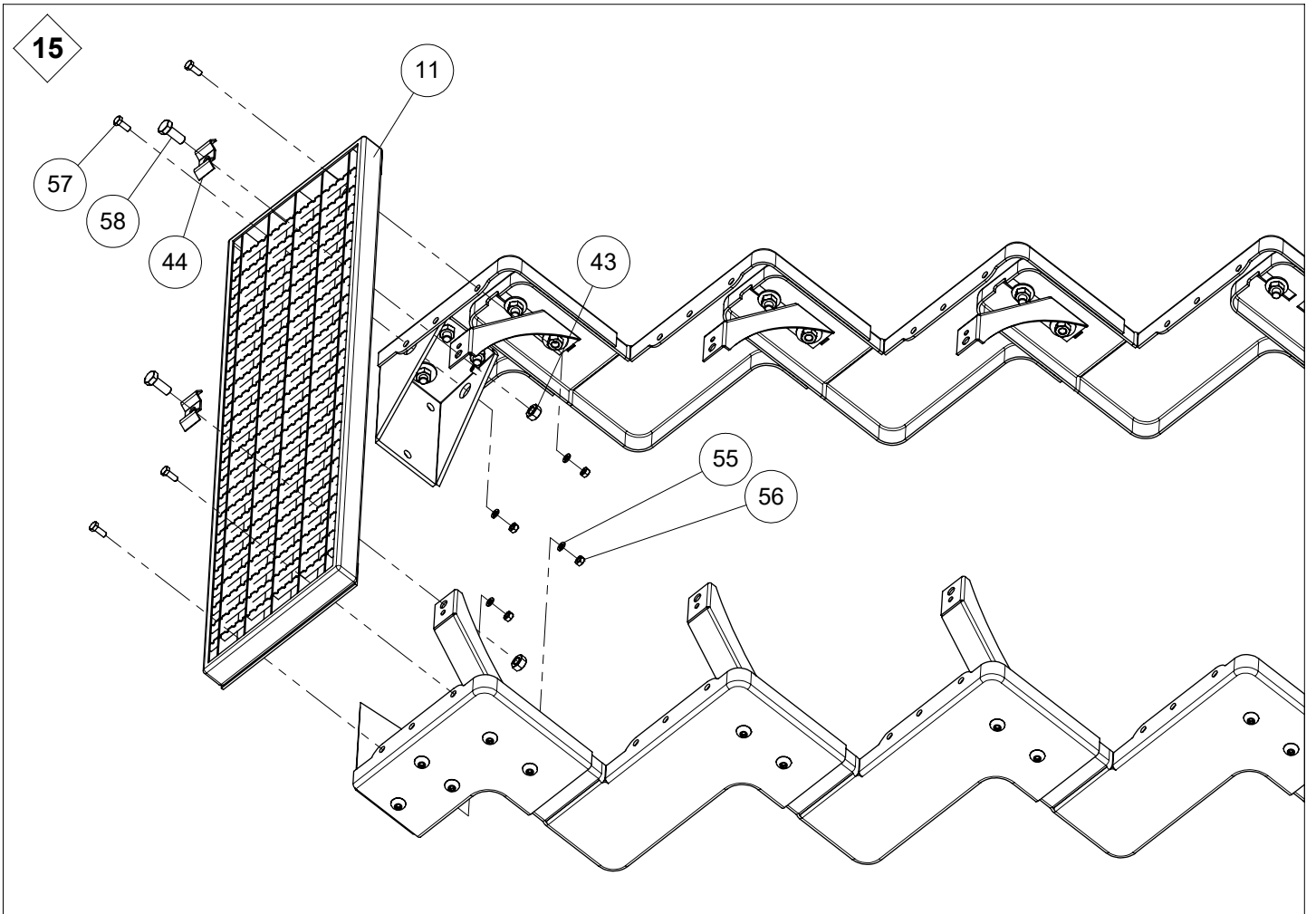


13

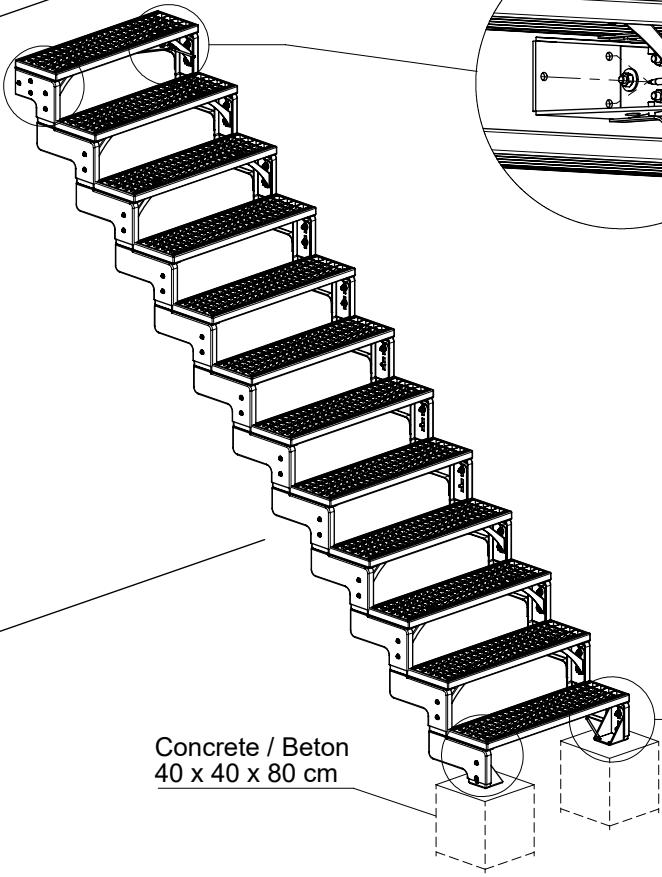


14

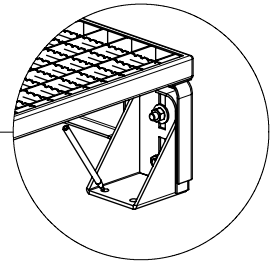
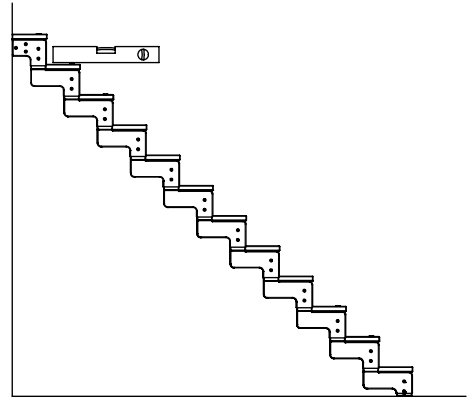




17

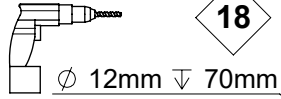


Concrete / Beton
40 x 40 x 80 cm



18

19



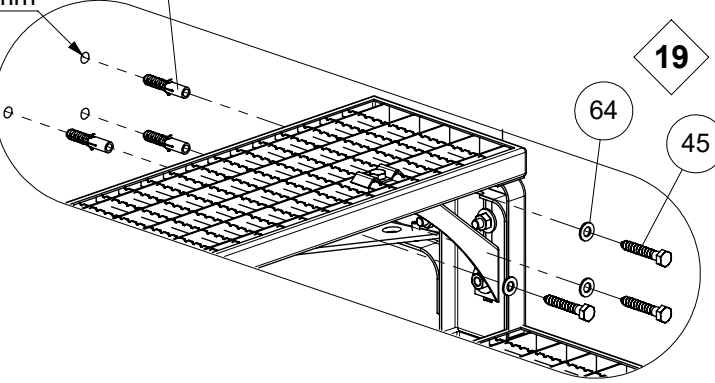
18

44

19

64

45



19

45

64

44

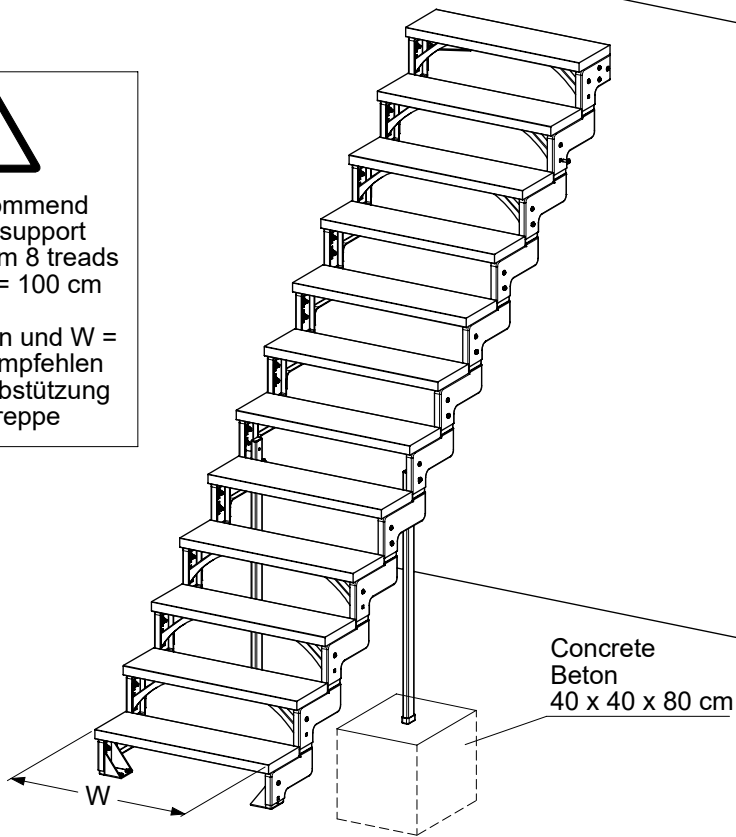
18

Ø 12mm 70mm



We recommend
using a support
column from 8 treads
and if $W = 100$ cm

Ab 8 Stufen und $W =$
100 cm empfehlen
wir eine Abstützung
der Treppe



Concrete
Beton
40 x 40 x 80 cm