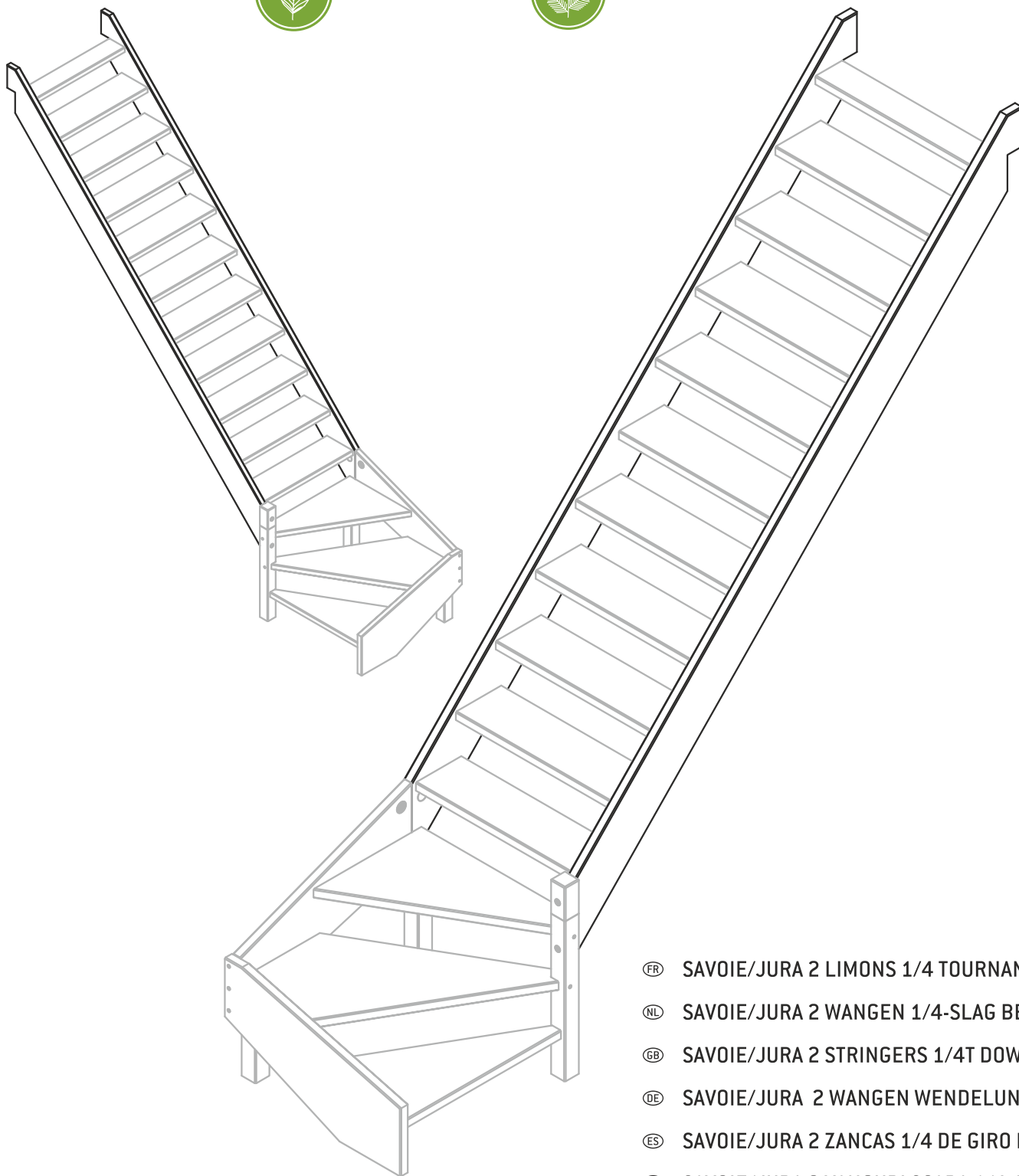
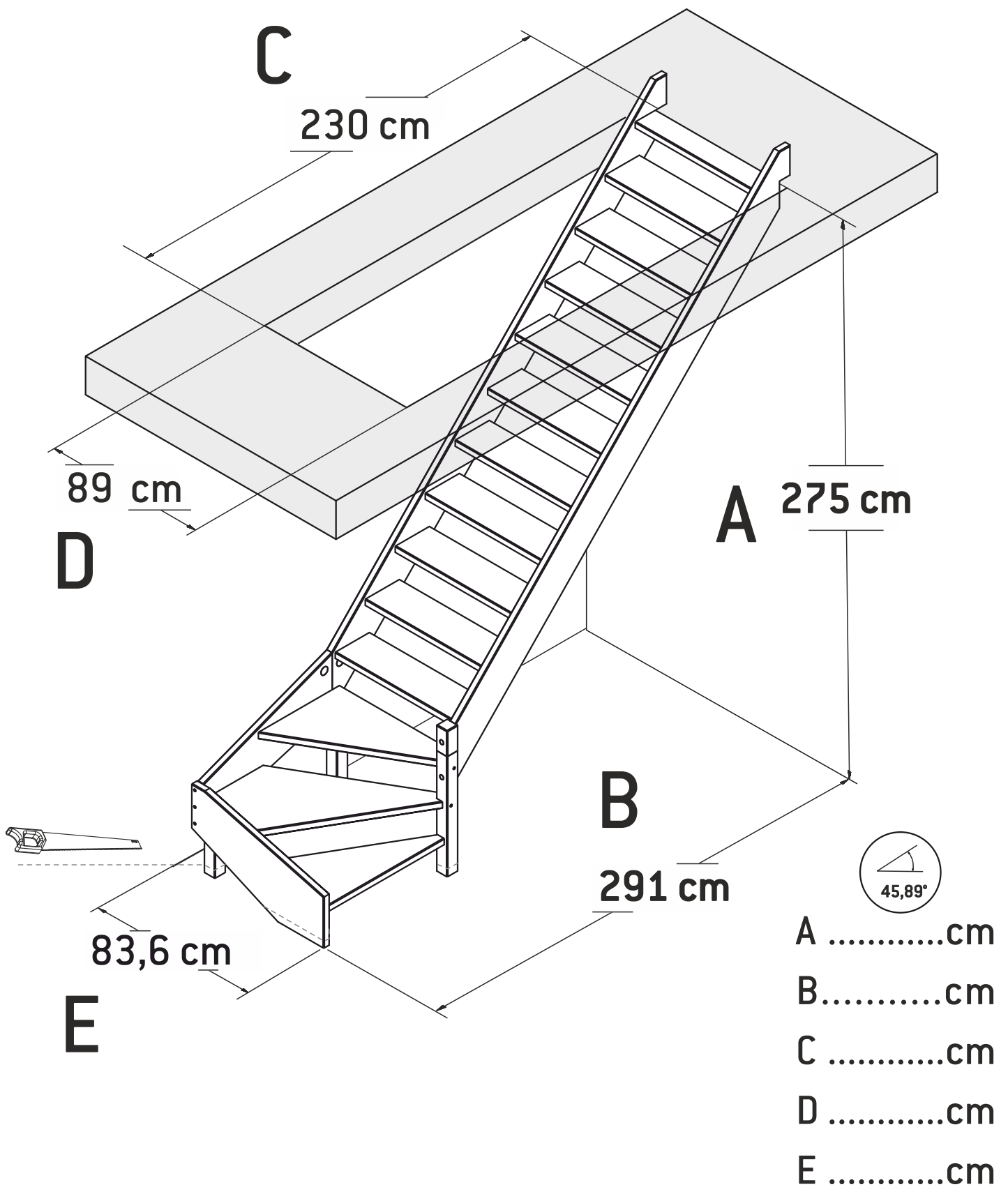


# SAVOIE-JURA 1/4T

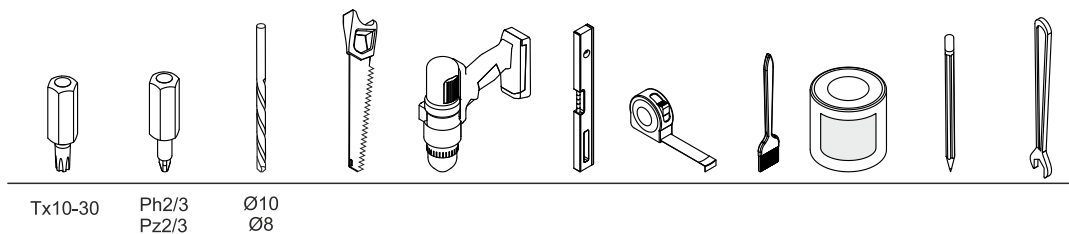
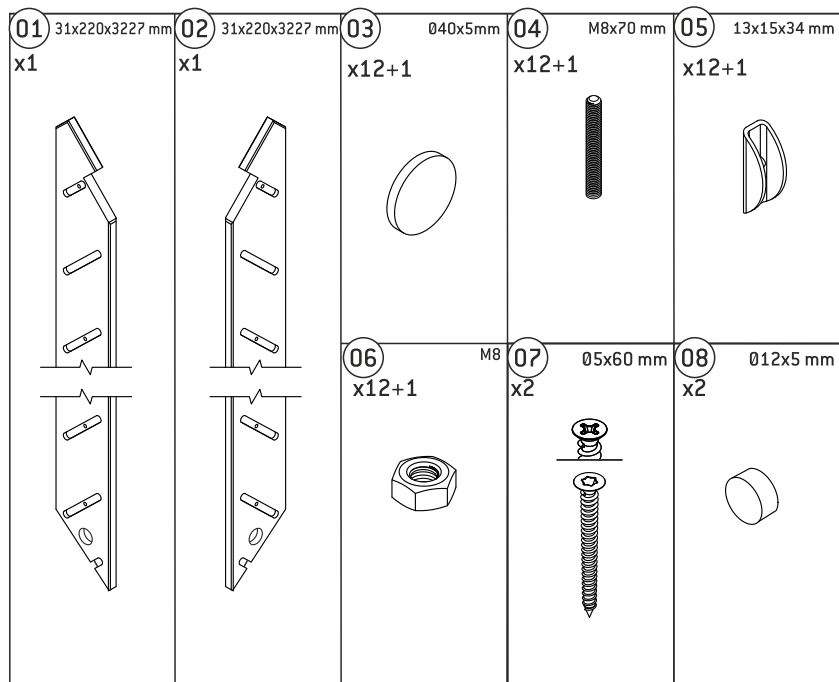


PL SAVOIE/JURA SCHODY Z ZABIEGIEM 1/4 DOLNYM

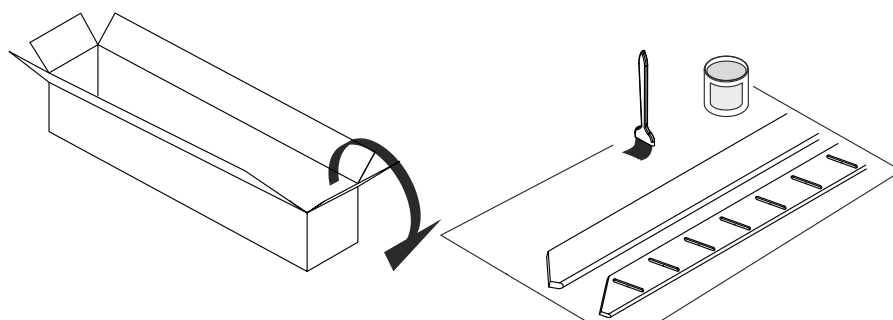
- FR SAVOIE/JURA 2 LIMONS 1/4 TOURNANT BAS
- NL SAVOIE/JURA 2 WANGEN 1/4-SLAG BENEDEN
- GB SAVOIE/JURA 2 STRINGERS 1/4T DOWN
- DE SAVOIE/JURA 2 WANGEN WENDELUNG UNTEN
- ES SAVOIE/JURA 2 ZANCAS 1/4 DE GIRO BAJO
- RO SAVOIE/JURA 2 VANGURI SCARA 1/4 JOS
- LT SAVOIE/JURA LAIPTŲ SU POSŪKIU TIESIOSIOS DALIES ŠONINIAI UŽDENGIMAI



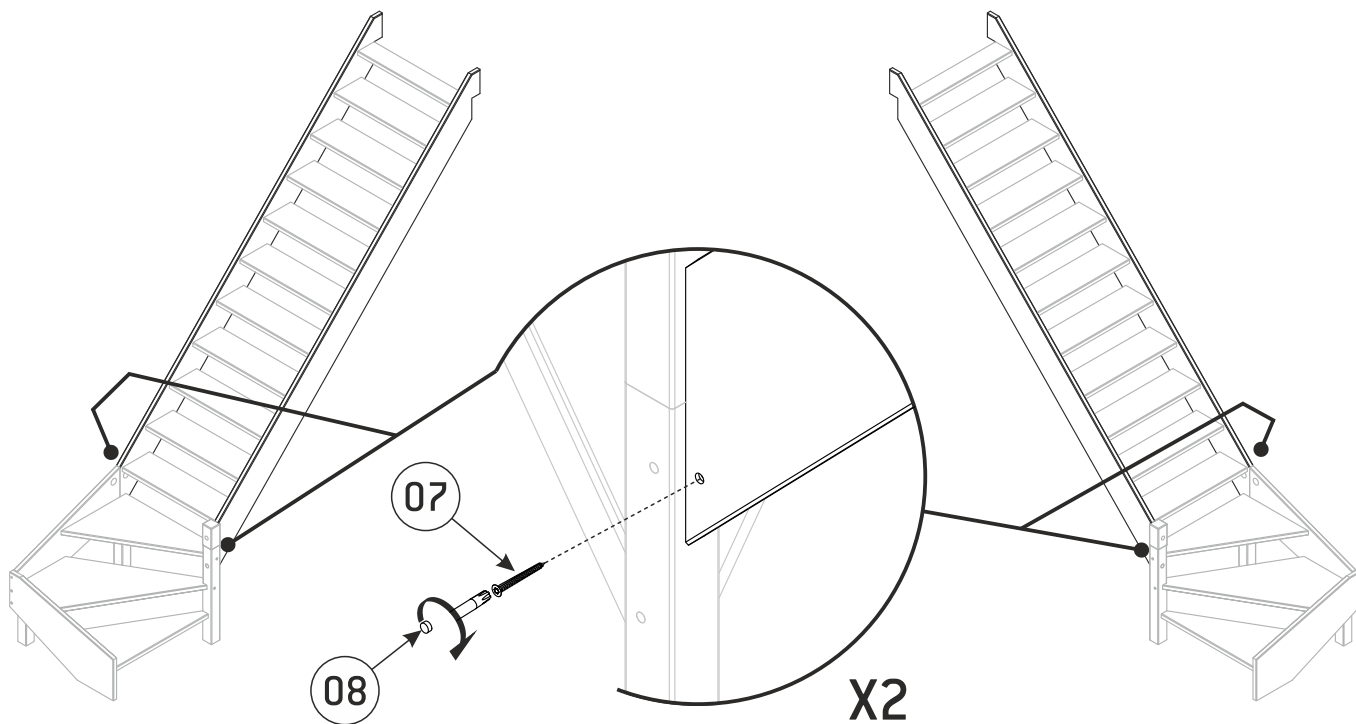
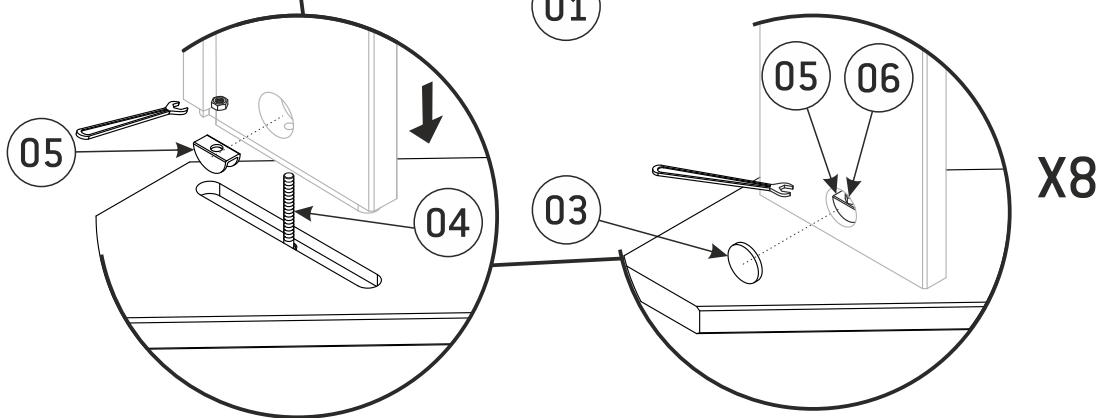
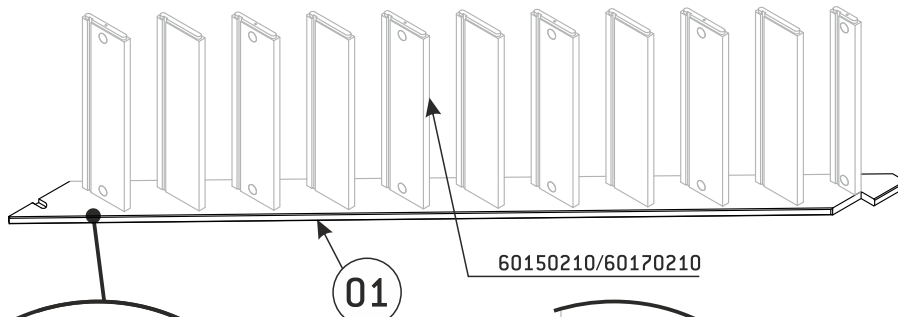
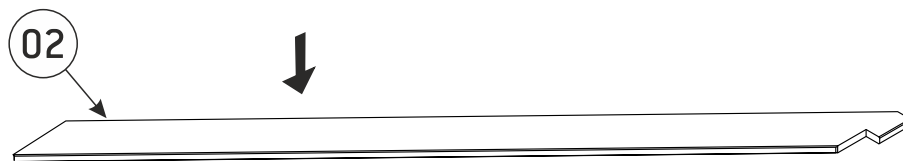
- A .....cm
- B.....cm
- C .....cm
- D .....cm
- E .....cm



## 1



2



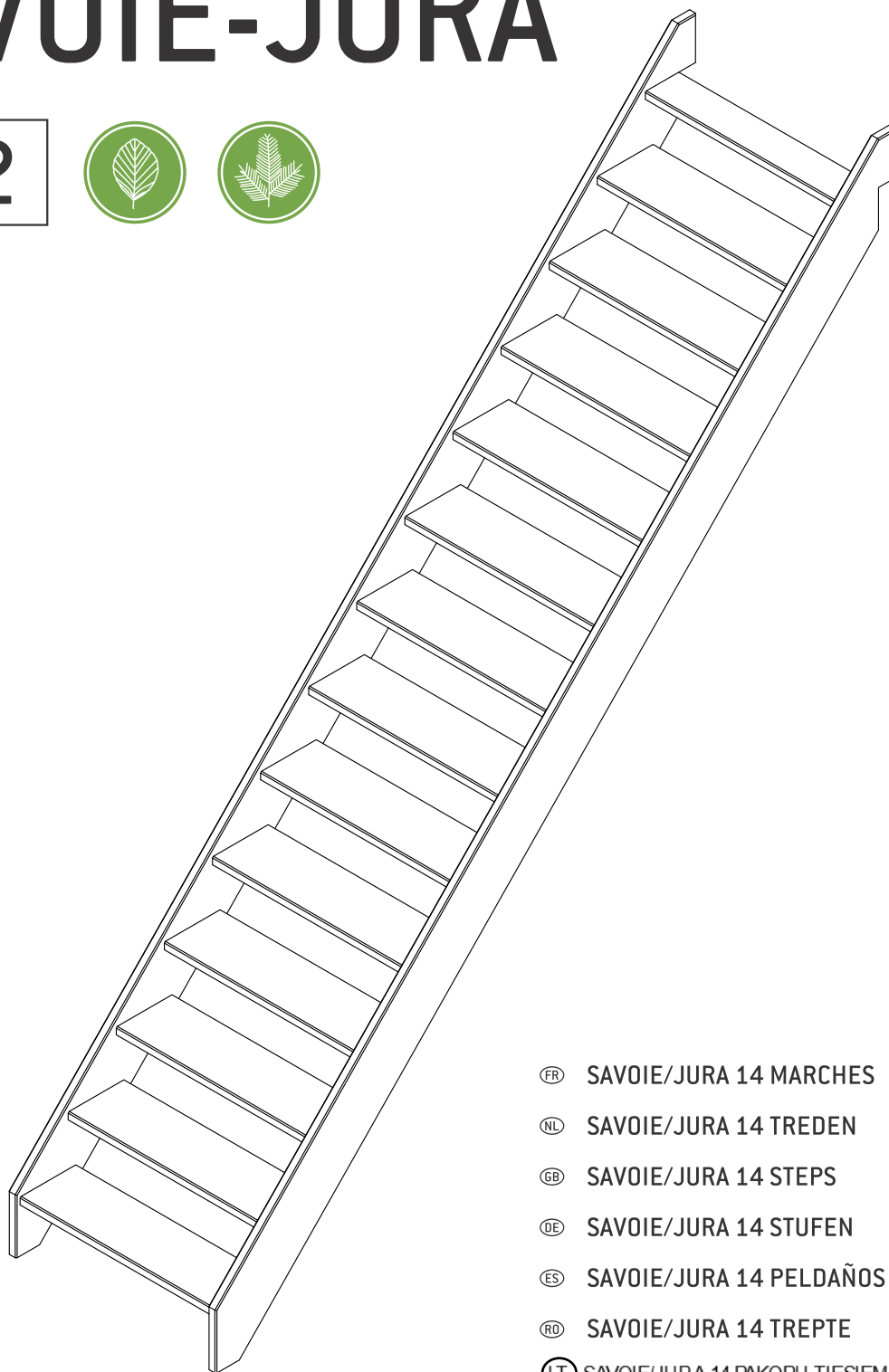
Producent: SOGEM Group, Rue Grimard, 39 B-6061 Montignies-Sur-Sambre (Charleroi) - Belgia  
 Dystrybutor: DOLLE Sp. z o.o., ul. Międzyrzeczka 149, 43-382 Bielsko-Biała, Polska  
 Tel. 33 827-24-90, E-mail: biuro@dolle.com

SO GEM

DOLLE®

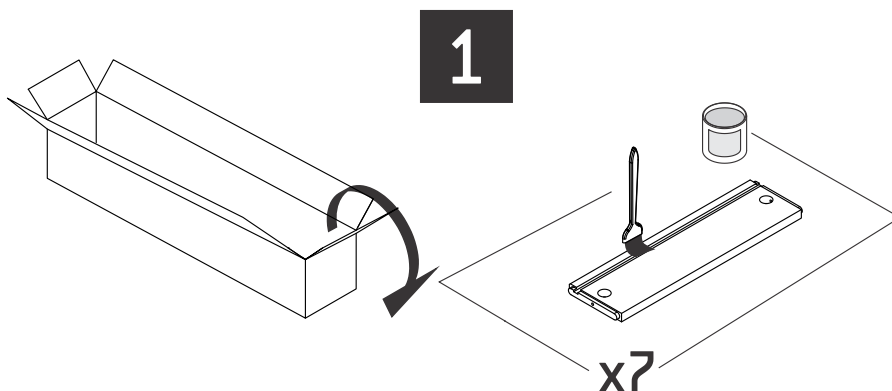
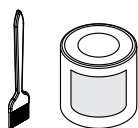
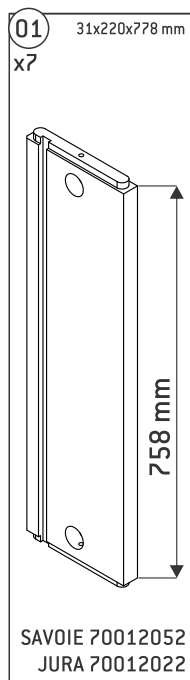
# SAVOIE-JURA

1 2



- FR SAVOIE/JURA 14 MARCHES
- NL SAVOIE/JURA 14 TREDEN
- GB SAVOIE/JURA 14 STEPS
- DE SAVOIE/JURA 14 STUFEN
- ES SAVOIE/JURA 14 PELDAÑOS
- RO SAVOIE/JURA 14 TREPTE
- LT SAVOIE/JURA 14 PAKOPŲ TIESIEMS LAIPTAMS
- PL SAVOIE/JURA 14 STOPNI

**1** **2**

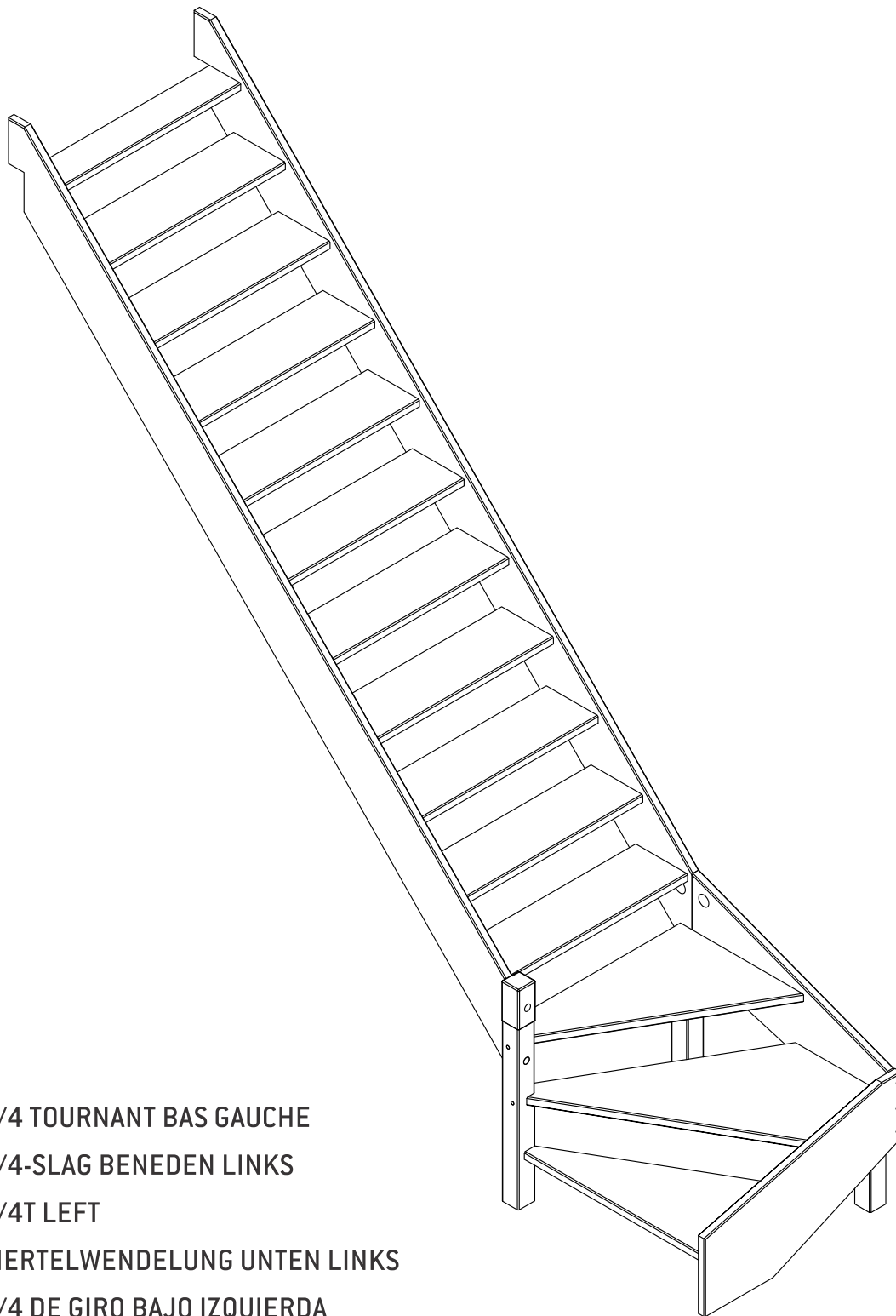


Producent: SOGEM Group, Rue Grimard, 39 B-6061 Montignies-Sur-Sambre (Charleroi) - Belgia  
 Dystrybucja: DOLLE Sp. z o.o., ul. Międzyrzecka 149, 43-382 Bielsko-Biała, Polska  
 Tel. 33 827-24-90, E-mail: biuro@dolle.com

SOGEM

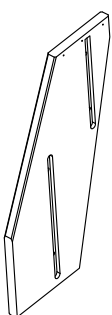
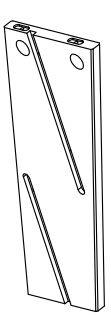
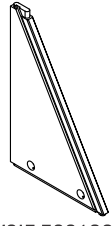
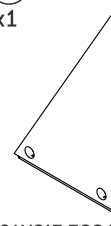
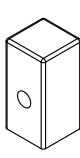
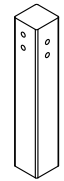
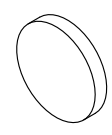
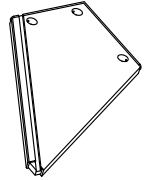
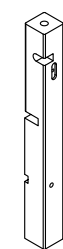






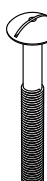
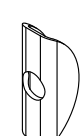








DOLLE

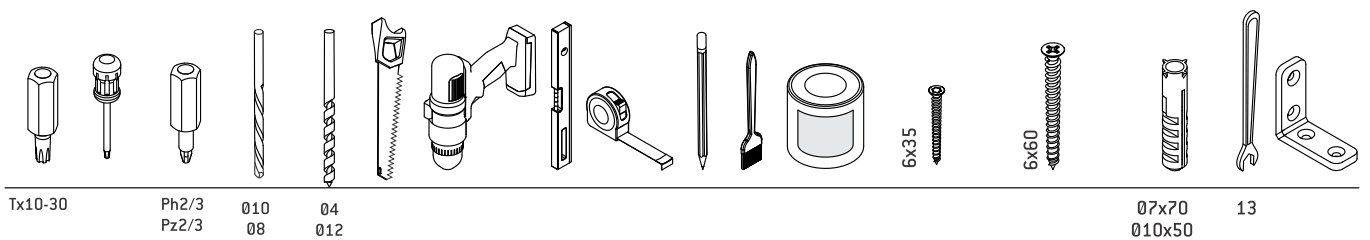
# SAVOIE-JURA



- Ⓡ FR SAVOIE/JURA 1/4 TOURNANT BAS GAUCHE
- Ⓡ NL SAVOIE/JURA 1/4-SLAG BENEDEN LINKS
- Ⓡ GB SAVOIE/JURA 1/4T LEFT
- Ⓡ DE SAVOIE/JURA VIERTELWENDELUNG UNTEN LINKS
- Ⓡ ES SAVOIE/JURA 1/4 DE GIRO BAJO IZQUIERDA
- Ⓡ RO SAVOIE/JURA 1/4 T STANGA JOS
- Ⓡ LT SAVOIE/JURA APATINIS 1/4 POSŪKISĮ KAIRĖ
- Ⓡ PL SAVOIE/JURA ZABIEG 1/4 LEWY

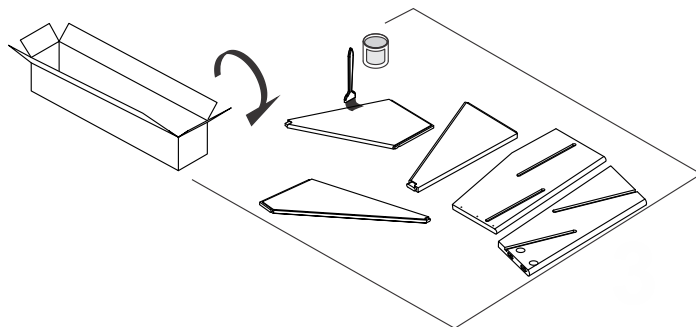
## SAVOIE+JURA QT BAS GAUCHE

<p>01 31x483x836 mm x1</p>  <p>SAVOIE 70012057 JURA 70012027</p>	<p>02 31x563x828 mm x1</p>  <p>SAVOIE 70012058 JURA 70012028</p>	<p>03 31x523x782 mm x1</p>  <p>SAVOIE 70012059 JURA 70012029</p>	<p>05 31x482x782 mm x1</p>  <p>SAVOIE 70012060 JURA 70012030</p>	<p>07 70x70x140 mm x1</p> 	<p>09 70x70x367 mm x1</p> 	<p>11 040 x 6 mm x11+1</p> 
		<p>04 31x752x827 mm x1</p>  <p>SAVOIE 70012061 JURA 70012031</p>	<p>06 70x70x663,5 mm x1</p>  <p>SAVOIE 70012062 JURA 70012032</p>	<p>08 70x70x563 mm x1</p> 	<p>10 020 x 50 mm x1</p> 	<p>12 020 x 6 mm x2</p> 
<p>13 012 x 6 mm x12</p> 	<p>14 08 x 110 mm x1</p> 	<p>15 08 x 70 mm x8</p> 	<p>16 08 x 70 mm x1</p> 	<p>17 1.5x11x18.6mm x11</p> 	<p>18 M8 x11</p> 	
<p>19 05x60 mm x12+2</p>  <p>70031053</p>	<p>20 08 x 110 mm x1</p> 					    

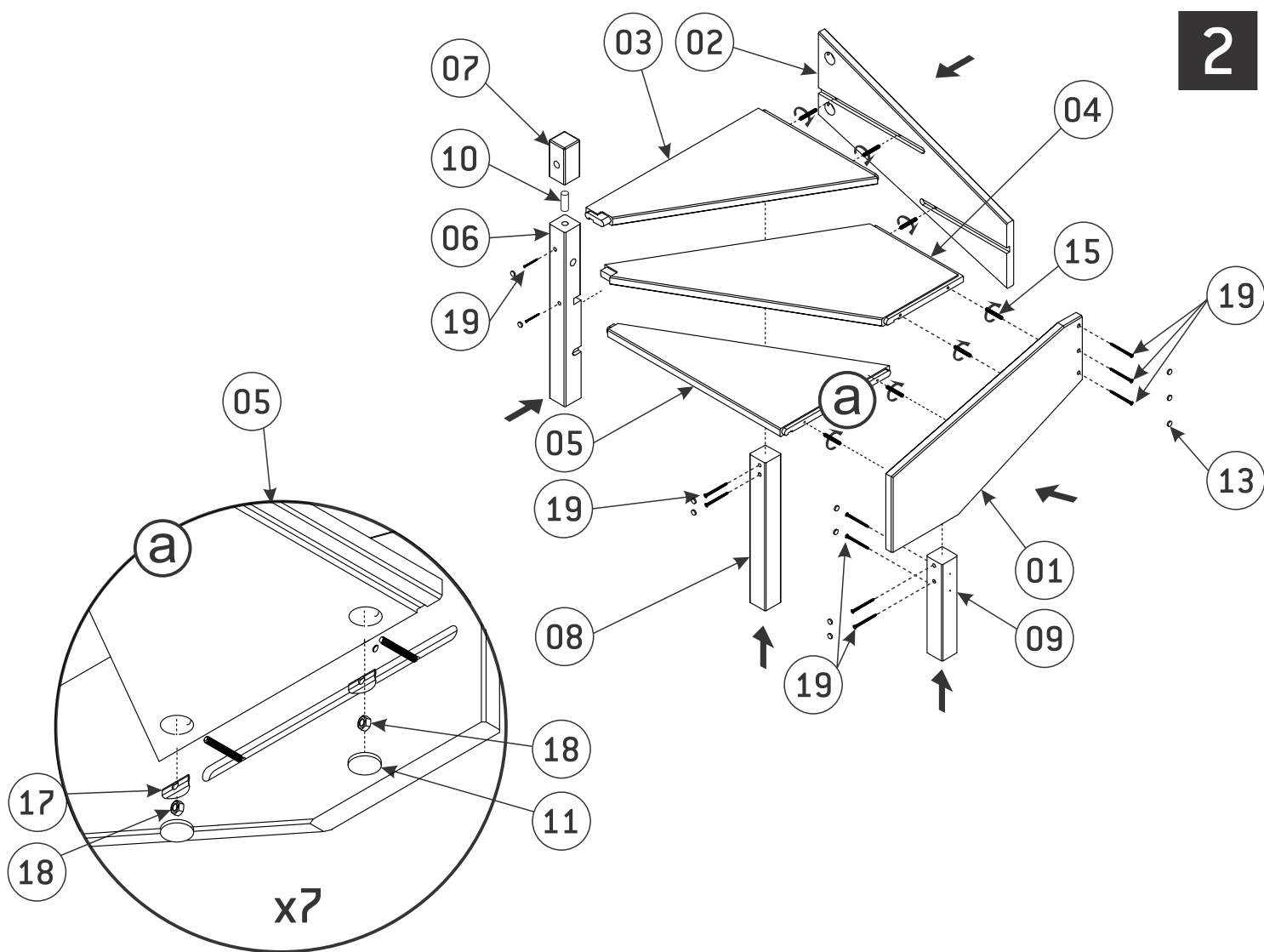


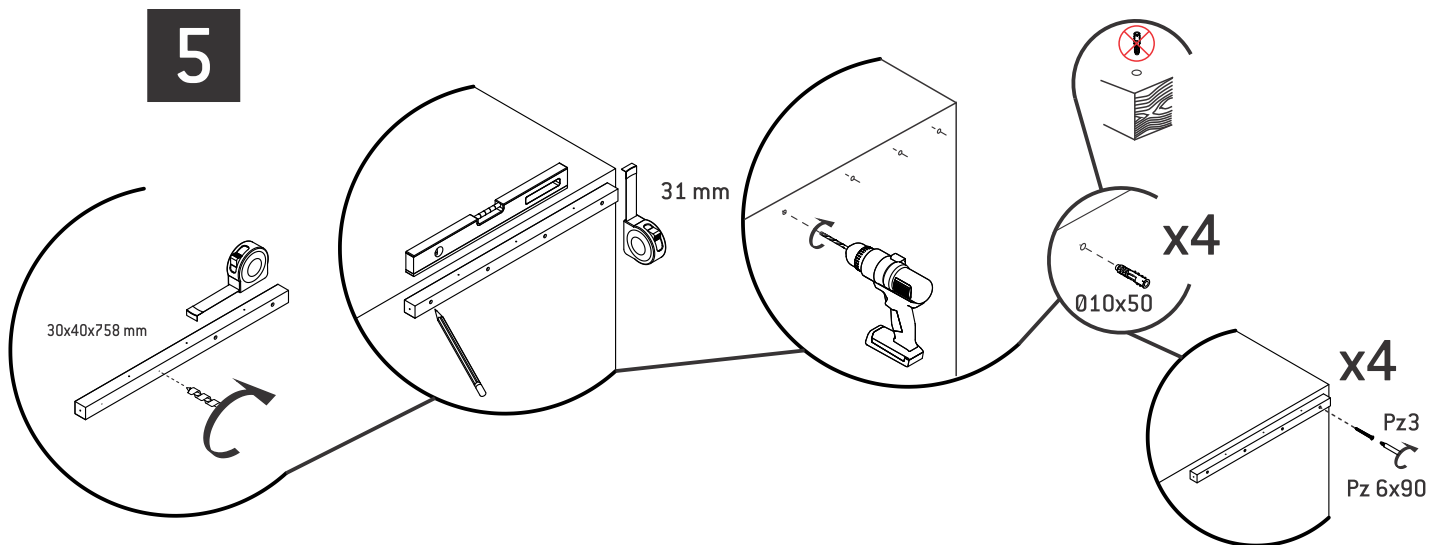
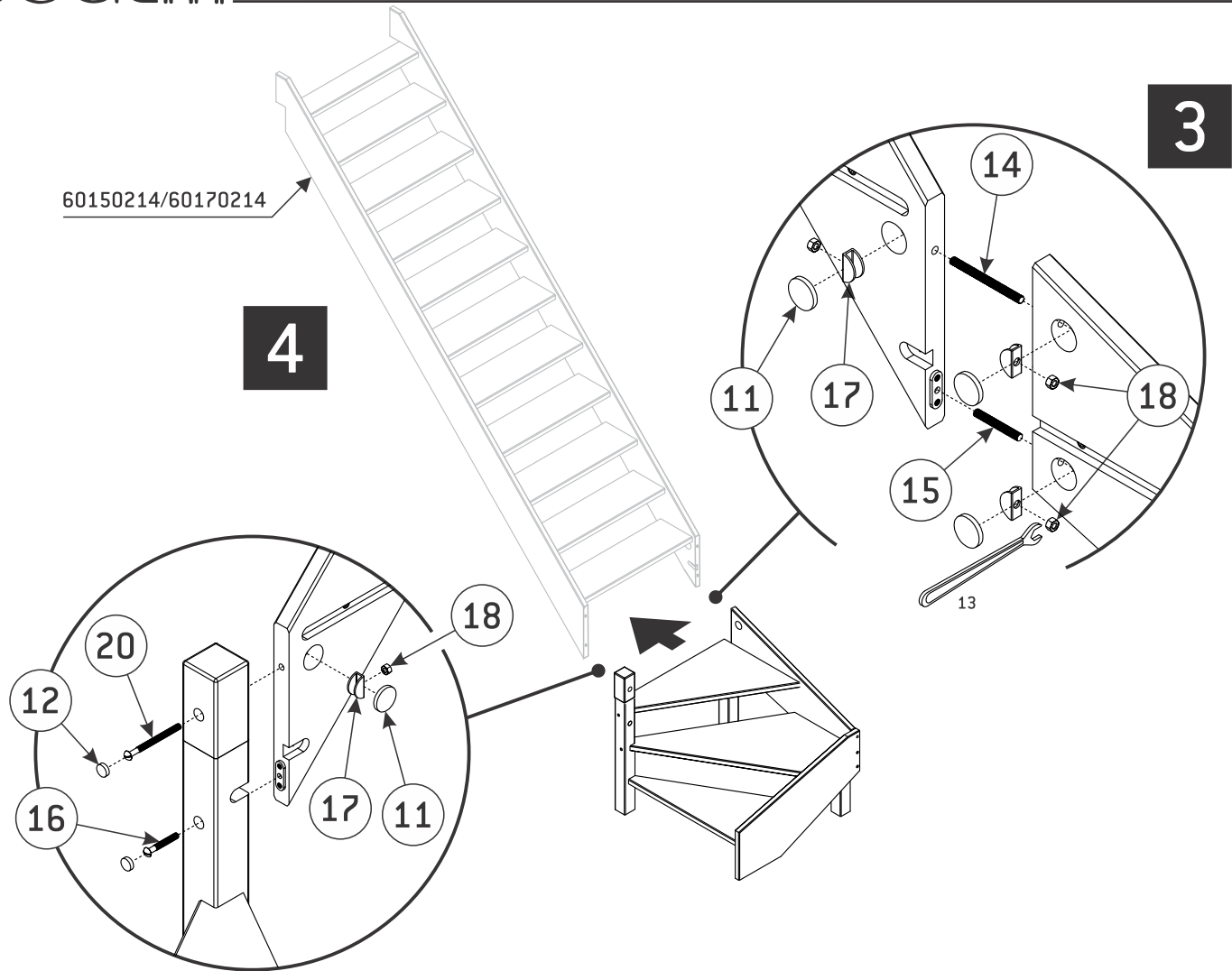


1

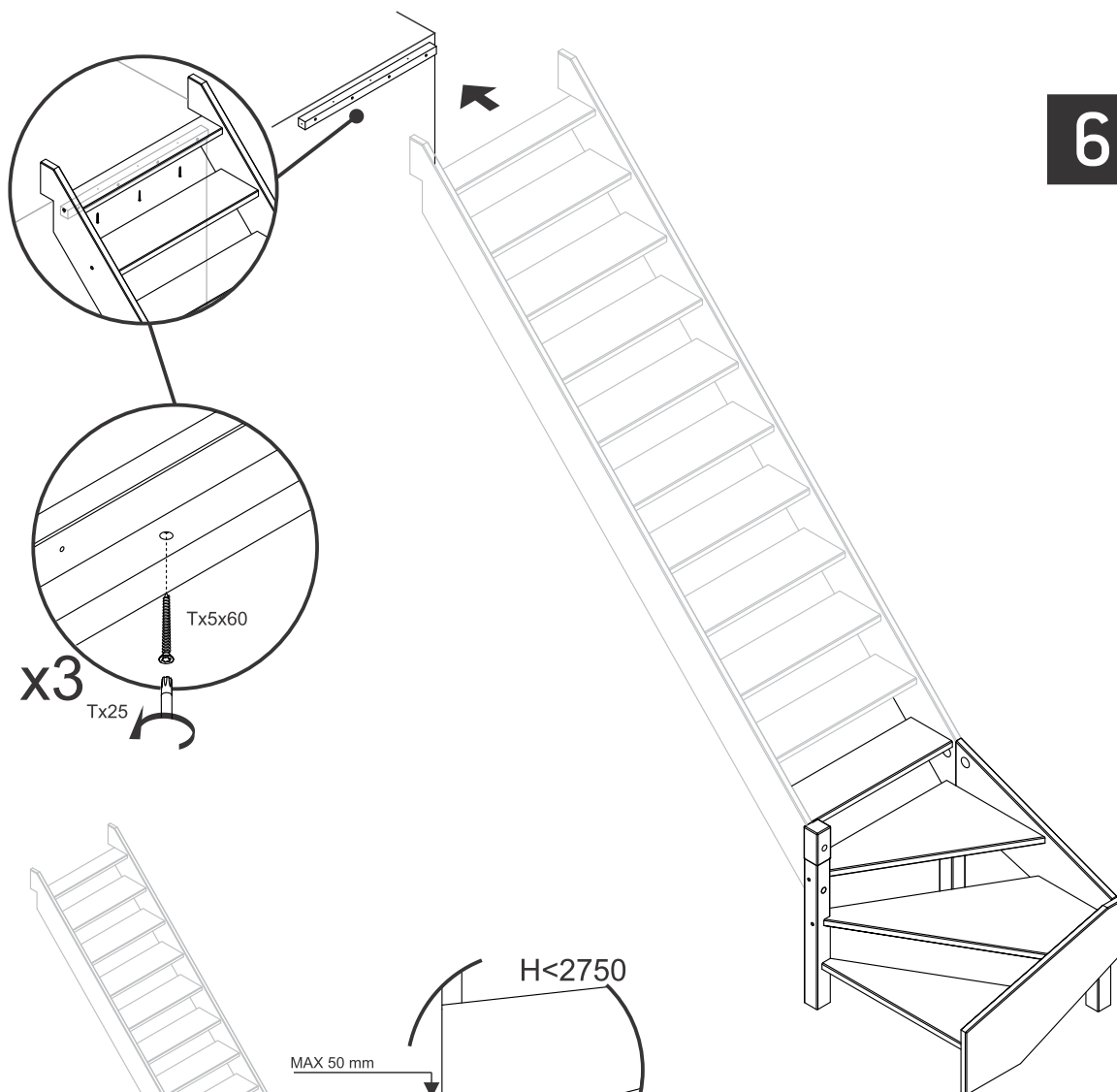


2

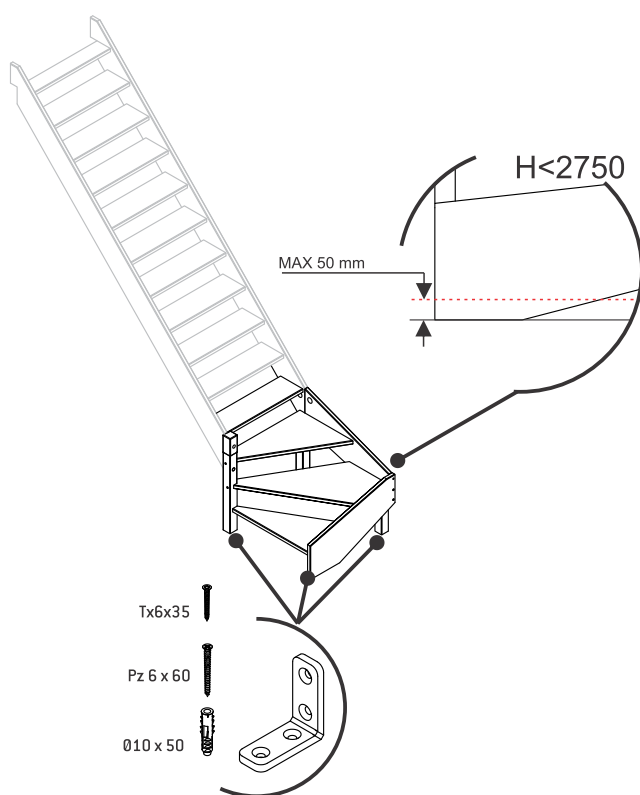




6



7

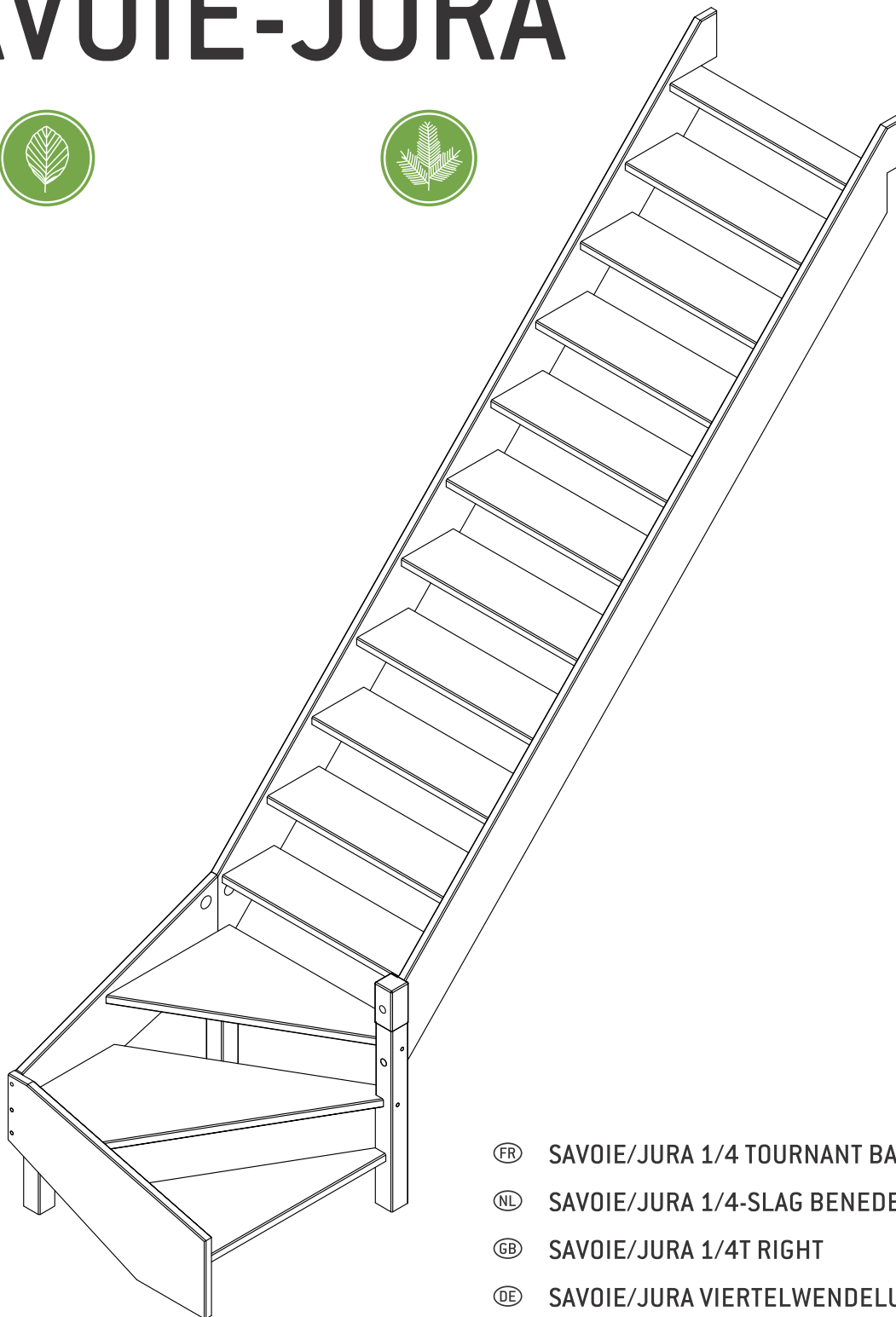


Producent: SOGEM Group, Rue Grimard, 39 B-6061 Montignies-Sur-Sambre (Charleroi) - Belgia  
 Dystrybucja: DOLLE Sp. z o.o., ul. Międzyrzecka 149, 43-382 Bielsko-Biała, Polska  
 Tel. 33 827-24-90, E-mail: biuro@dolle.com

SOGEM

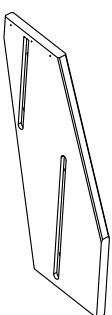

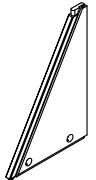
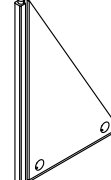
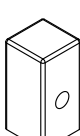
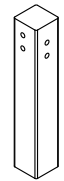
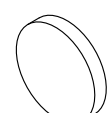
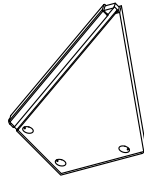
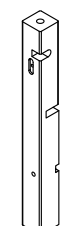

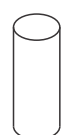




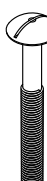
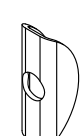



DOLLE®

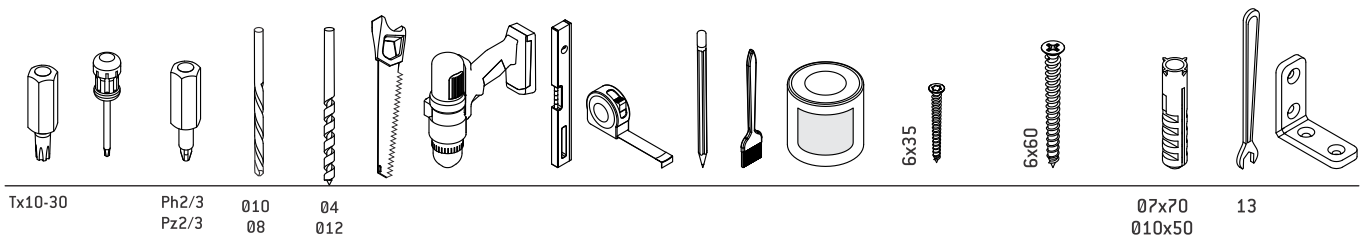
# SAVOIE-JURA



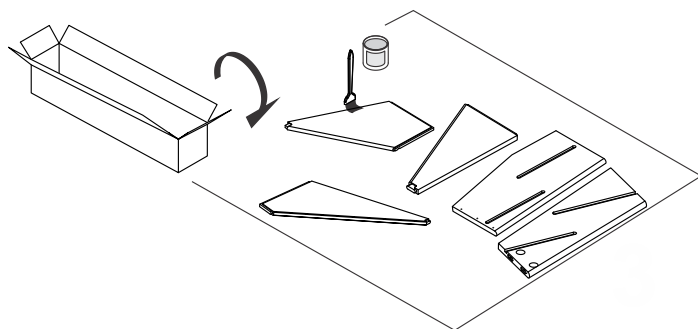
PL SAVOIE/JURA ZABIEG 1/4 PRAWY

- FR SAVOIE/JURA 1/4 TOURNANT BAS DROITE
- NL SAVOIE/JURA 1/4-SLAG BENEDEN RECHTS
- GB SAVOIE/JURA 1/4T RIGHT
- DE SAVOIE/JURA VIERTELWENDELUNG UNTEN RECHTS
- ES SAVOIE/JURA 1/4 DE GIRO BAJO DERECHA
- RO SAVOIE/JURA 1/4 T DREAPTA JOS
- LT SAVOIE/JURA APATINIS 1/4 POSŪKIS Į DEŠINĘ

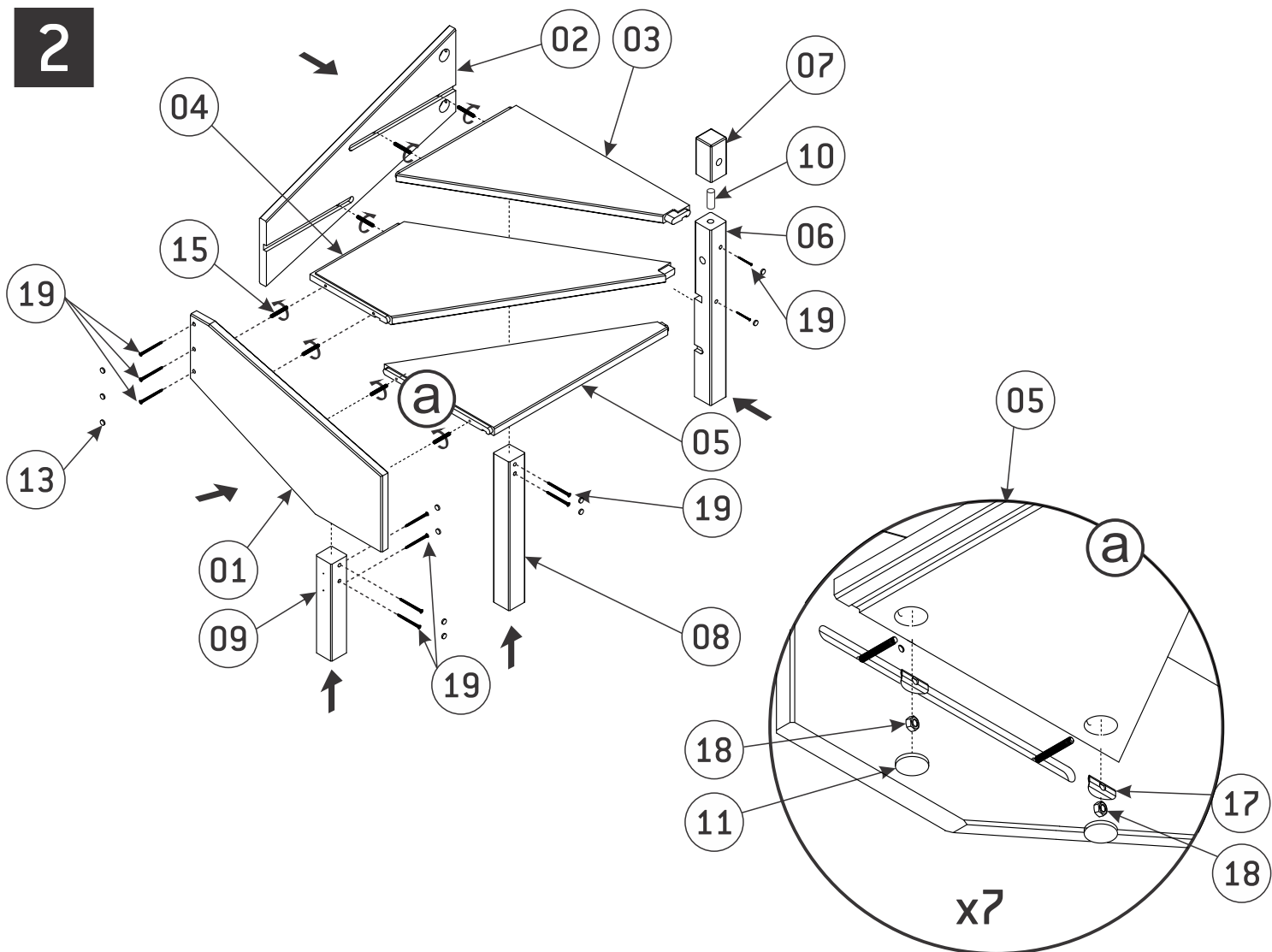
<p>01 31x483x836 mm x1</p>  <p>SAVOIE 70012063 JURA 70012033</p>	<p>02 31x563x828 mm x1</p>  <p>SAVOIE 70012064 JURA 70012034</p>	<p>03 31x523x782 mm x1</p>  <p>SAVOIE 70012065 JURA 70012035</p>	<p>05 31x482x782 mm x1</p>  <p>SAVOIE 70012066 JURA 70012036</p>	<p>07 70x70x140 mm x1</p> 	<p>09 70x70x367 mm x1</p> 	<p>11 040 x 6 mm x11+1</p> 
		<p>04 31x752x827 mm x1</p>  <p>SAVOIE 70012067 JURA 70012037</p>	<p>06 70x70x663,5 mm x1</p>  <p>SAVOIE 70012068 JURA 70012038</p>	<p>08 70x70x563 mm x1</p> 	<p>10 020 x 50 mm x1</p> 	<p>12 020 x 6 mm x2</p> 
<p>13 012 x 6 mm x12</p> 	<p>14 08 x 110 mm x1</p> 	<p>15 08 x 70 mm x8</p> 	<p>16 08 x 70 mm x1</p> 	<p>17 1.5x11x18.6mm x11</p> 	<p>18 M8 x11</p> 	
<p>19 05x60 mm x12+2</p>  <p>70031053</p>	<p>20 08 x 110 mm x1</p> 					



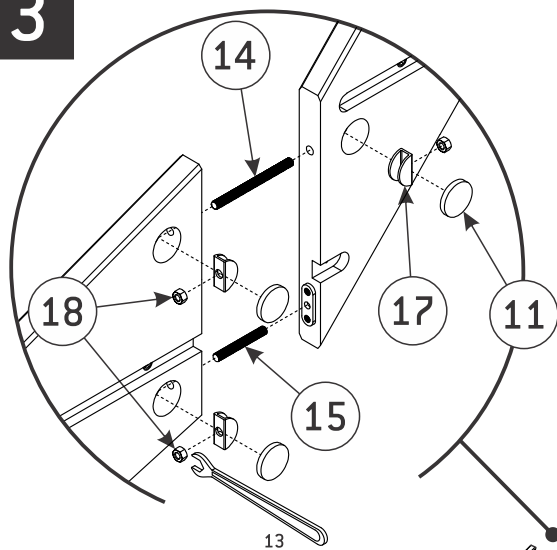
1



2

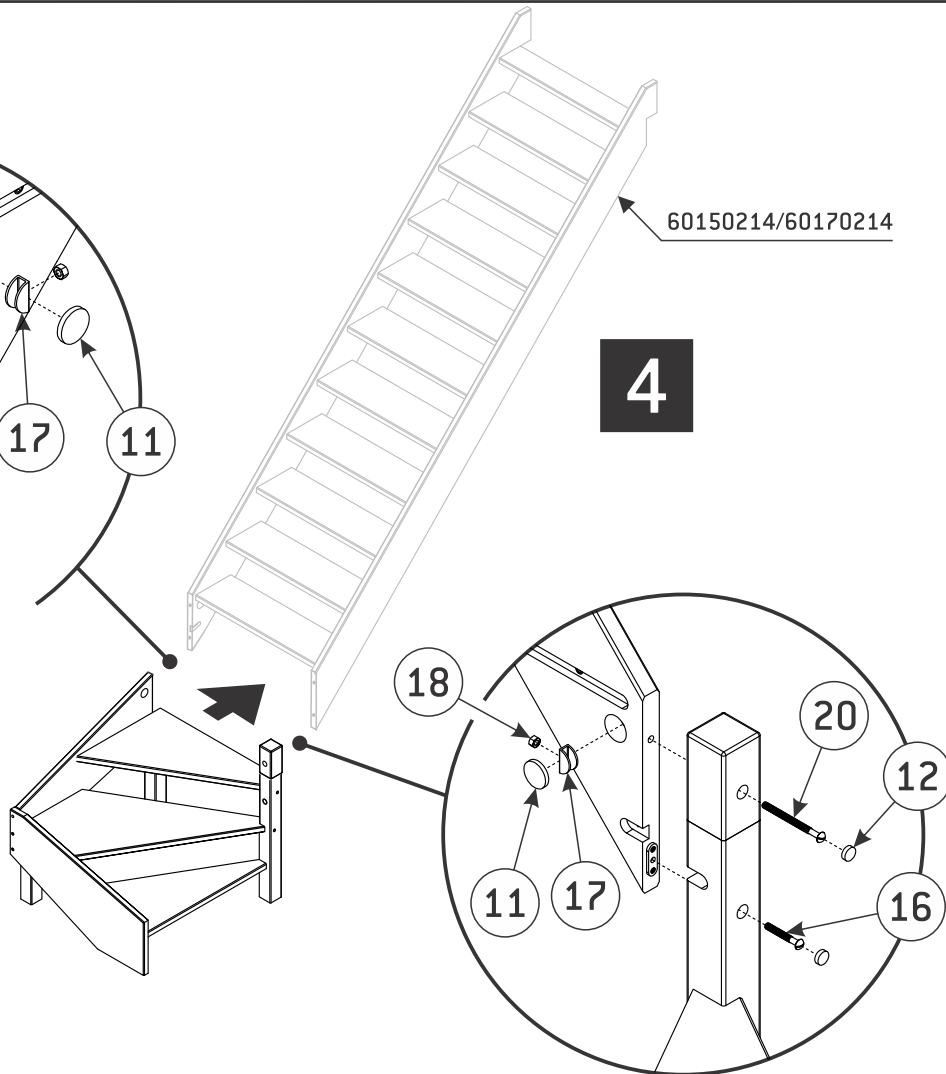


**3**

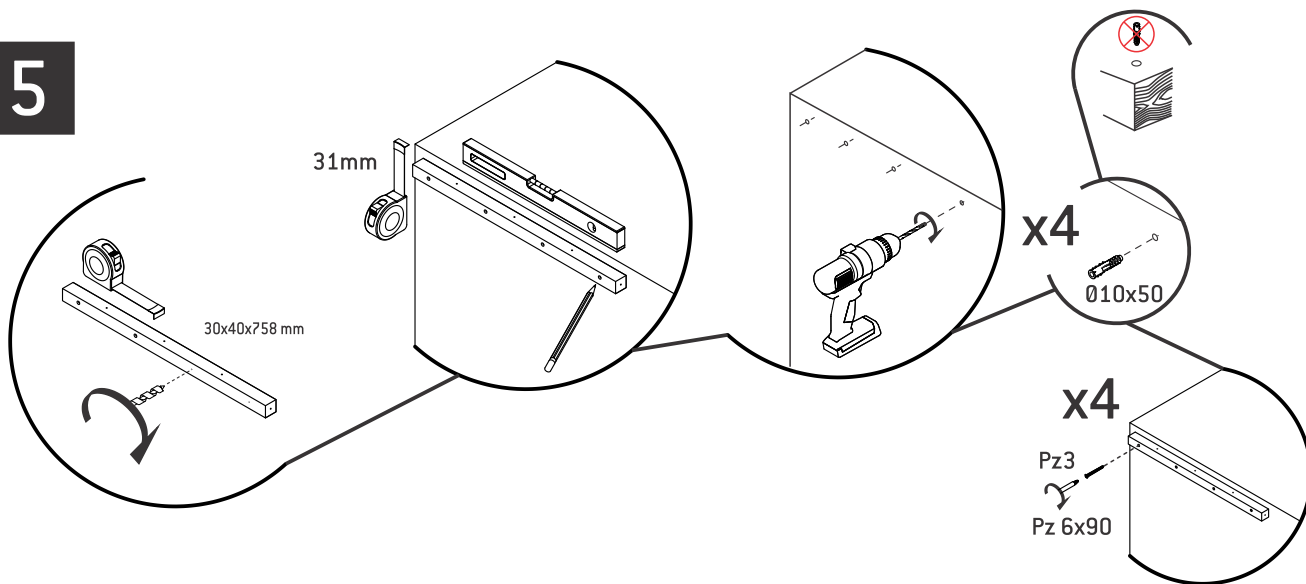


60150214/60170214

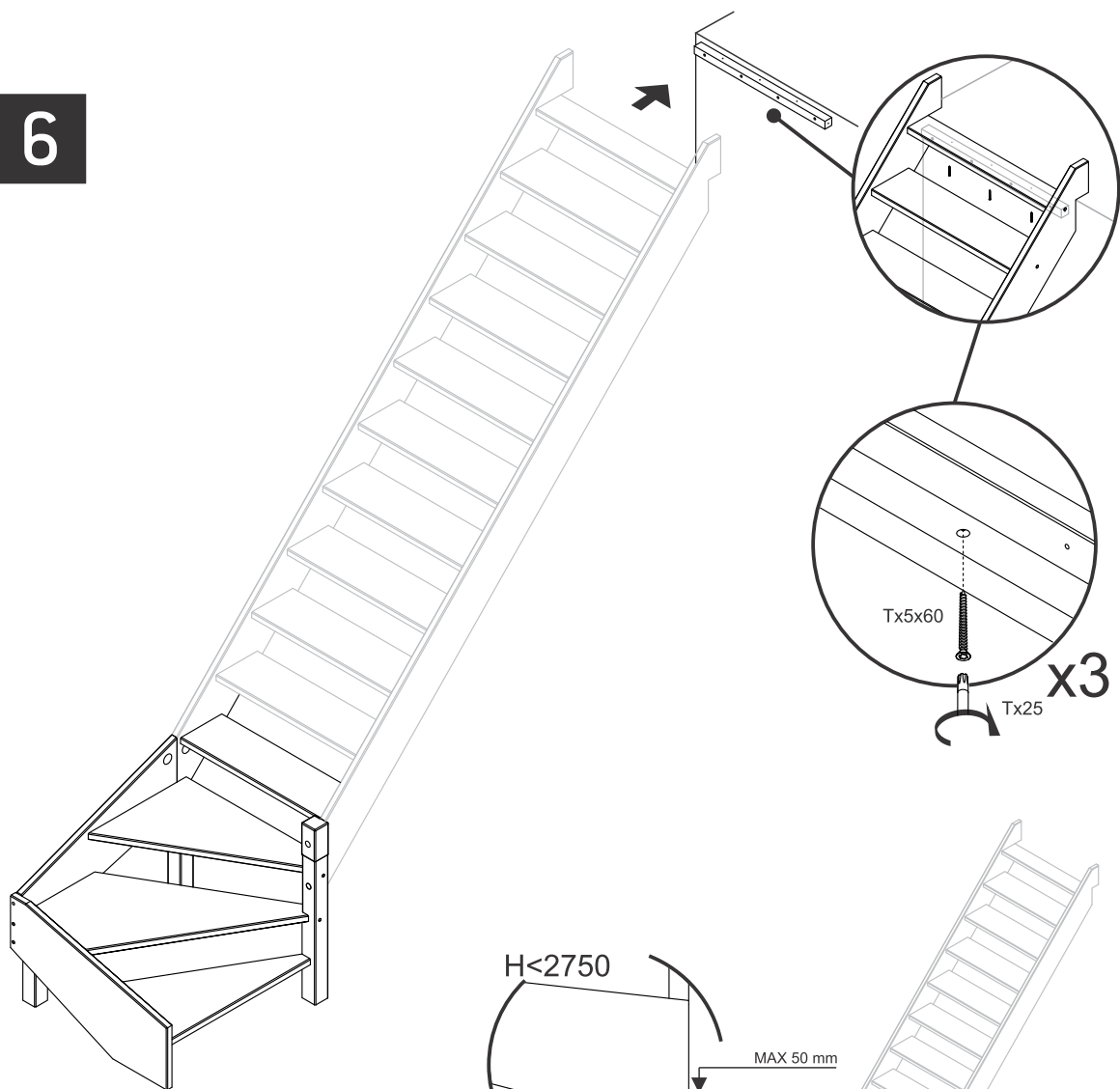
**4**



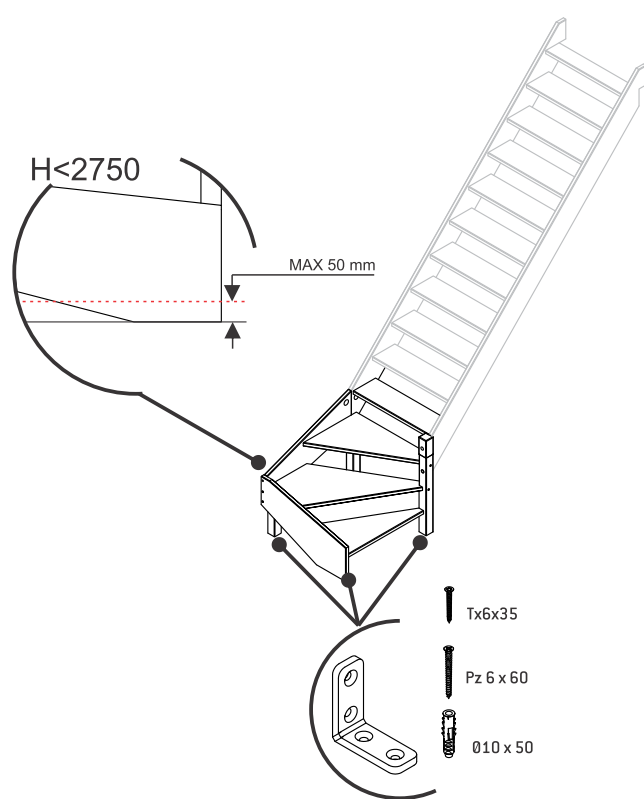
**5**



6



7



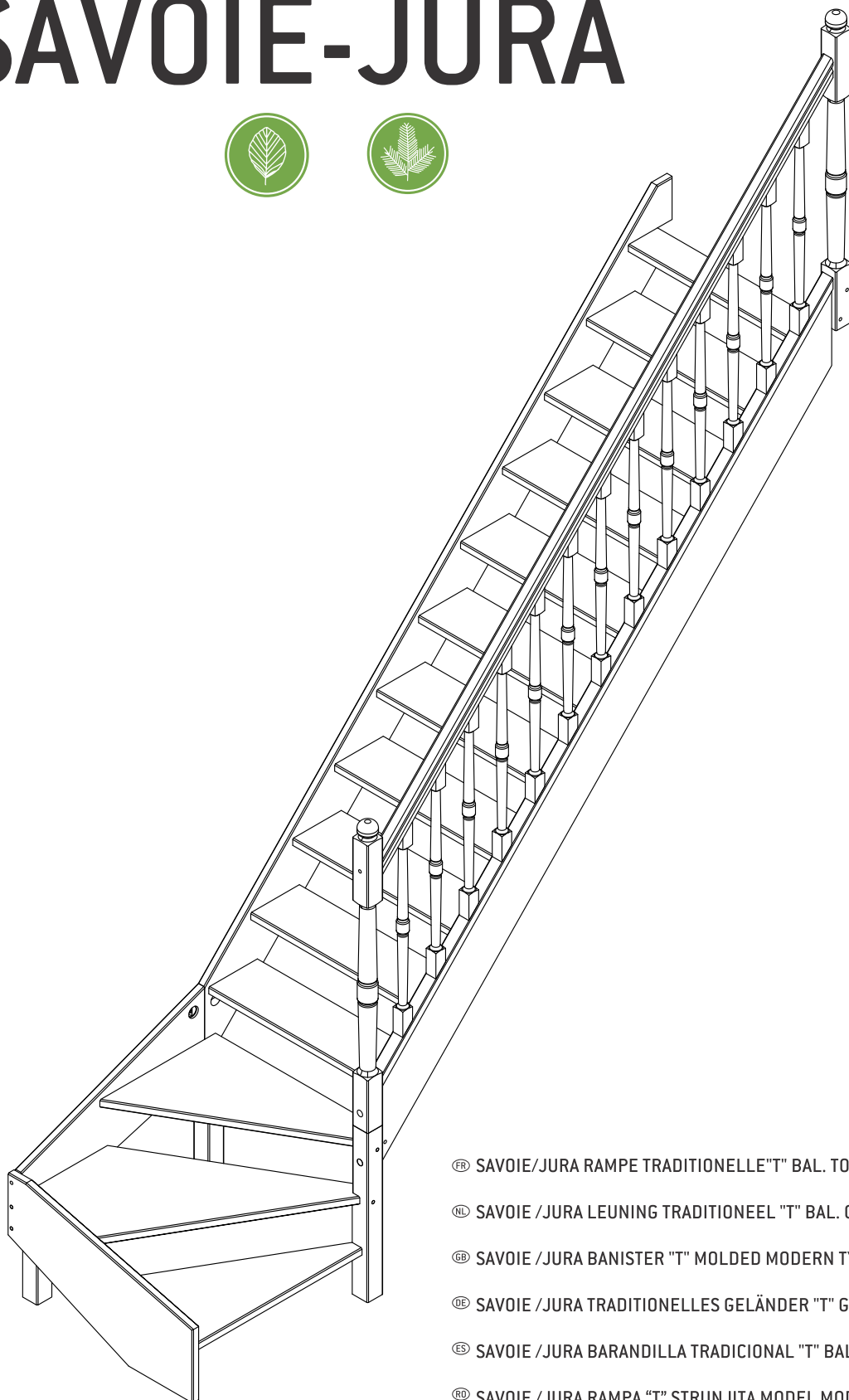
Producent: SOGEM Group, Rue Grimard, 39 B-6061 Montignies-Sur-Sambre (Charleroi) - Belgia  
 Dystrybucja: DOLLE Sp. z o.o., ul. Międzyrzecka 149, 43-382 Bielsko-Biała, Polska  
 Tel. 33 827-24-90, E-mail: biuro@dolle.com



SOGEM

DOLLE®

# SAVOIE-JURA



PL SAVOIE/JURA BALUSTRADA TYP T

FR SAVOIE/JURA RAMPE TRADITIONELLE "T" BAL. TOURNEES ESC. 1/4 TOURNANT

NL SAVOIE /JURA LEUNING TRADITIONEEL "T" BAL. GEDRAAID 1/4-SLAG

GB SAVOIE /JURA BANISTER "T" MOLDED MODERN TYPE 1/4T STAIRCASE

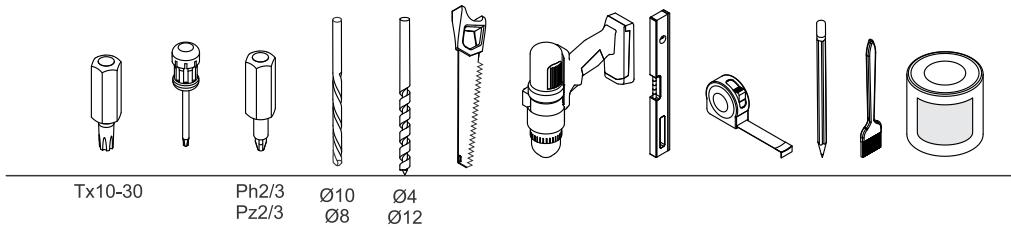
DE SAVOIE /JURA TRADITIONELLES GELÄNDER "T" GEDREHTE STÄBE GEWENDELTE TREPPE

ES SAVOIE /JURA BARANDILLA TRADICIONAL "T" BALAUSTRES TORNEADOS ESC. 1/4 DE GIRO

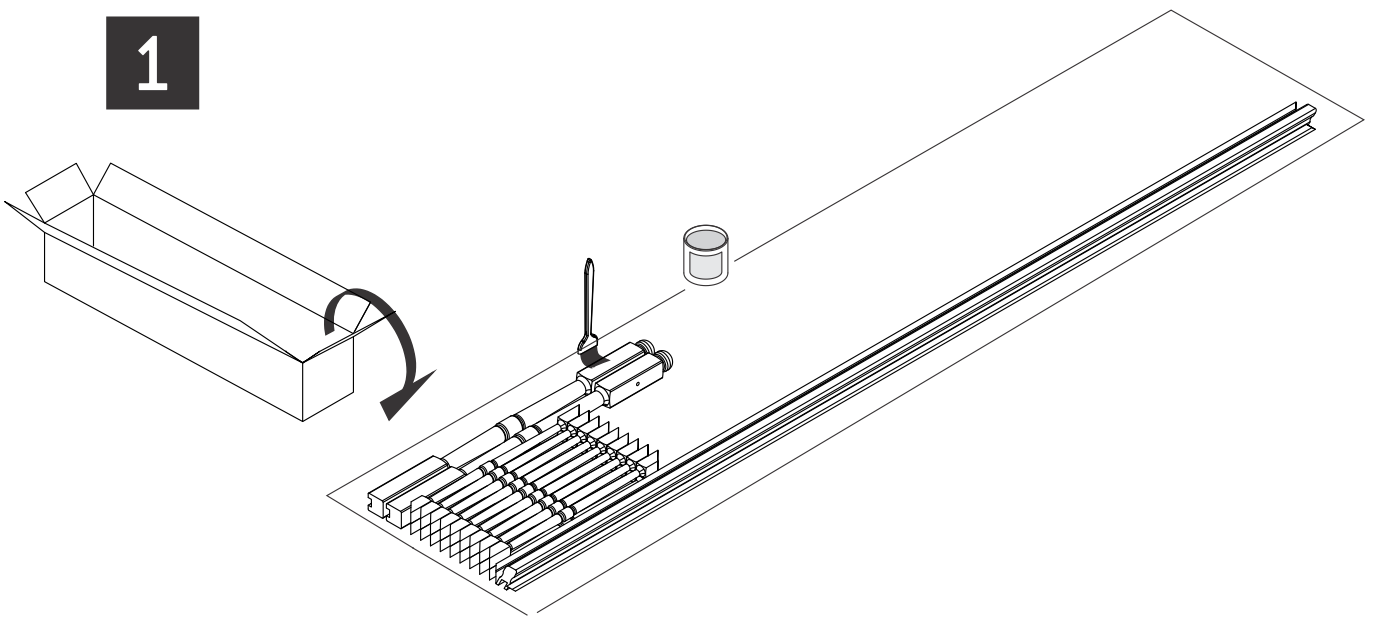
RO SAVOIE /JURA RAMPA "T" STRUNJITA MODEL MODERN SCARA 1/4 T

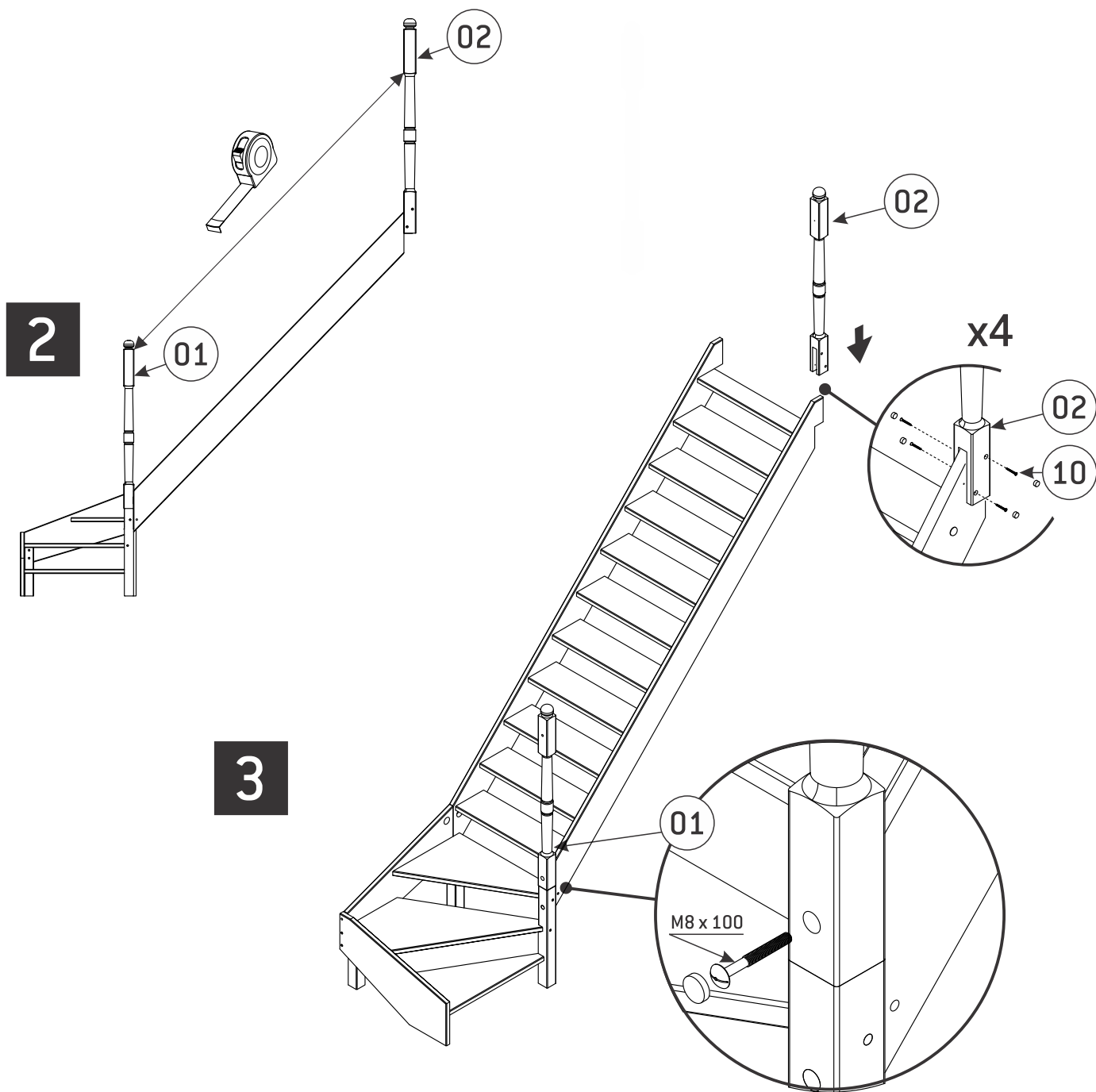
LT SAVOIE/JURA TURÉKLAS "T" LAIPTAMS SU KETVRČIO POSŪKIU

<b>01</b> 70x70x1189 mm x1 	<b>02</b> 70x70x1214 mm x1 	<b>03</b> 44x44x831 mm x13 	<b>04</b> 50x50x3150 mm x1 	<b>05</b> 32x54x3150 x1 	<b>06</b> 26x16x3150 mm x1 	<b>07</b> 16x25x168 mm x2 	<b>08</b> Ø12x6 mm x9+2 	<b>09</b> Ø4x45 mm x3+2 	<b>10</b> Ø4x40 mm x46+2 	<b>11</b> Ø5x60 mm x2+1 
-----------------------------------	-----------------------------------	-----------------------------------	-----------------------------------	--------------------------------	-----------------------------------	----------------------------------	--------------------------------	--------------------------------	---------------------------------	--------------------------------

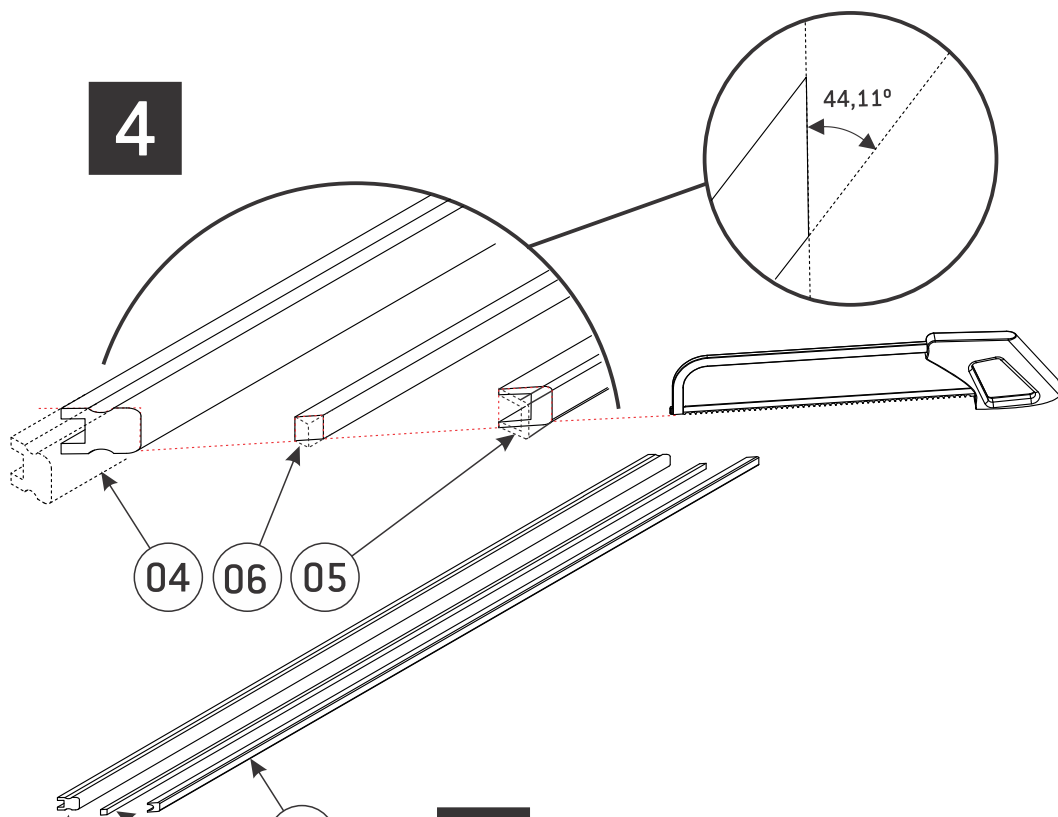


**1**

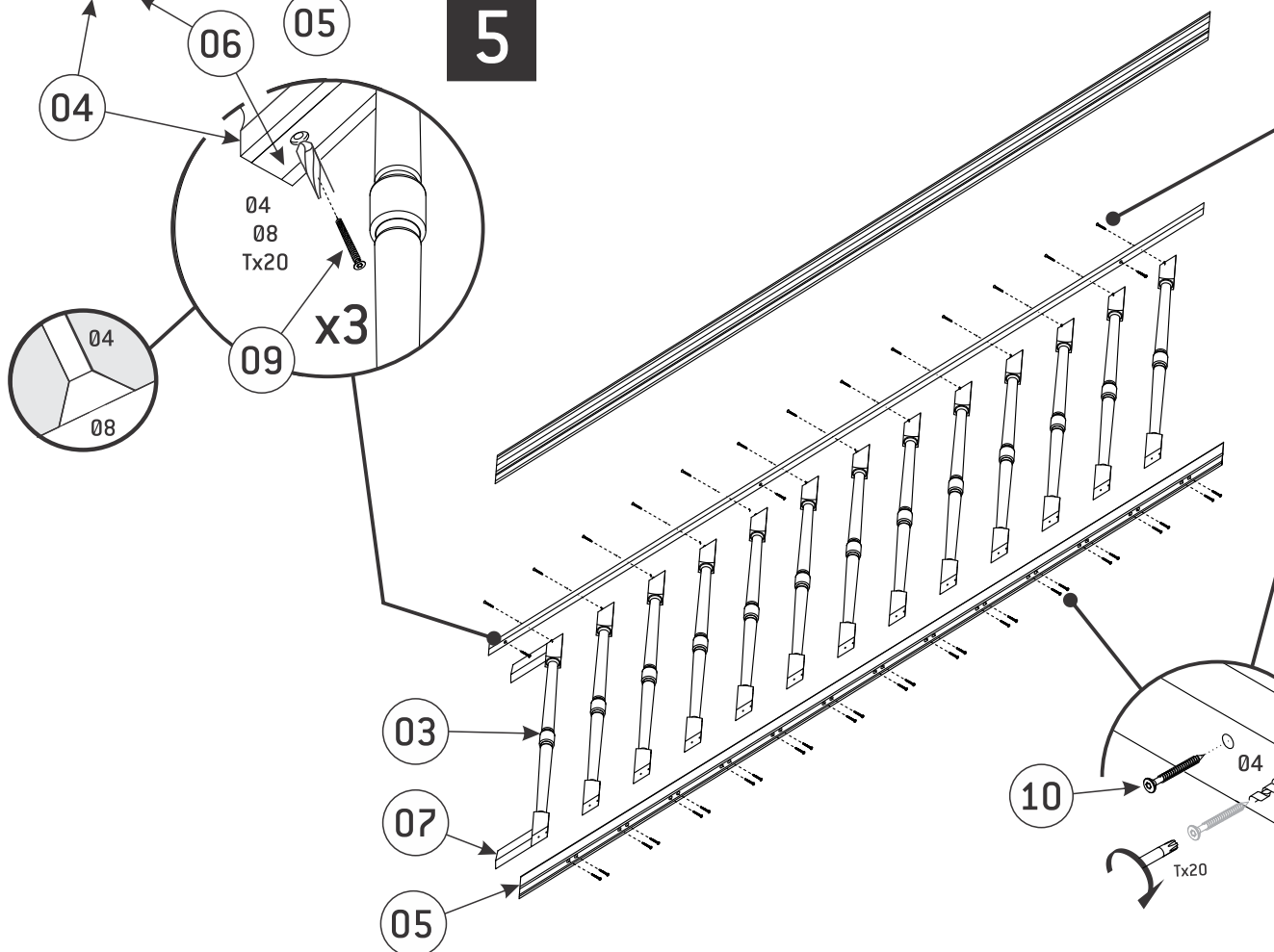




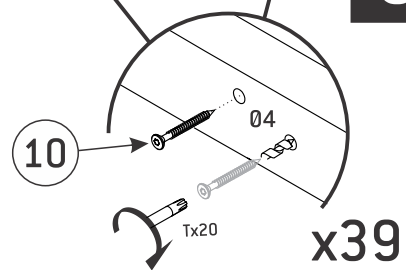
4

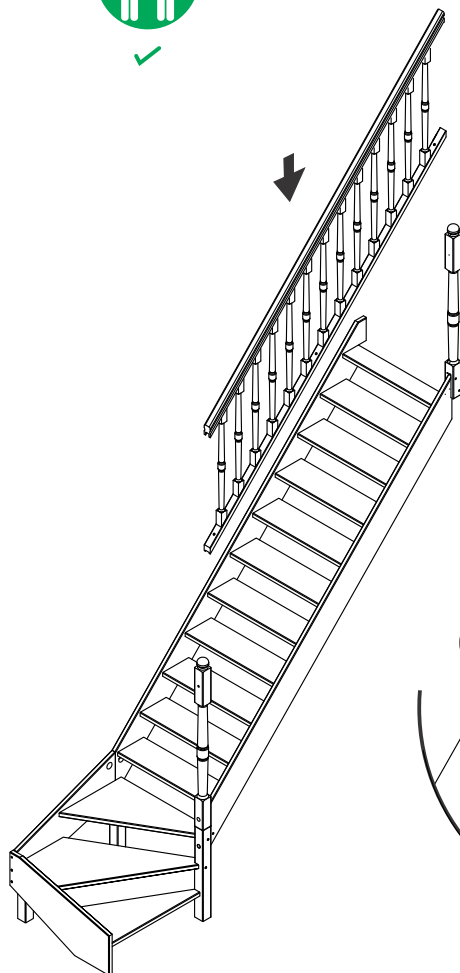


5

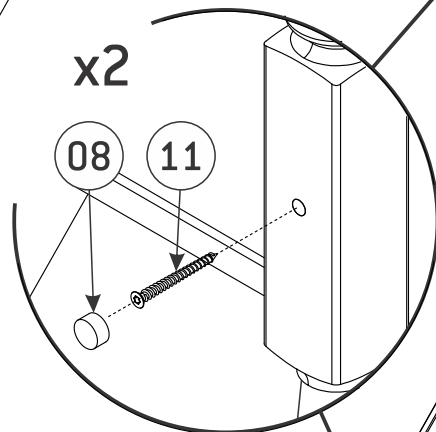


6

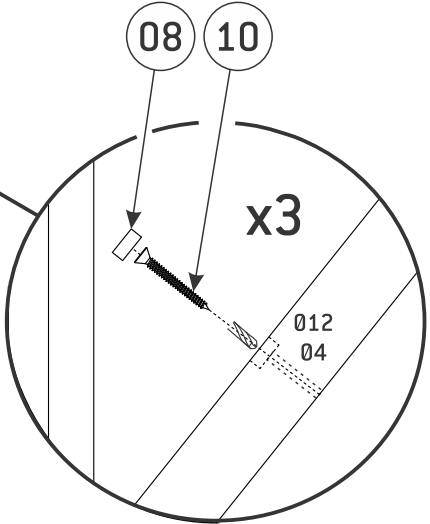
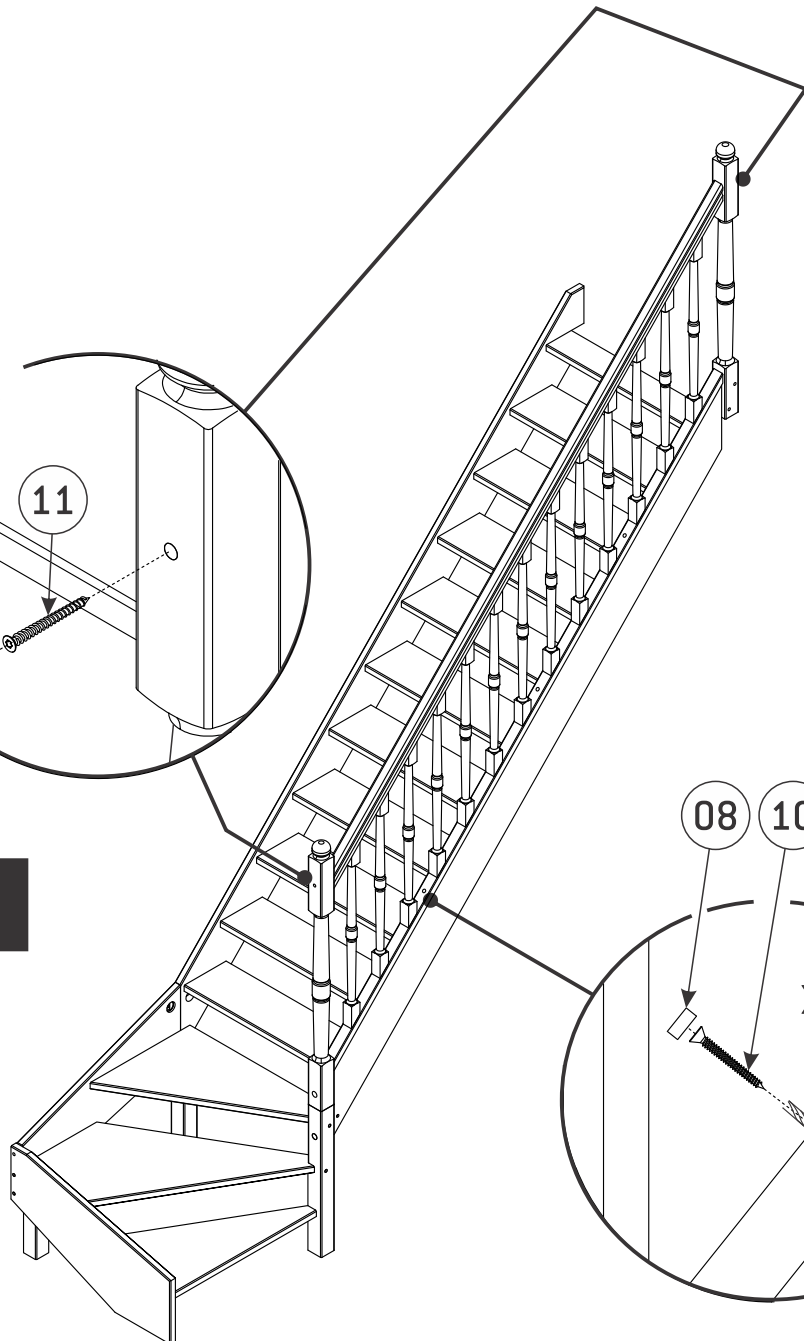




6

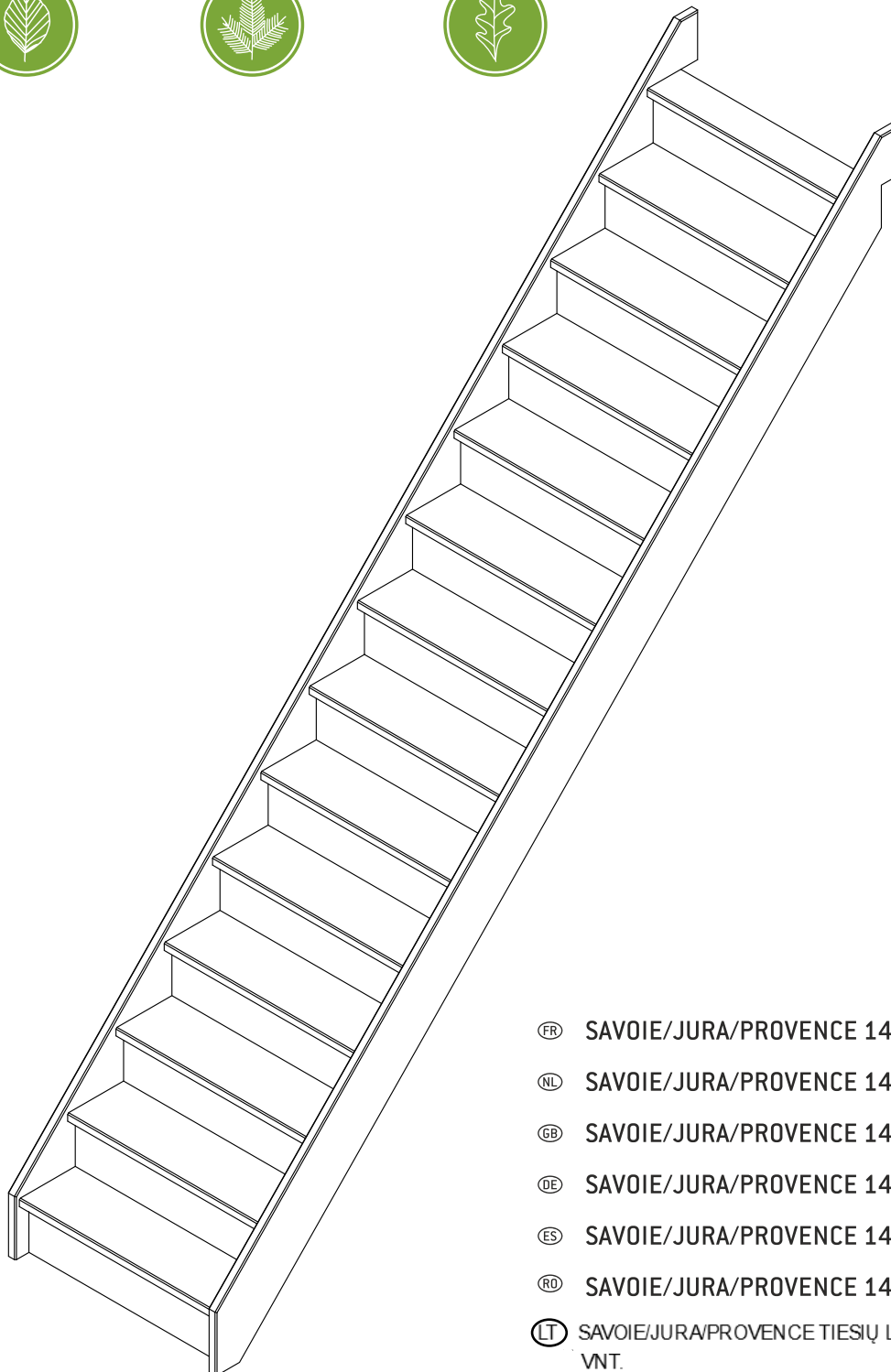


7

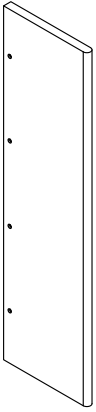
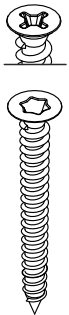



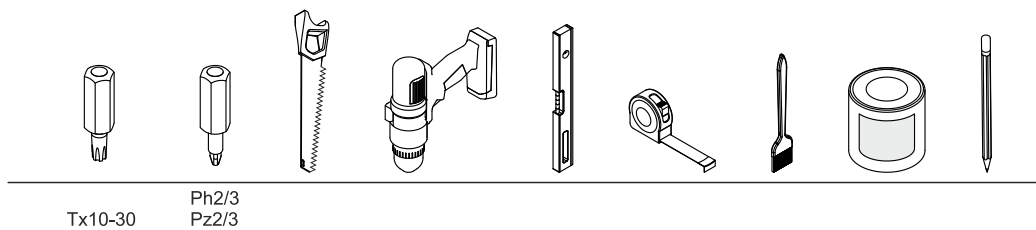
Producent: SOGEM Group, Rue Grimard, 39 B-6061 Montignies-Sur-Sambre (Charleroi) - Belgia  
 Dystrybucja: DOLLE Sp. z o.o., ul. Międzyrzecka 149, 43-382 Bielsko-Biała, Polska  
 Tel. 33 827-24-90, E-mail: biuro@dolle.com

# SAVOIE-JURA-PROVENCE



- Ⓡ SAVOIE/JURA/PROVENCE 14 CONTREMARCHE
- Ⓡ SAVOIE/JURA/PROVENCE 14 TEGENTREDEN
- Ⓡ SAVOIE/JURA/PROVENCE 14 RISERS STAIRCASE
- Ⓡ SAVOIE/JURA/PROVENCE 14 SETZSTUFEN
- Ⓡ SAVOIE/JURA/PROVENCE 14 CONTRAHUELLAS
- Ⓡ SAVOIE/JURA/PROVENCE 14 CONTRATREPTA SCARA
- Ⓡ SAVOIE/JURA/PROVENCE TIESIŲ LAIPTŲ PAKOPŲ UŽDENGIMAI. 14 VNT.
- Ⓡ SAVOIE/JURA/PROVENCE 14 PODSTOPNI T

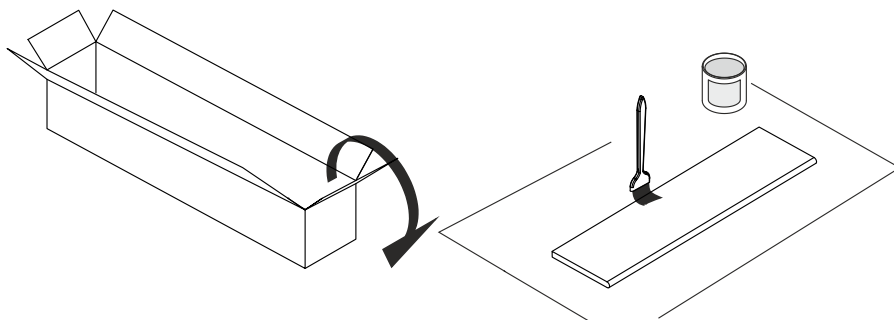
<p><b>01</b> 18x206x770 mm x14</p>  <p>PROVENCE 70012083 SAVOIE 70012053 JURA 70012023</p>	<p><b>02</b> 04 x 40 mm x52+2</p>  <p>70031054</p>	<p><b>03</b> 04 x 35 mm x8</p>  <p>70031050</p>
---	---	---



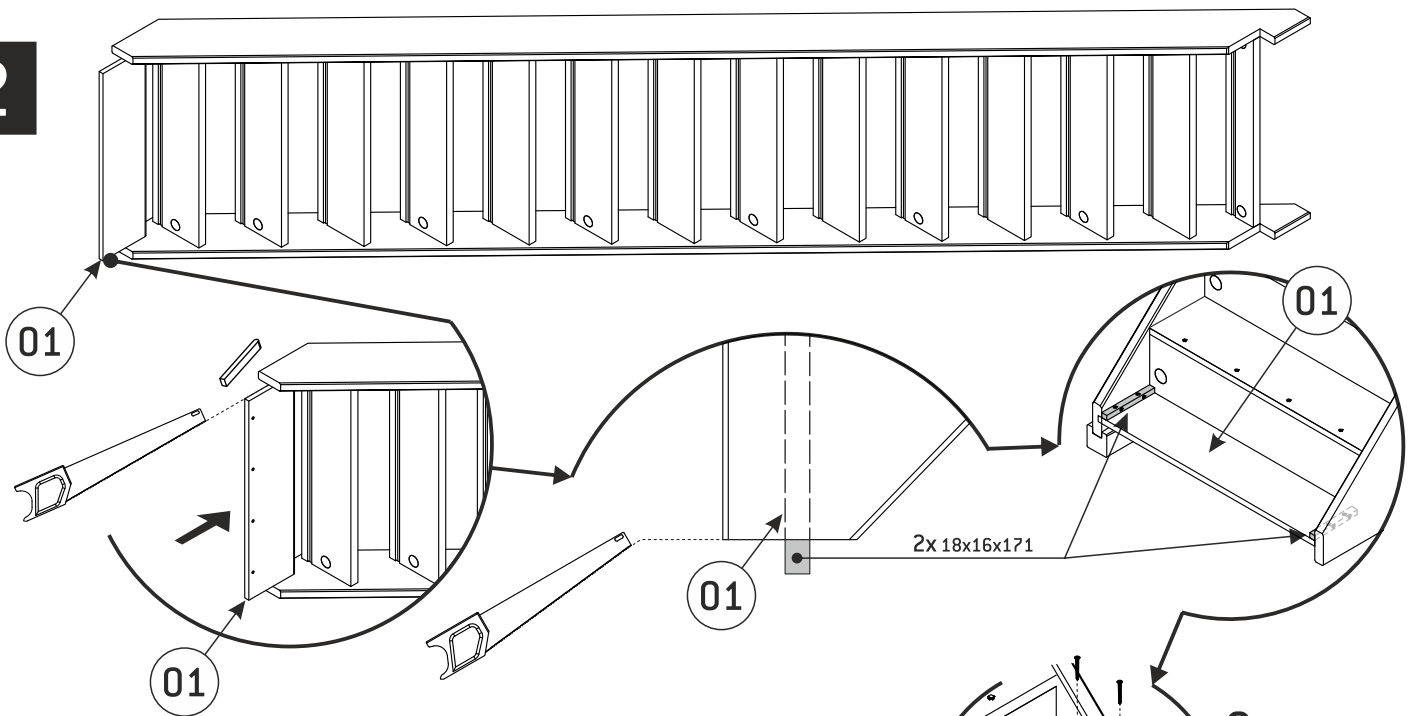
Tx10-30

Ph2/3  
Pz2/3

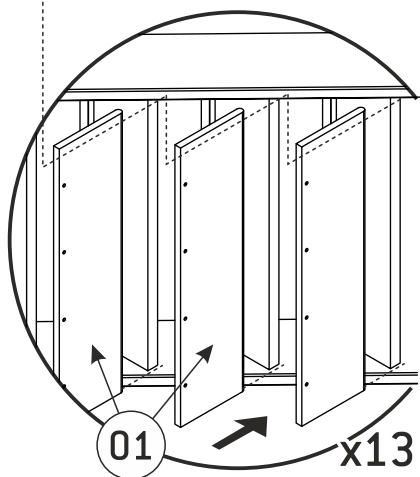
## 1



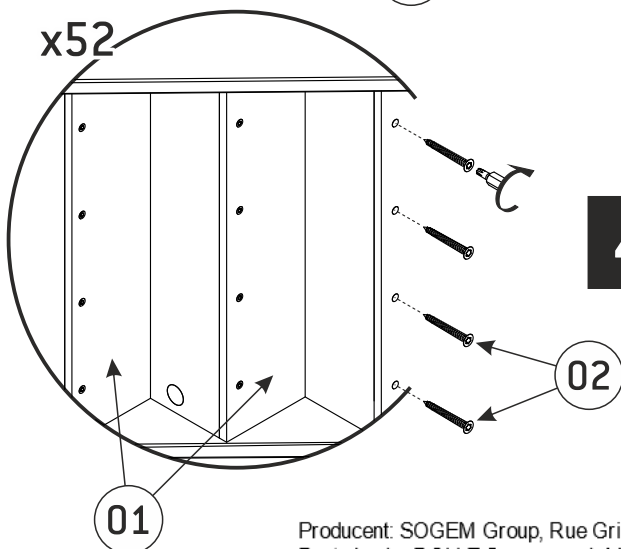
2



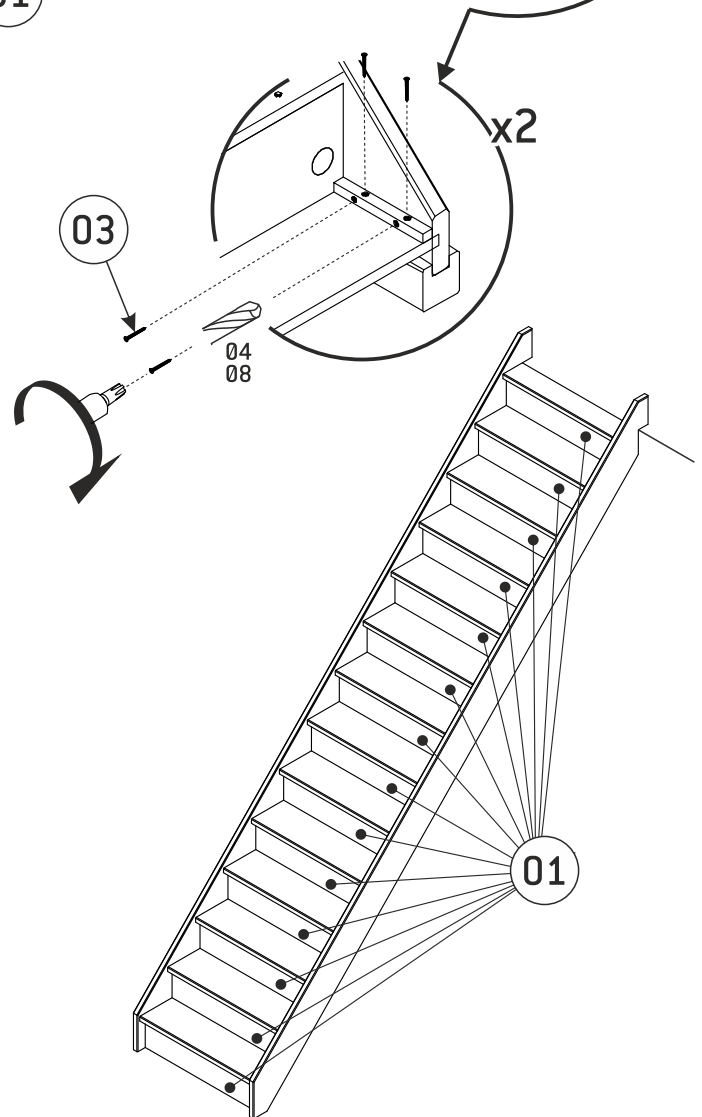
3



x52



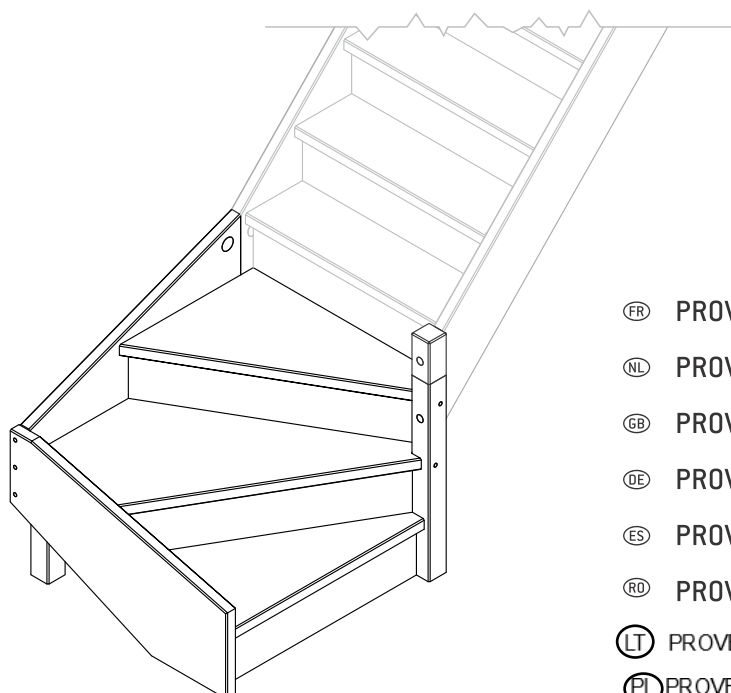
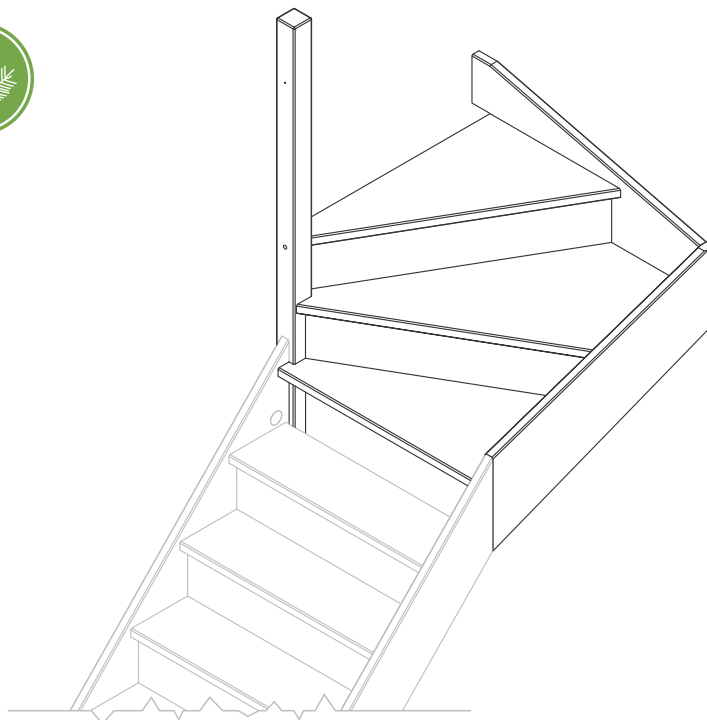
4



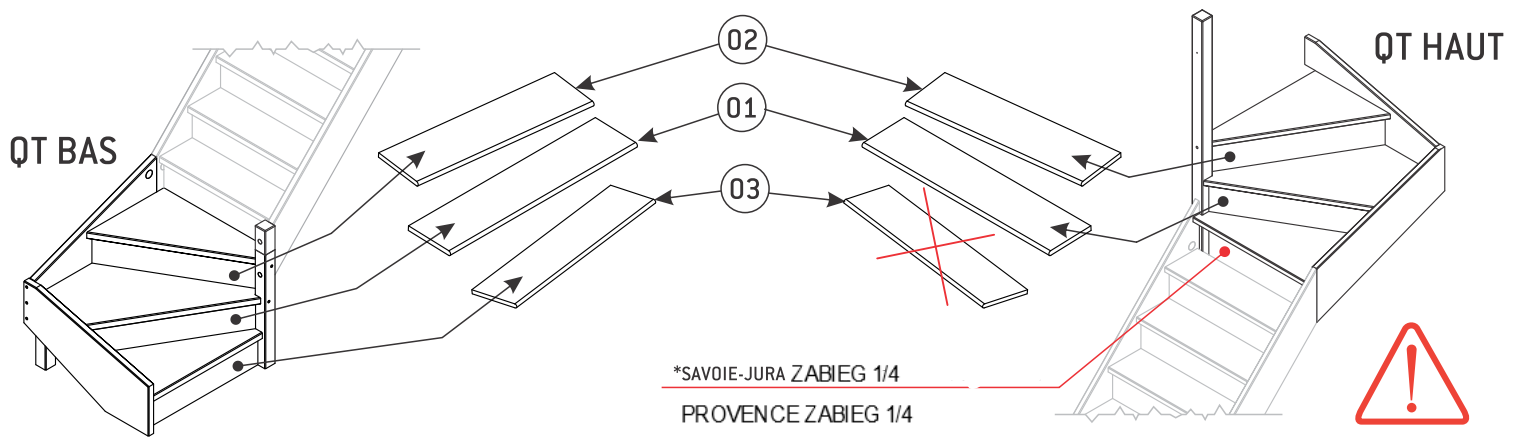
Producent: SOGEM Group, Rue Grimard, 39 B-6061 Montignies-Sur-Sambre (Charleroi) - Belgia  
 Dystrybucja: DOLLE Sp. z o.o., ul. Międzyrzecka 149, 43-382 Bielsko-Biała, Polska  
 Tel. 33 827-24-90, E-mail: biuro@dolle.com



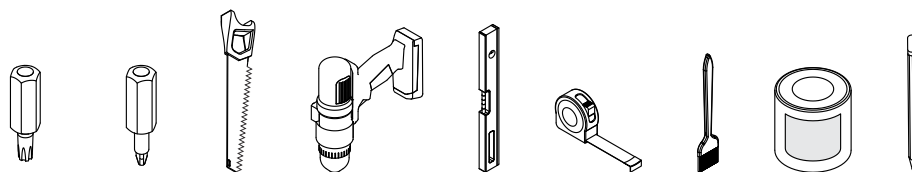
# PROVENCE- SAVOIE-JURA 1/4T / 1/4T<sup>HAUT</sup>



- Ⓡ PROVENCE/SAVOIE/JURA 3 CONTREMARCHES
- Ⓝ PROVENCE/SAVOIE/JURA 3 TEGENTREDEN
- Ⓢ PROVENCE/SAVOIE/JURA 3 RISERS STAIRCASE
- Ⓝ PROVENCE/SAVOIE/JURA 3 SETZSTUFEN
- Ⓢ PROVENCE/SAVOIE/JURA 3 CONTRAHUELLAS
- Ⓡ PROVENCE/SAVOIE/JURA 3 CONTRATREPTÉ SCARA
- Ⓝ PROVENCE/SAVOIE/JURA posūtkio pakopų uždengimai
- Ⓝ PROVENCE/SAVOIE/JURA 3 PODSTOPNIE

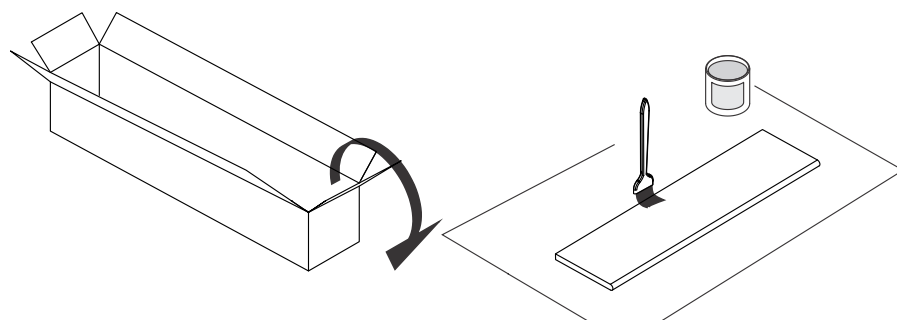


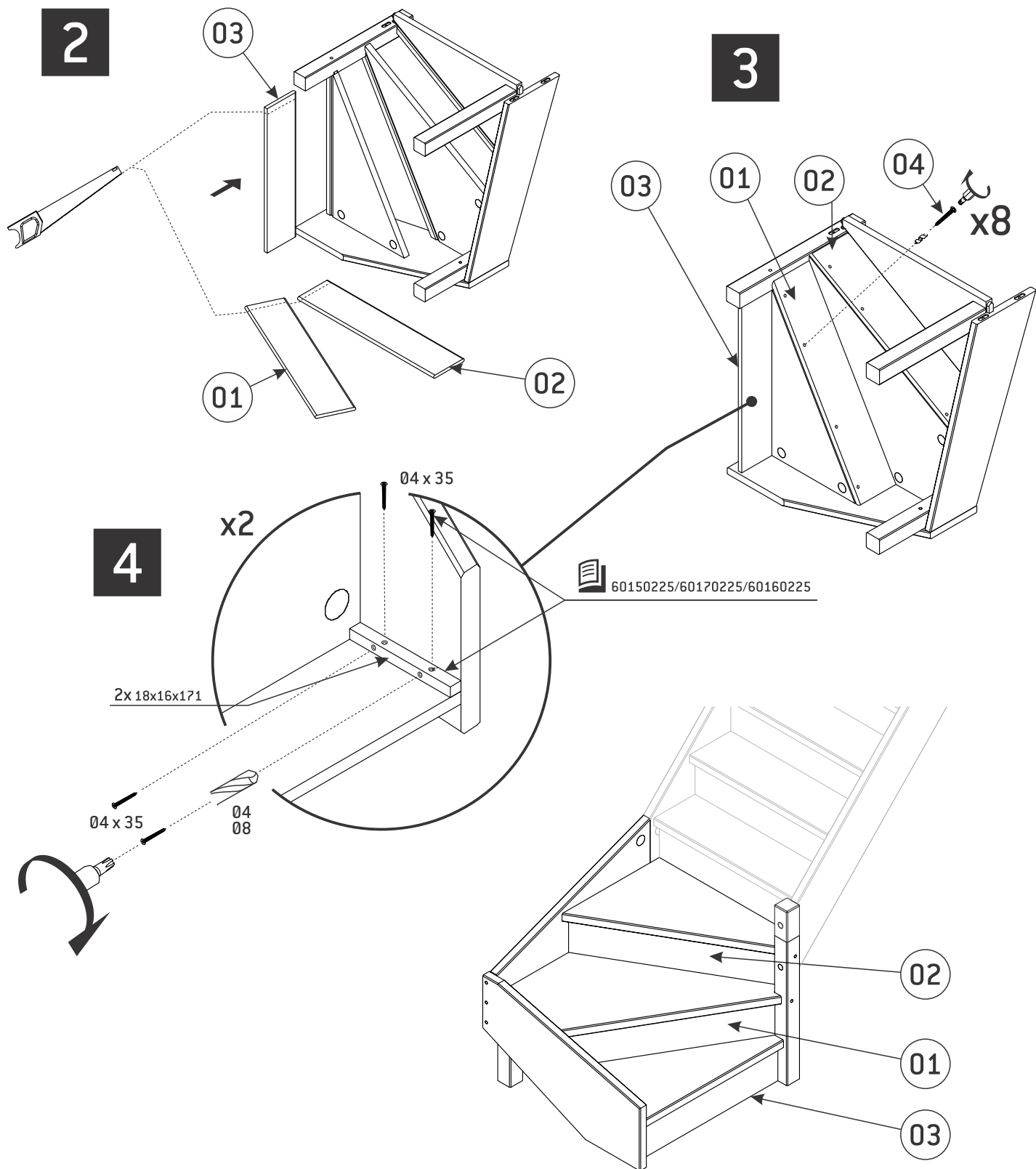
01	02	03	04
18x206x960 mm	18x206x915 mm	18x181x770 mm	04 x 40 mm
x1	x1	x1	x8+2
PROVENCE 70012084 SAVOIE 70012054 JURA 70012024	PROVENCE 70012085 SAVOIE 70012055 JURA 70012025	PROVENCE 70012086 SAVOIE 70012056 JURA 70012026	70031054



Tx10-30  
Ph2/3  
Pz2/3

**1**





Producent: SOGEM Group, Rue Grimard, 39 B-6061 Montignies-Sur-Sambre (Charleroi) - Belgia  
 Dystrybucja: DOLLE Sp. z o.o., ul. Międzyrzecka 149, 43-382 Bielsko-Biała, Polska  
 Tel. 33 827-24-90, E-mail: biuro@dolle.com