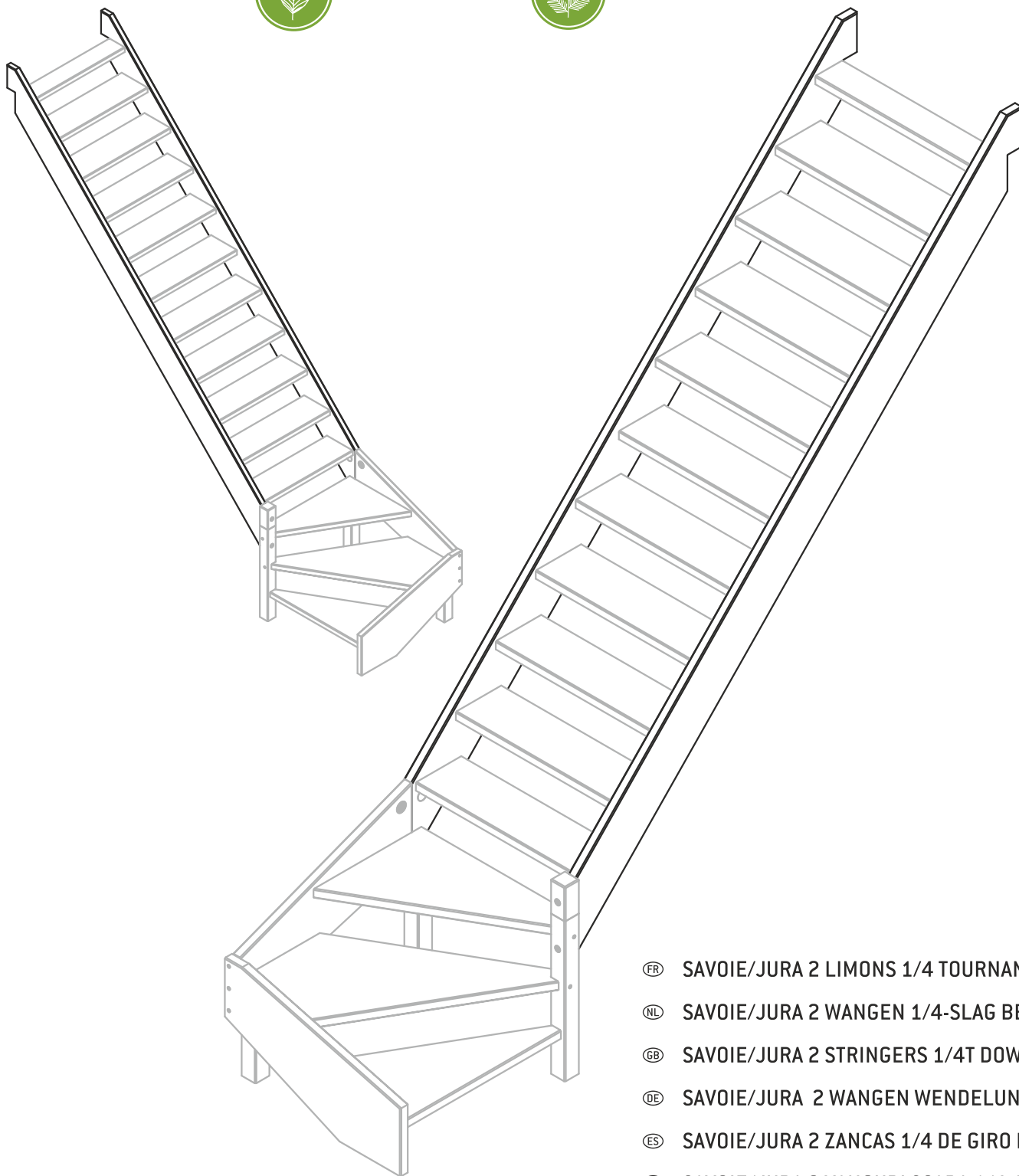
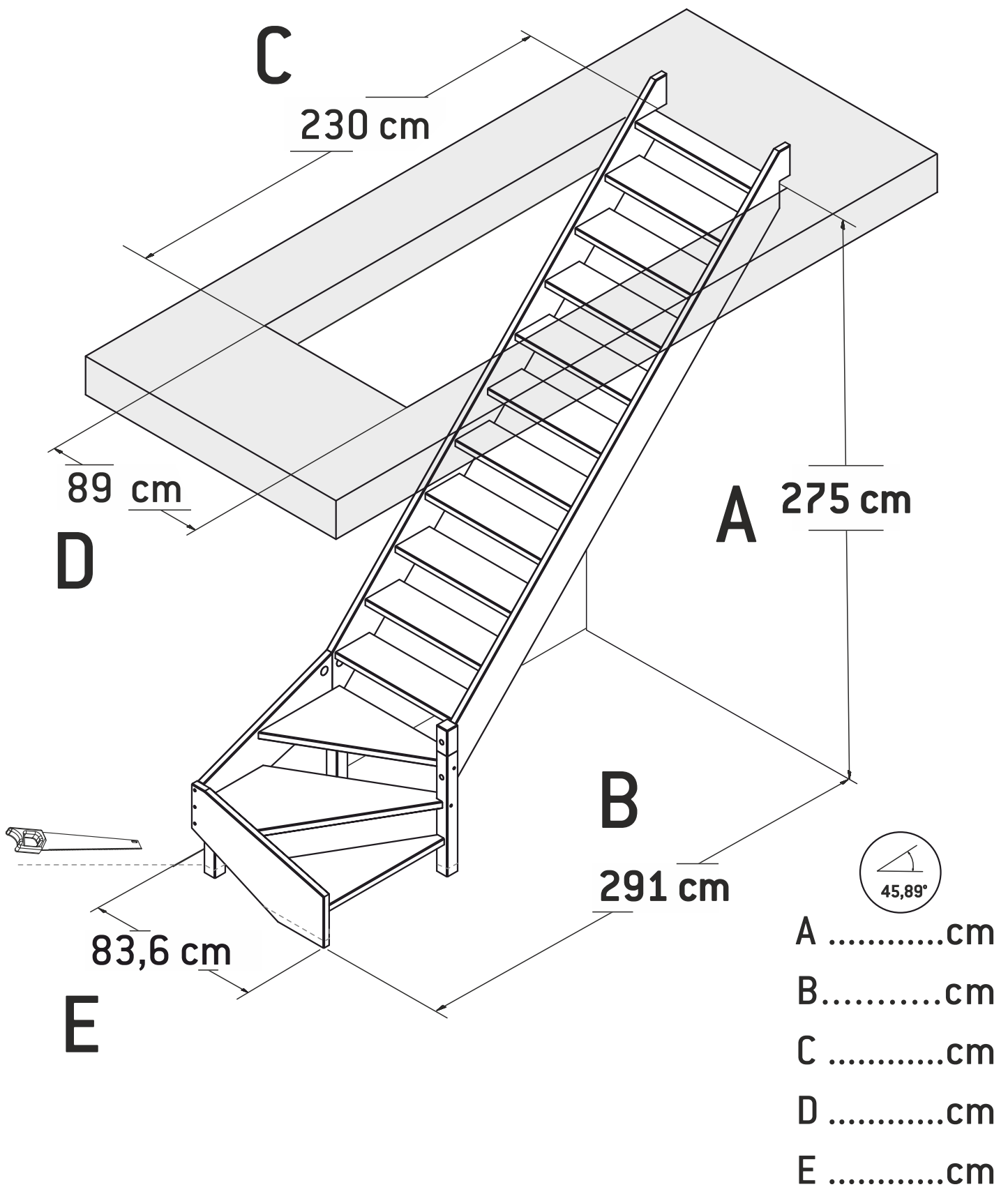


# SAVOIE-JURA 1/4T

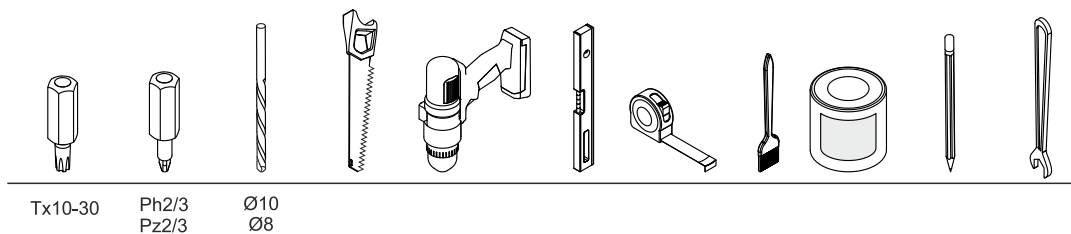
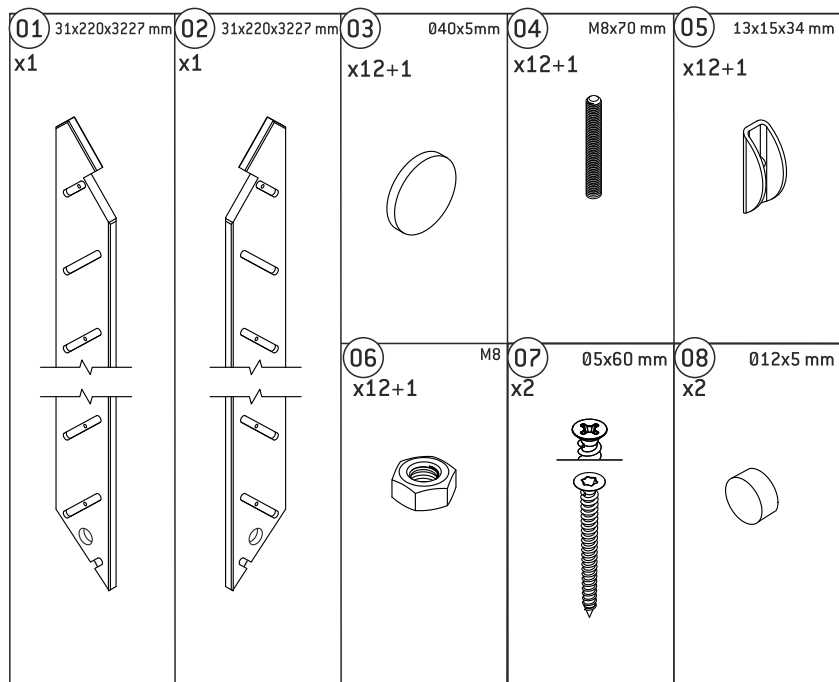


PL SAVOIE/JURA SCHODY Z ZABIEGIEM 1/4 DOLNYM

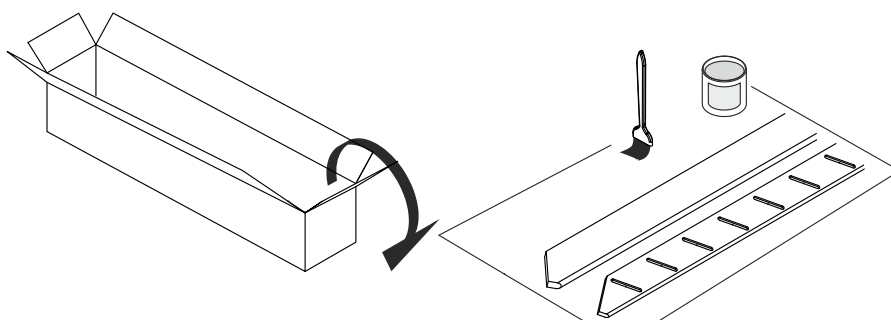
- FR SAVOIE/JURA 2 LIMONS 1/4 TOURNANT BAS
- NL SAVOIE/JURA 2 WANGEN 1/4-SLAG BENEDEN
- GB SAVOIE/JURA 2 STRINGERS 1/4T DOWN
- DE SAVOIE/JURA 2 WANGEN WENDELUNG UNTEN
- ES SAVOIE/JURA 2 ZANCAS 1/4 DE GIRO BAJO
- RO SAVOIE/JURA 2 VANGURI SCARA 1/4 JOS
- LT SAVOIE/JURA LAIPTŲ SU POSŪKIU TIESIOSIOS DALIES ŠONINIAI UŽDENGIMAI



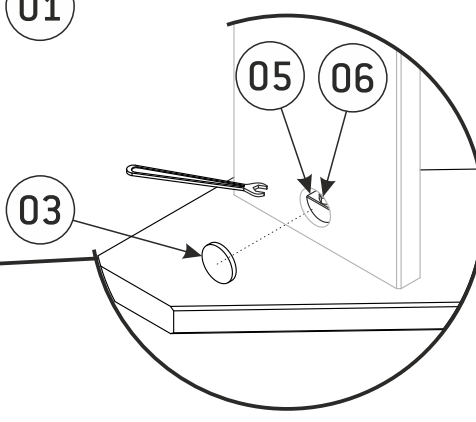
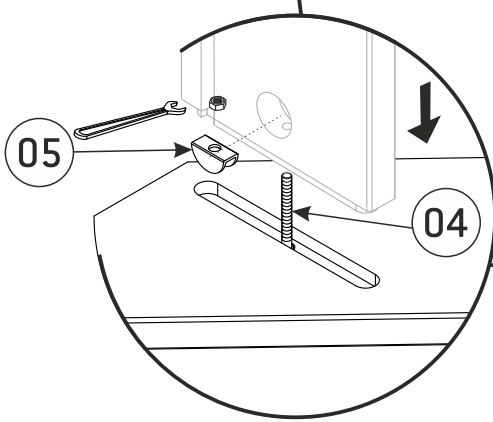
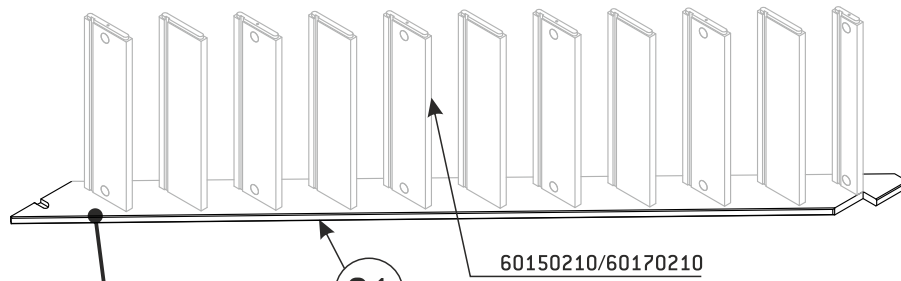
- A .....cm
- B.....cm
- C .....cm
- D .....cm
- E .....cm



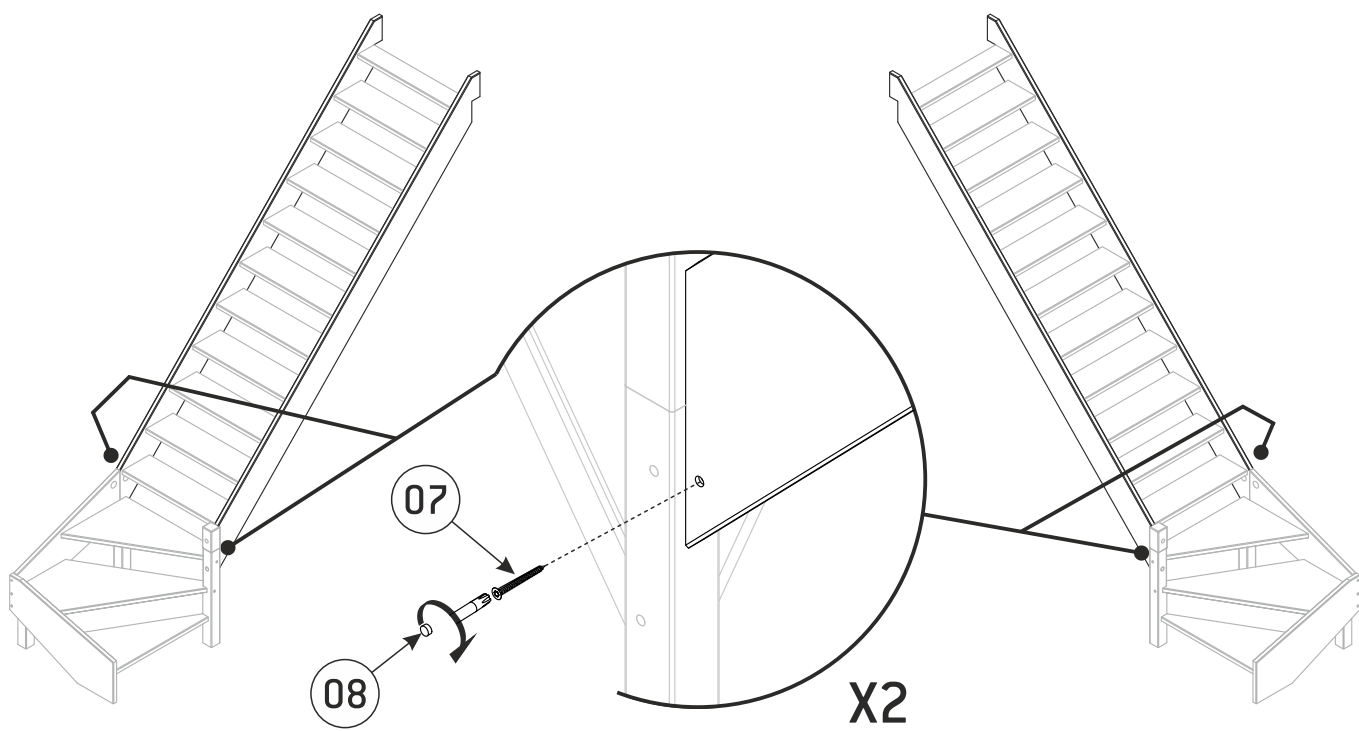
## 1



2



X8



Producent: SOGEM Group, Rue Grimard, 39 B-6061 Montignies-Sur-Sambre (Charleroi) - Belgia  
 Dystrybucja: DOLLE Sp. z o.o., ul. Międzyrzecka 149, 43-382 Bielsko-Biała, Polska  
 Tel. 33 827-24-90, E-mail: biuro@dolle.com

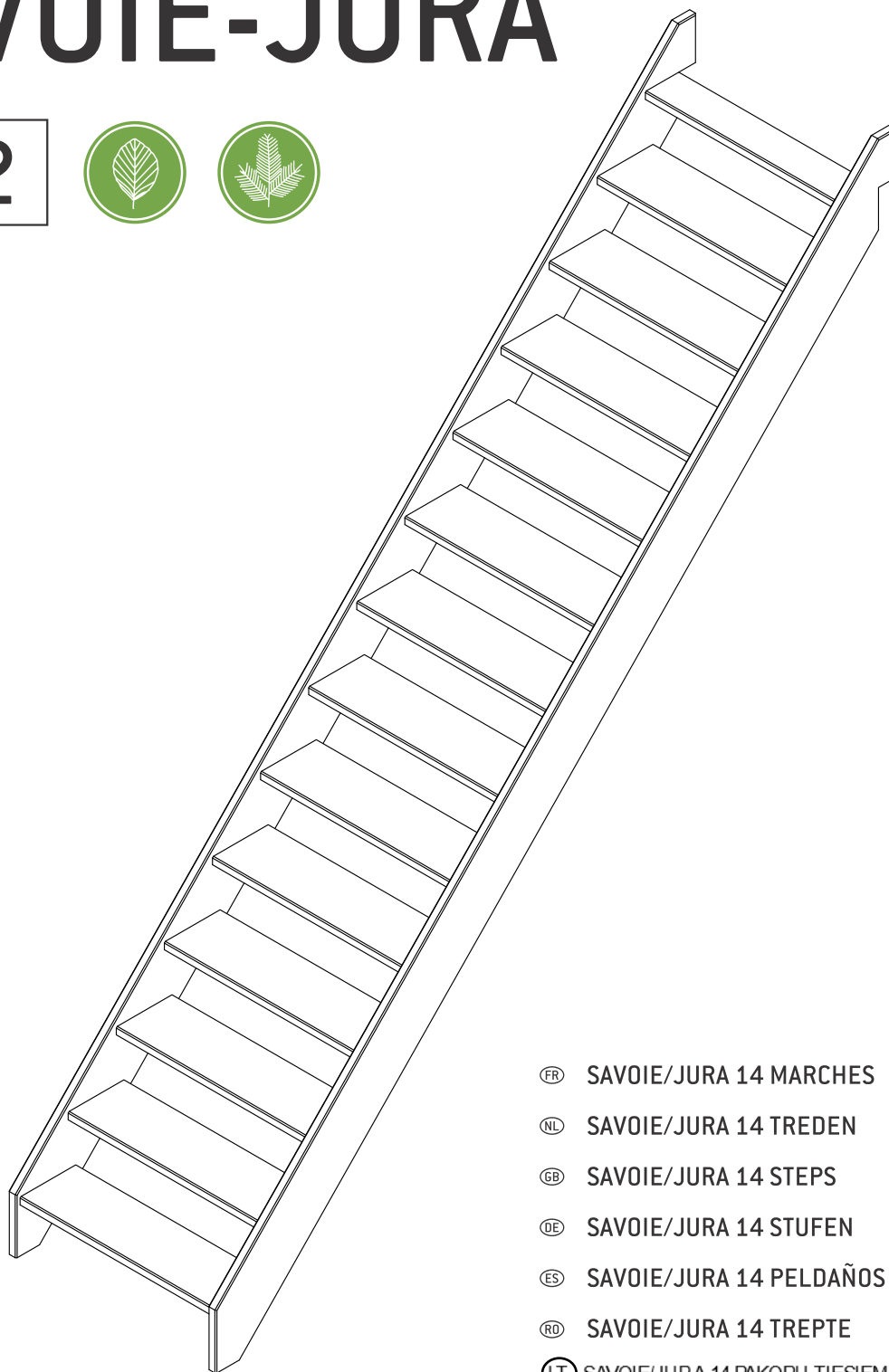
SO GEM

DOLLE®

# SAVOIE-JURA

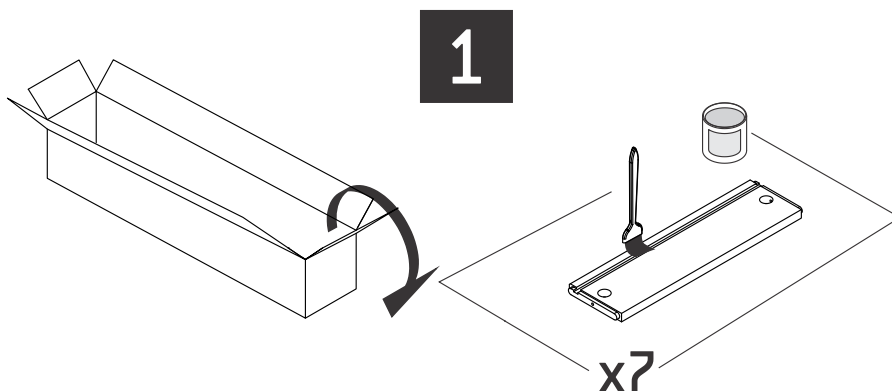
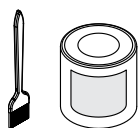
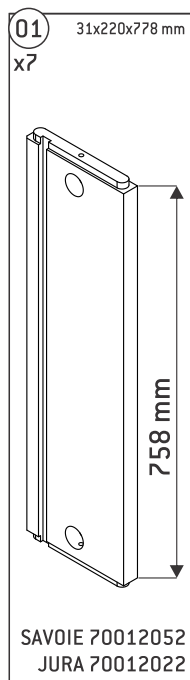
1

2



- Ⓡ SAVOIE/JURA 14 MARCHES
- Ⓡ SAVOIE/JURA 14 TREDEN
- Ⓡ SAVOIE/JURA 14 STEPS
- Ⓡ SAVOIE/JURA 14 STUFEN
- Ⓡ SAVOIE/JURA 14 PELDAÑOS
- Ⓡ SAVOIE/JURA 14 TREPTE
- Ⓡ SAVOIE/JURA 14 PAKOPŲ TIESIEMS LAIPTAMS
- Ⓡ SAVOIE/JURA 14 STOPNI

**1** **2**

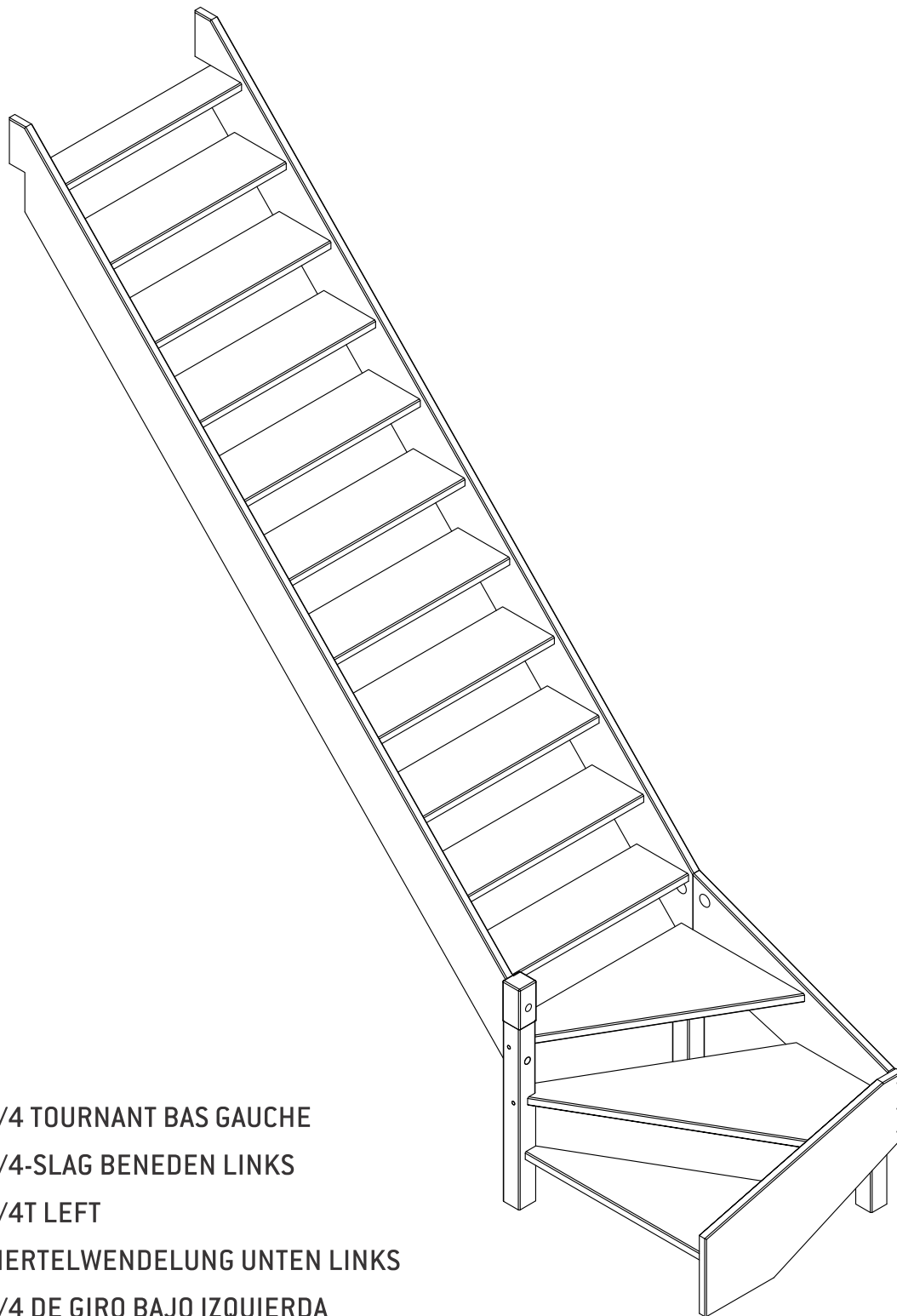


Producent: SOGEM Group, Rue Grimard, 39 B-6061 Montignies-Sur-Sambre (Charleroi) - Belgia  
 Dystrybucja: DOLLE Sp. z o.o., ul. Międzyrzecka 149, 43-382 Bielsko-Biała, Polska  
 Tel. 33 827-24-90, E-mail: biuro@dolle.com

SOGEM

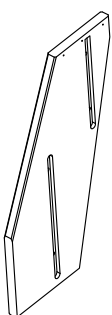
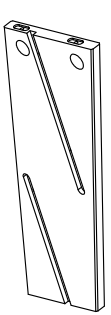
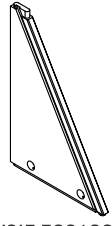
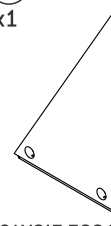
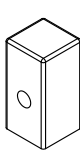
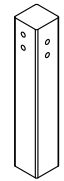
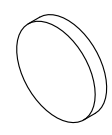
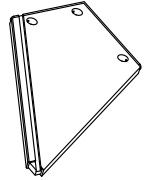
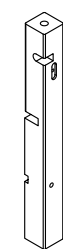






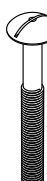
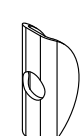








DOLLE

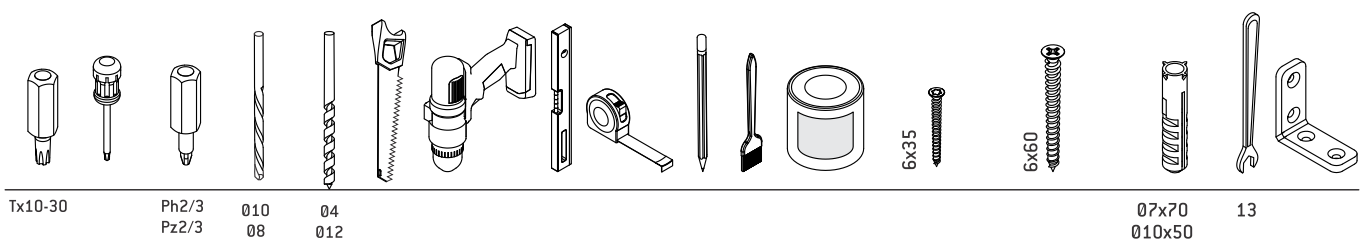
# SAVOIE-JURA



- Ⓡ FR SAVOIE/JURA 1/4 TOURNANT BAS GAUCHE
- Ⓡ NL SAVOIE/JURA 1/4-SLAG BENEDEN LINKS
- Ⓡ GB SAVOIE/JURA 1/4T LEFT
- Ⓡ DE SAVOIE/JURA VIERTELWENDELUNG UNTEN LINKS
- Ⓡ ES SAVOIE/JURA 1/4 DE GIRO BAJO IZQUIERDA
- Ⓡ RO SAVOIE/JURA 1/4 T STANGA JOS
- Ⓡ LT SAVOIE/JURA APATINIS 1/4 POSŪKISĮ KAIRĖ
- Ⓡ PL SAVOIE/JURA ZABIEG 1/4 LEWY

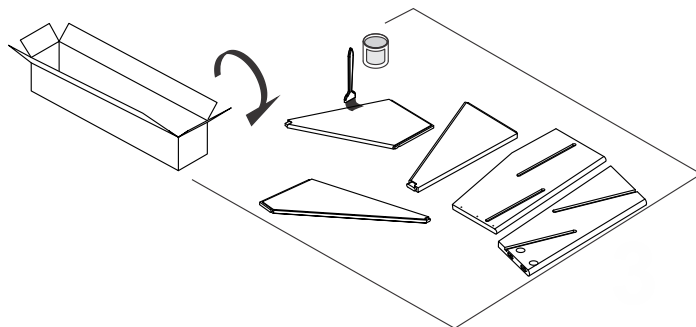
## SAVOIE+JURA QT BAS GAUCHE

<p>01 31x483x836 mm x1</p>  <p>SAVOIE 70012057 JURA 70012027</p>	<p>02 31x563x828 mm x1</p>  <p>SAVOIE 70012058 JURA 70012028</p>	<p>03 31x523x782 mm x1</p>  <p>SAVOIE 70012059 JURA 70012029</p>	<p>05 31x482x782 mm x1</p>  <p>SAVOIE 70012060 JURA 70012030</p>	<p>07 70x70x140 mm x1</p> 	<p>09 70x70x367 mm x1</p> 	<p>11 040 x 6 mm x11+1</p> 
		<p>04 31x752x827 mm x1</p>  <p>SAVOIE 70012061 JURA 70012031</p>	<p>06 70x70x663,5 mm x1</p>  <p>SAVOIE 70012062 JURA 70012032</p>	<p>08 70x70x563 mm x1</p> 	<p>10 020 x 50 mm x1</p> 	<p>12 020 x 6 mm x2</p> 
<p>13 012 x 6 mm x12</p> 	<p>14 08 x 110 mm x1</p> 	<p>15 08 x 70 mm x8</p> 	<p>16 08 x 70 mm x1</p> 	<p>17 1.5x11x18.6mm x11</p> 	<p>18 M8</p> 	
<p>19 05x60 mm x12+2</p>  <p>70031053</p>	<p>20 08 x 110 mm x1</p> 					    

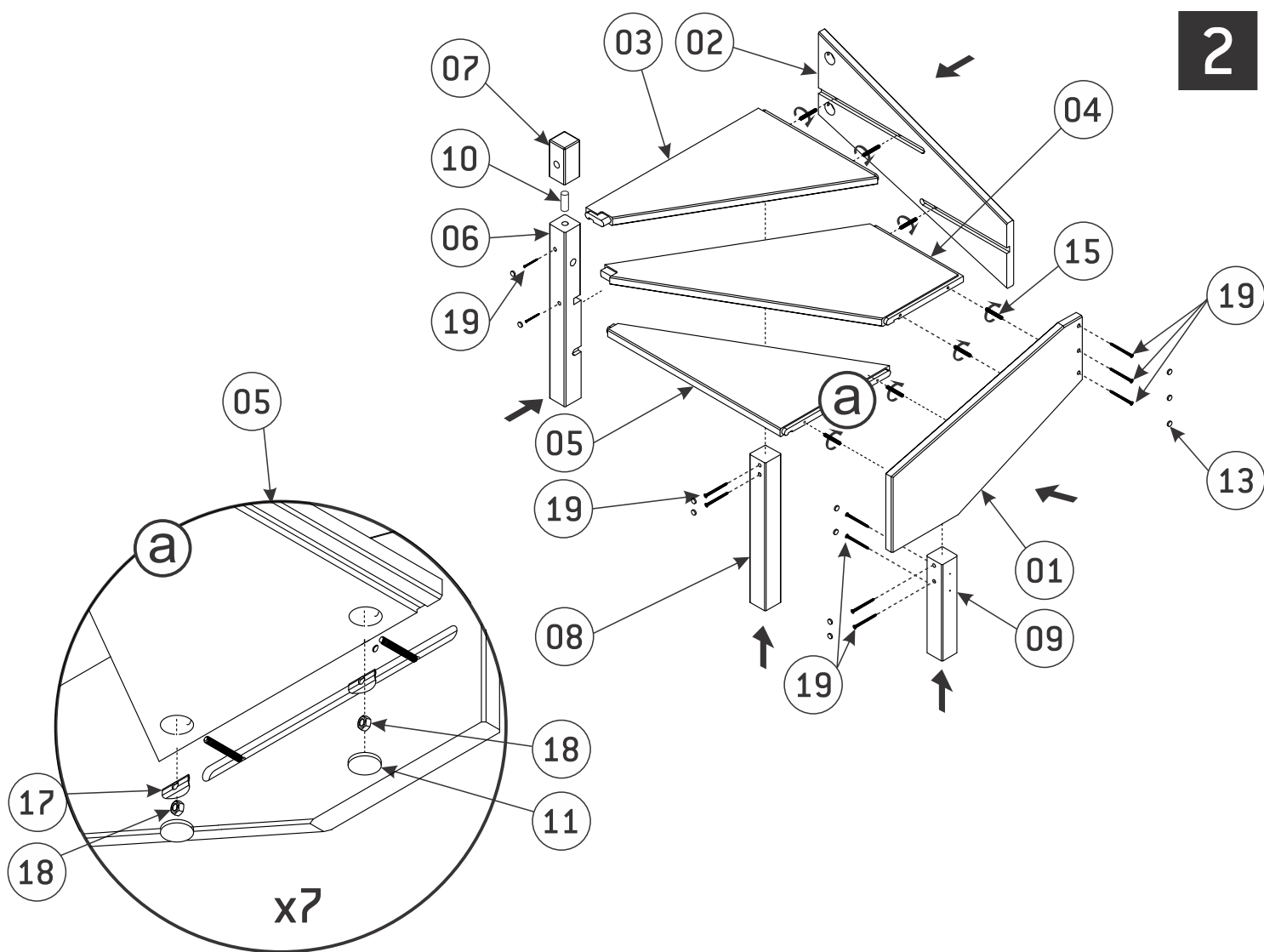


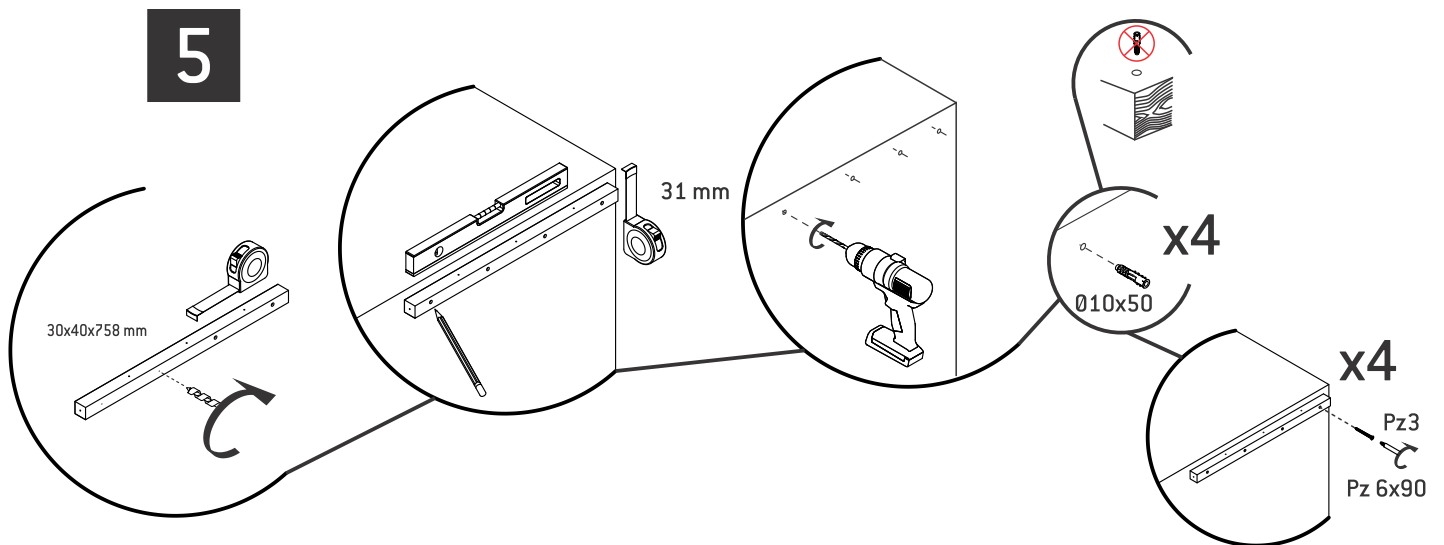
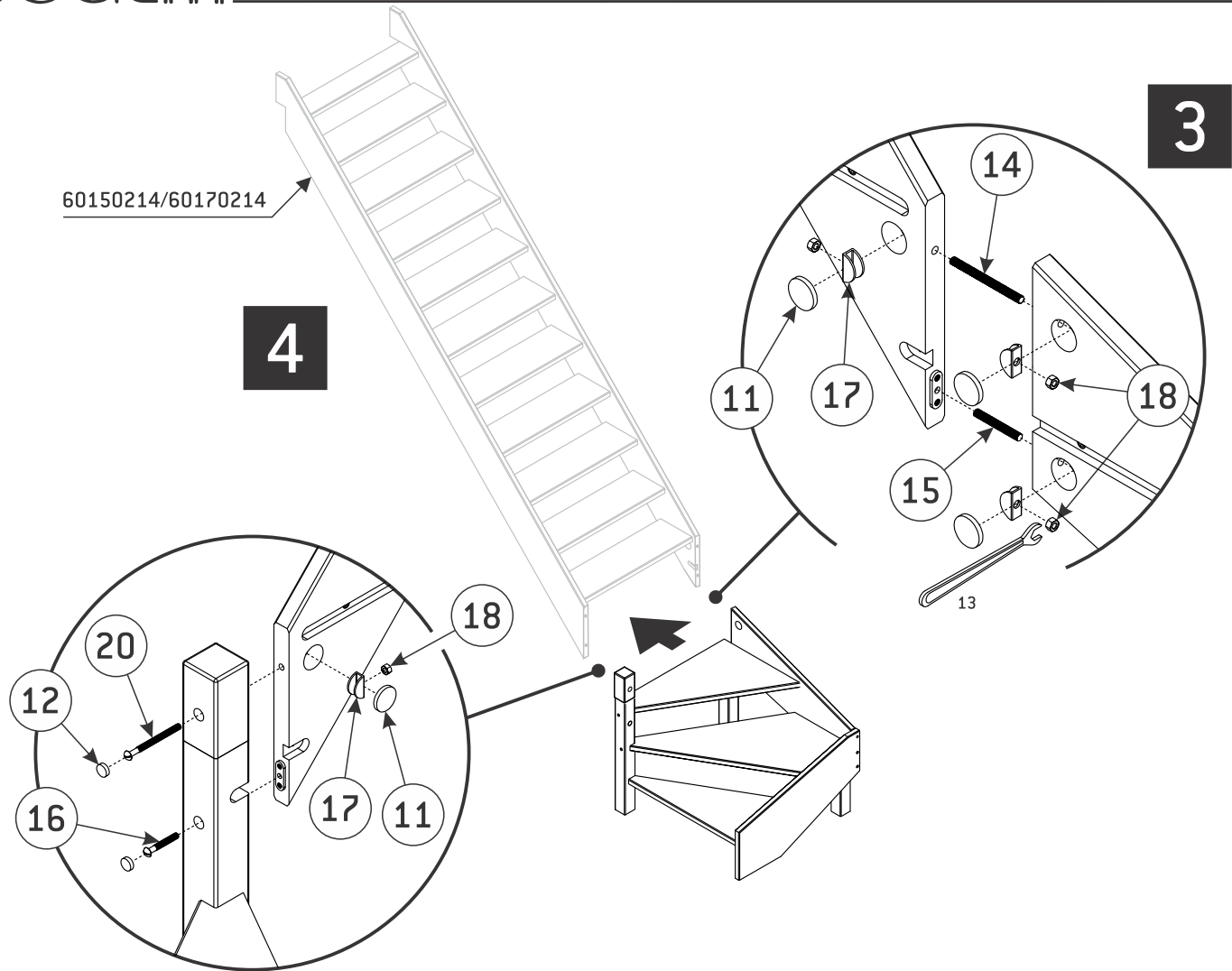


1

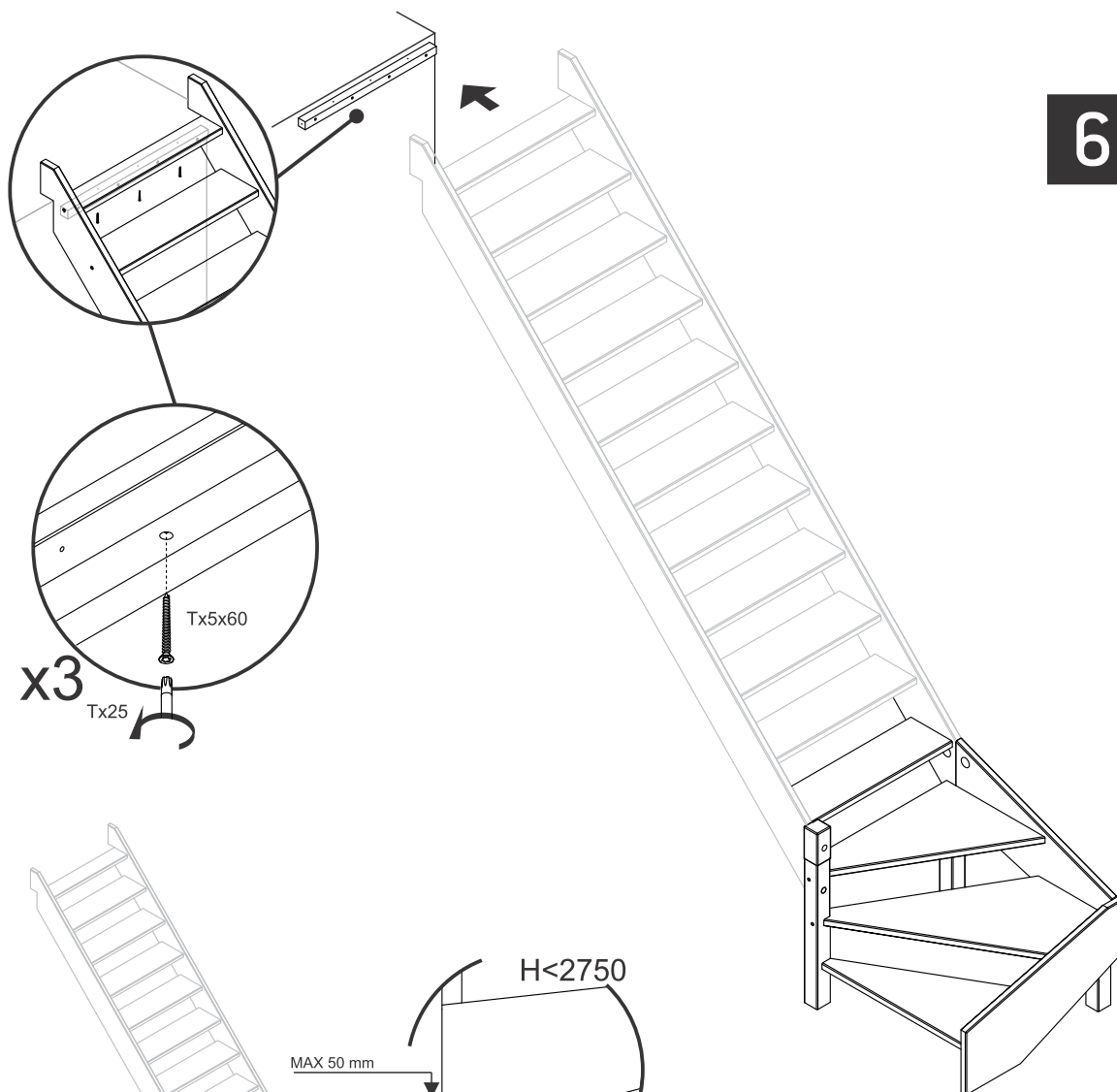


2

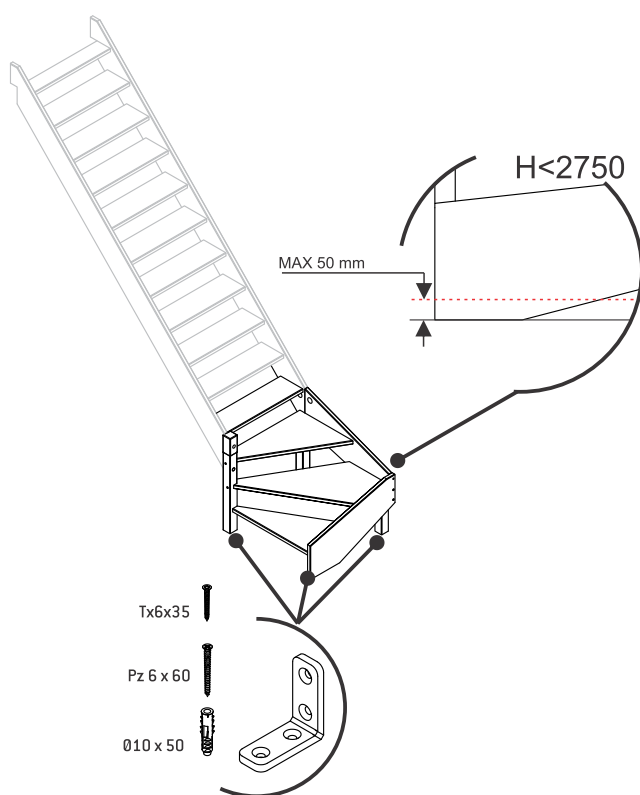




6



7

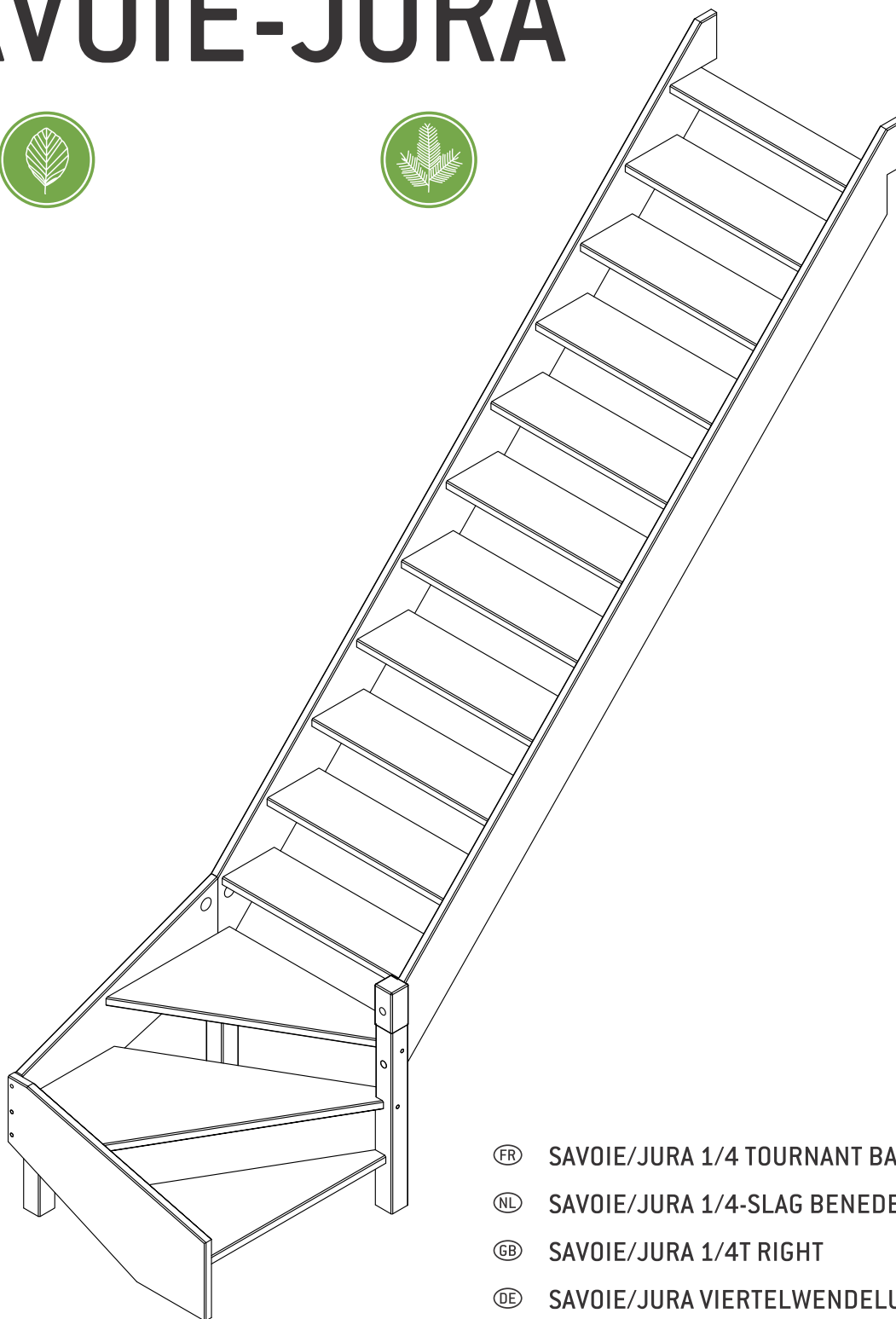


Producent: SOGEM Group, Rue Grimard, 39 B-6061 Montignies-Sur-Sambre (Charleroi) - Belgia  
 Dystrybutor: DOLLE Sp. z o.o., ul. Międzyrzecka 149, 43-382 Bielsko-Biała, Polska  
 Tel. 33 827-24-90, E-mail: biuro@dolle.com

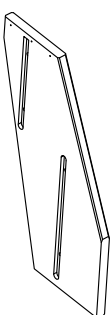

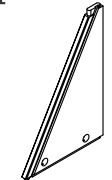
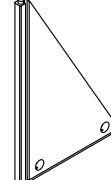
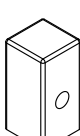
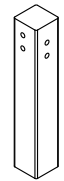
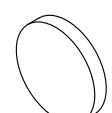
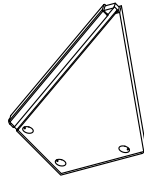
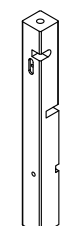

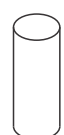




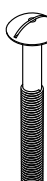
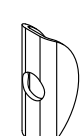



SOGEM

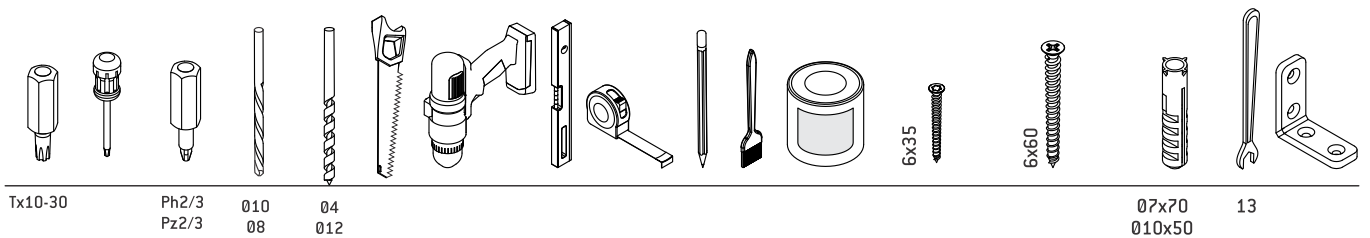
DOLLE®

# SAVOIE-JURA

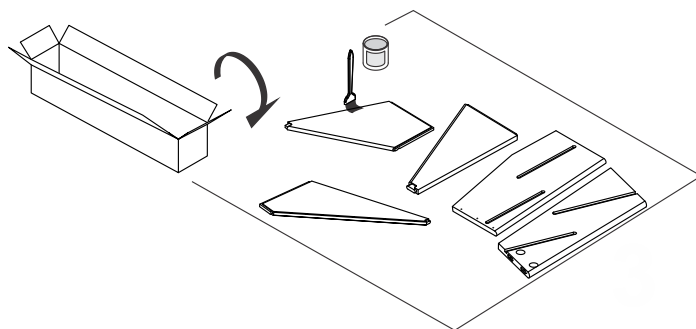


- Ⓡ SAVOIE/JURA 1/4 TOURNANT BAS DROITE
- Ⓡ SAVOIE/JURA 1/4-SLAG BENEDEN RECHTS
- Ⓡ SAVOIE/JURA 1/4T RIGHT
- Ⓡ SAVOIE/JURA VIERTELWENDELUNG UNTEN RECHTS
- Ⓡ SAVOIE/JURA 1/4 DE GIRO BAJO DERECHA
- Ⓡ SAVOIE/JURA 1/4 T DREAPTA JOS
- Ⓡ SAVOIE/JURA APATINIS 1/4 POSŪKIS Į DEŠINĘ
- Ⓡ SAVOIE/JURA ZABIEG 1/4 PRAWY

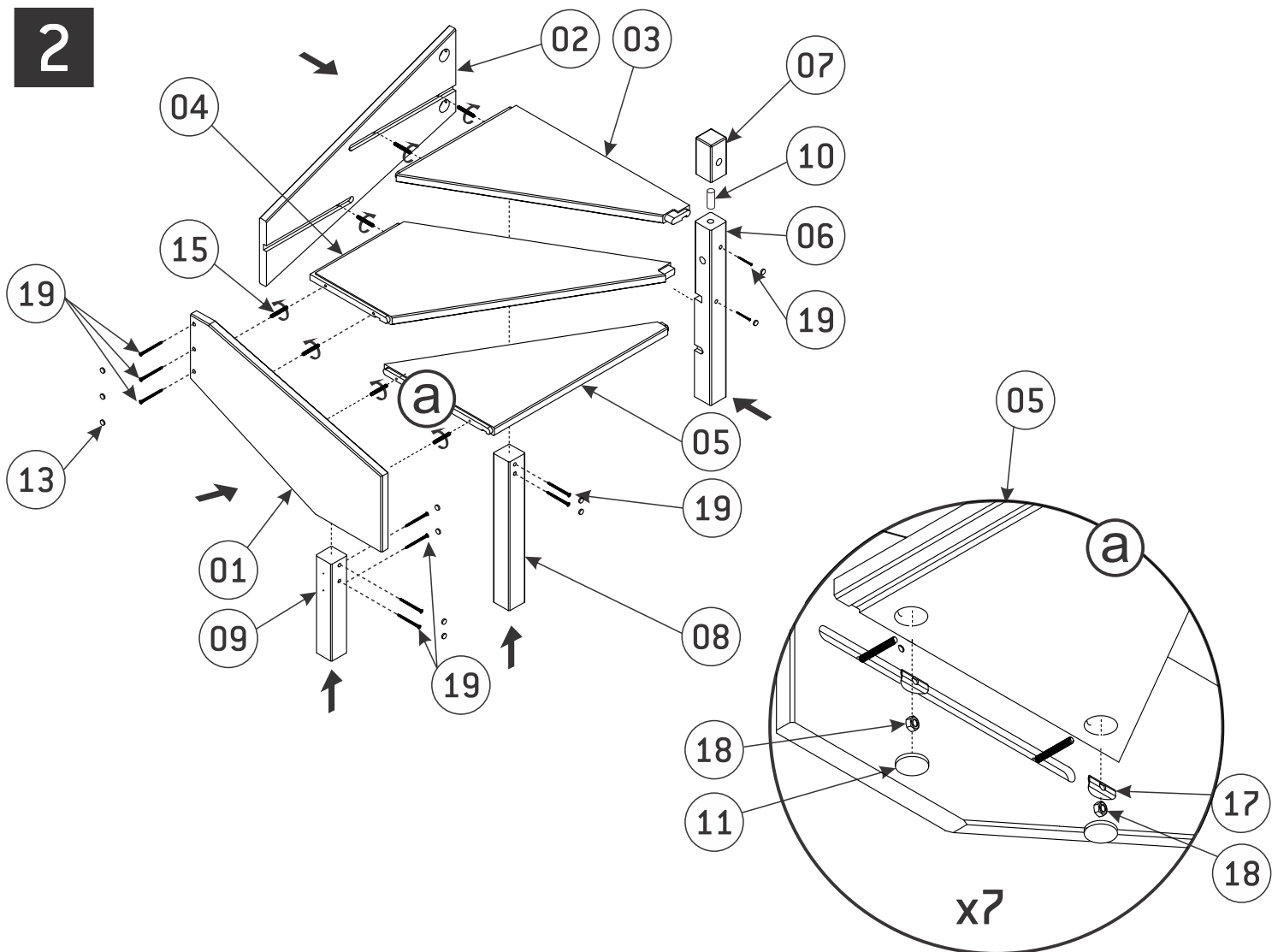
<p>01 31x483x836 mm x1</p>  <p>SAVOIE 70012063 JURA 70012033</p>	<p>02 31x563x828 mm x1</p>  <p>SAVOIE 70012064 JURA 70012034</p>	<p>03 31x523x782 mm x1</p>  <p>SAVOIE 70012065 JURA 70012035</p>	<p>05 31x482x782 mm x1</p>  <p>SAVOIE 70012066 JURA 70012036</p>	<p>07 70x70x140 mm x1</p> 	<p>09 70x70x367 mm x1</p> 	<p>11 040 x 6 mm x11+1</p> 
		<p>04 31x752x827 mm x1</p>  <p>SAVOIE 70012067 JURA 70012037</p>	<p>06 70x70x663,5 mm x1</p>  <p>SAVOIE 70012068 JURA 70012038</p>	<p>08 70x70x563 mm x1</p> 	<p>10 020 x 50 mm x1</p> 	<p>12 020 x 6 mm x2</p> 
<p>13 012 x 6 mm x12</p> 	<p>14 08 x 110 mm x1</p> 	<p>15 08 x 70 mm x8</p> 	<p>16 08 x 70 mm x1</p> 	<p>17 1.5x11x18.6mm x11</p> 	<p>18 M8 x11</p> 	
<p>19 05x60 mm x12+2</p>  <p>70031053</p>	<p>20 08 x 110 mm x1</p> 					



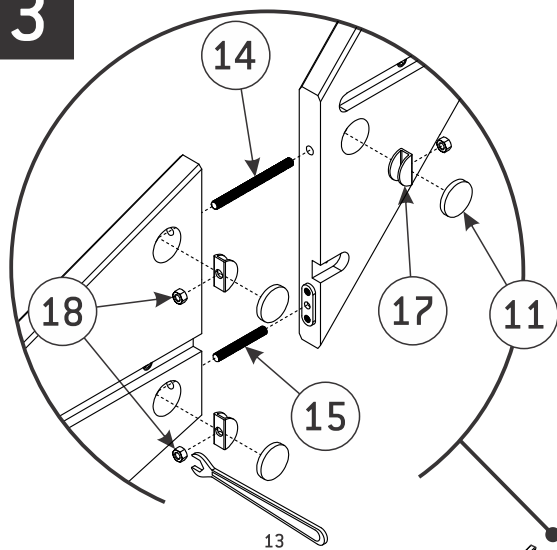
1



2

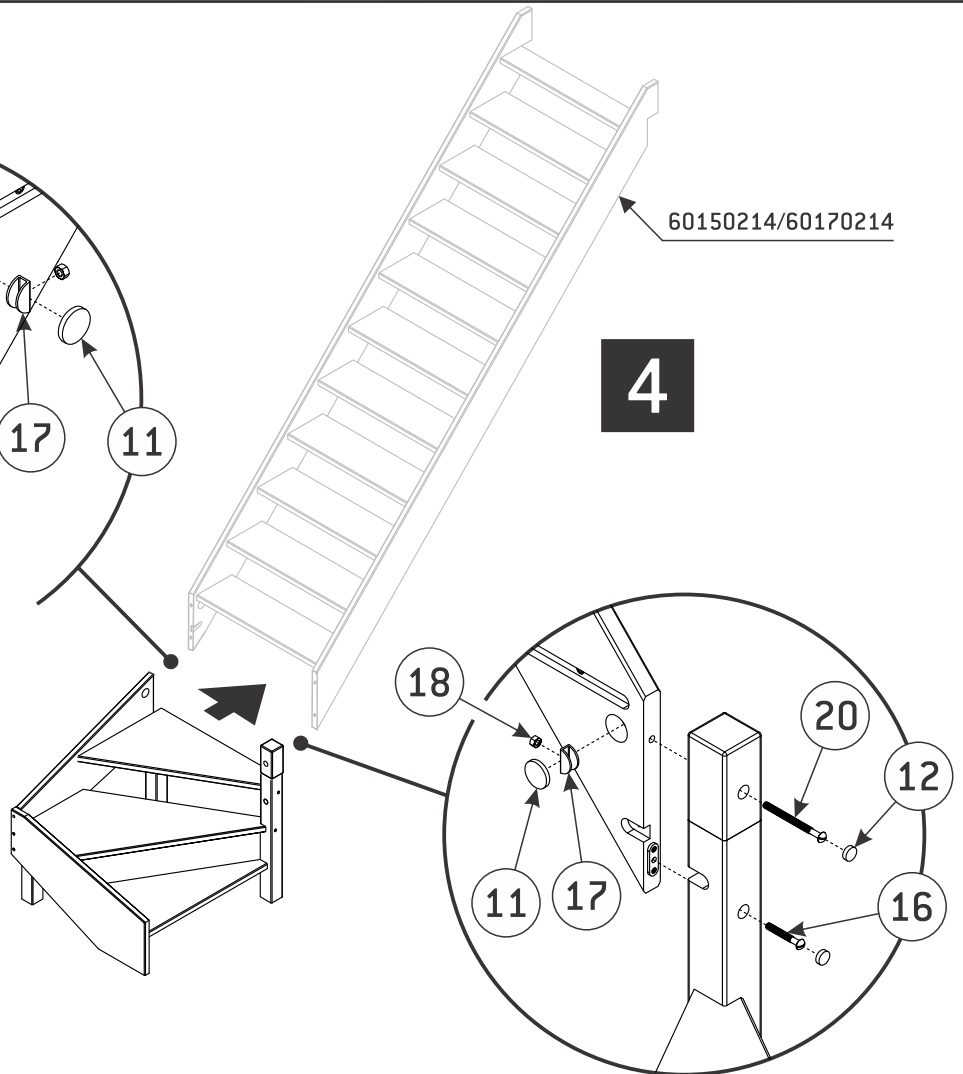


**3**

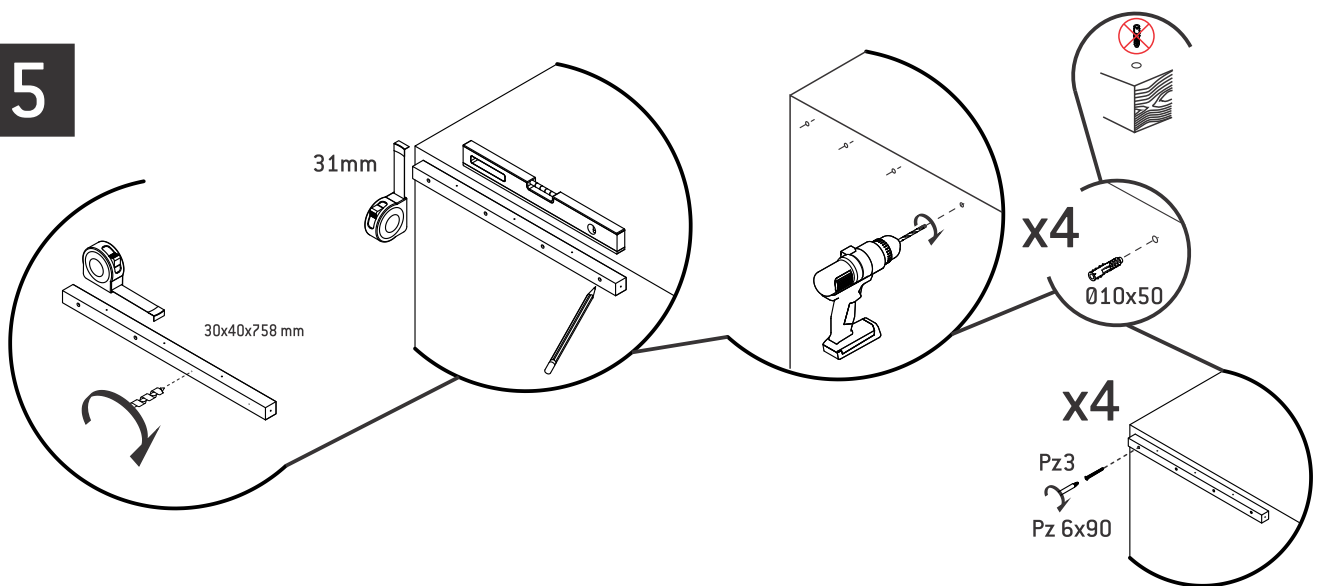


60150214/60170214

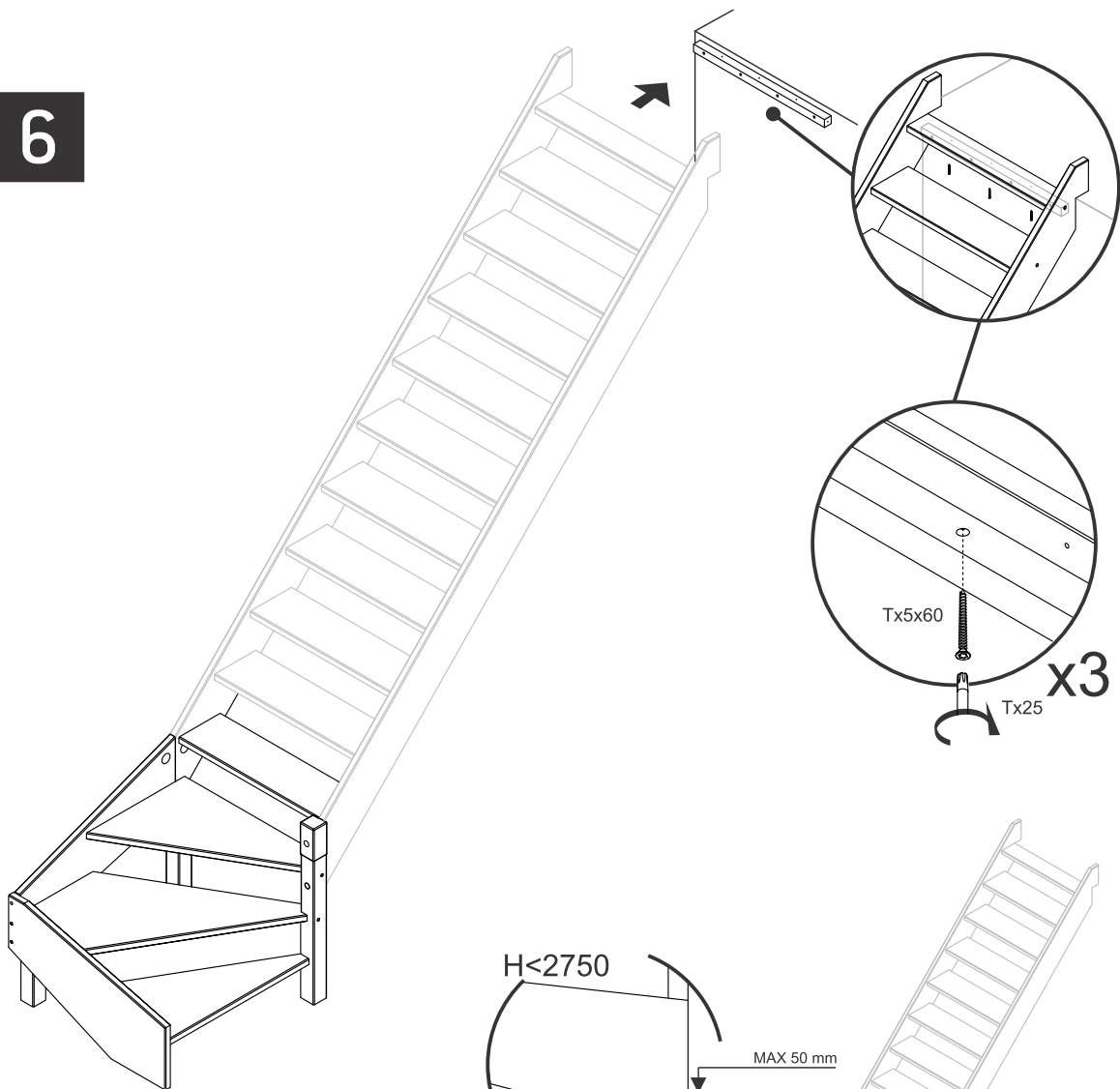
**4**



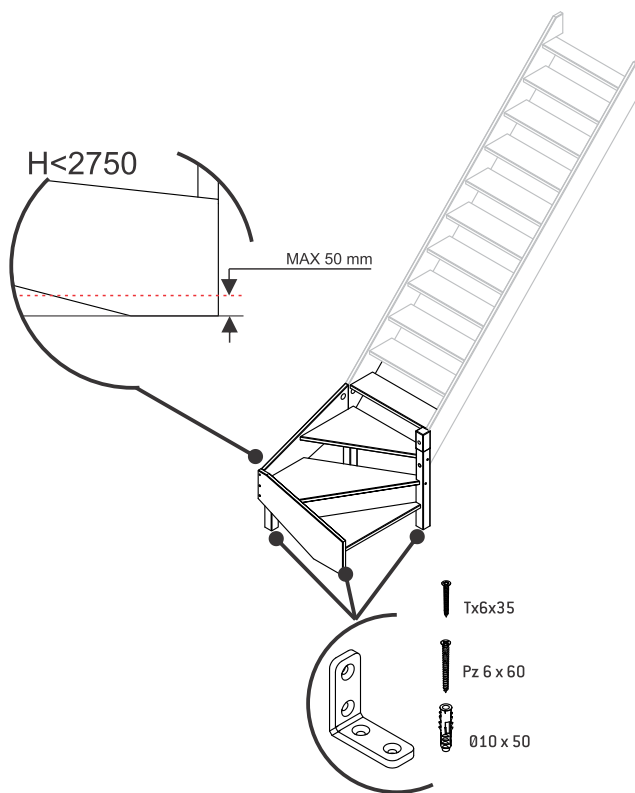
**5**



6



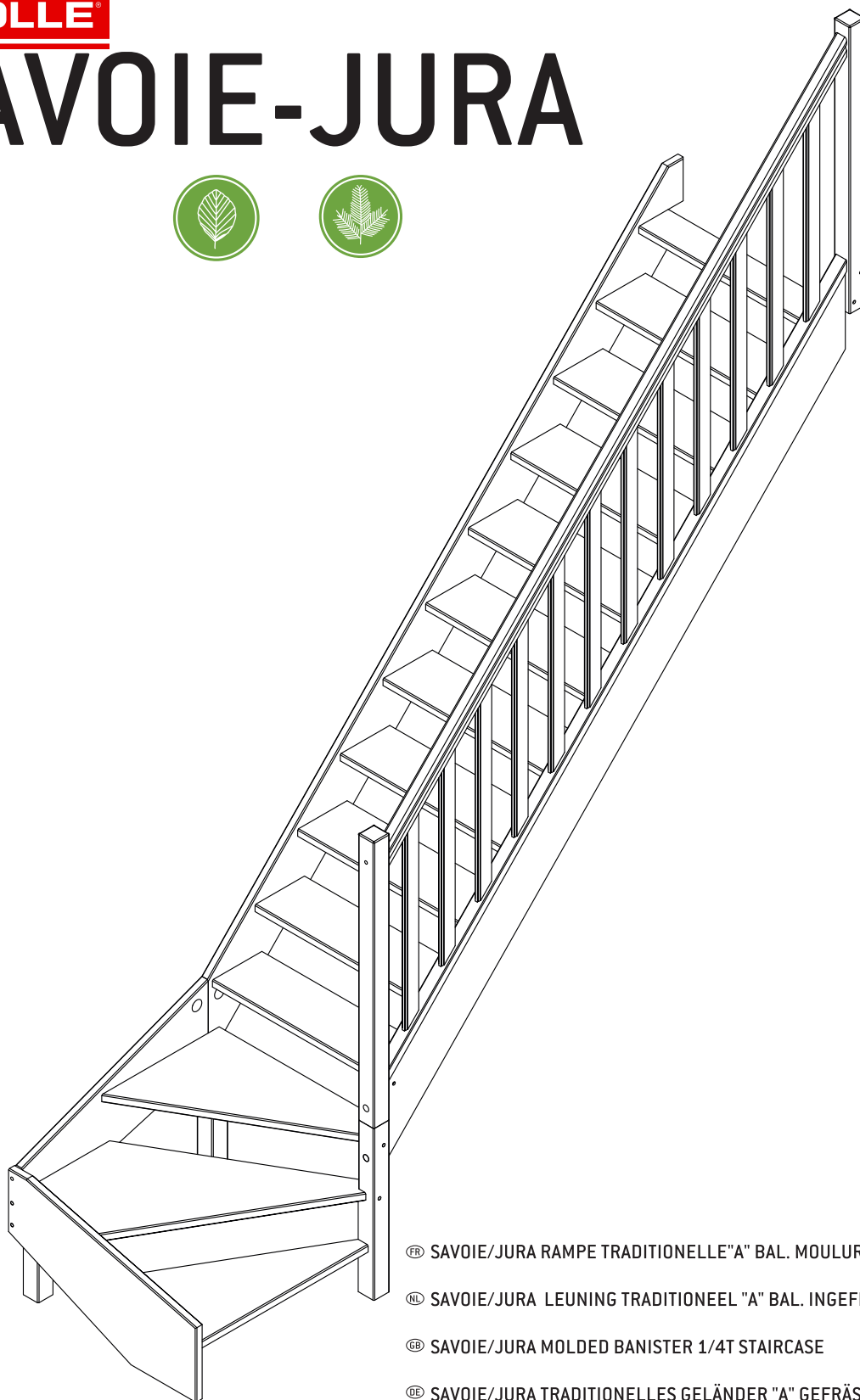
7



Producent: SOGEM Group, Rue Grimard, 39 B-6061 Montignies-Sur-Sambre (Charleroi) - Belgia  
 Dystrybucja: DOLLE Sp. z o.o., ul. Międzyrzecka 149, 43-382 Bielsko-Biała, Polska  
 Tel. 33 827-24-90, E-mail: biuro@dolle.com



# SAVOIE-JURA



FR SAVOIE/JURA RAMPE TRADITIONELLE "A" BAL. MOULUREES ESC. 1/4 TOURNANT

NL SAVOIE/JURA LEUNING TRADITIONEEL "A" BAL. INGEFREESD 1/4-SLAG

GB SAVOIE/JURA MOLDED BANISTER 1/4T STAIRCASE

DE SAVOIE/JURA TRADITIONELLES GELÄNDER "A" GEFRÄSTE STÄBE GEWENDELTE TREPPE

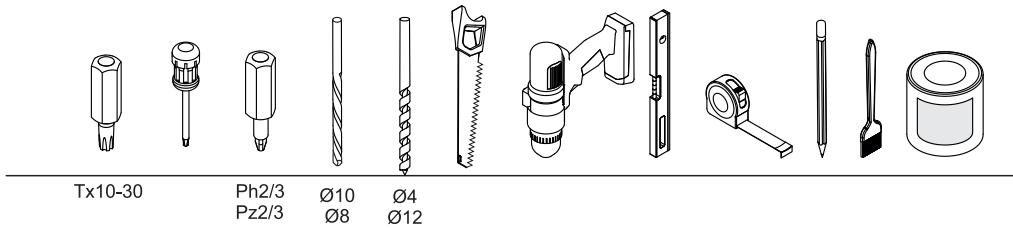
ES SAVOIE/JURA BARANDILLA TRADICIONAL "A" BALAUSTRAS MOLDURADOS ESC. 1/4 DE GIRO

RO SAVOIE/JURA RAMPA FREZATA SCARA 1/4 T JOS

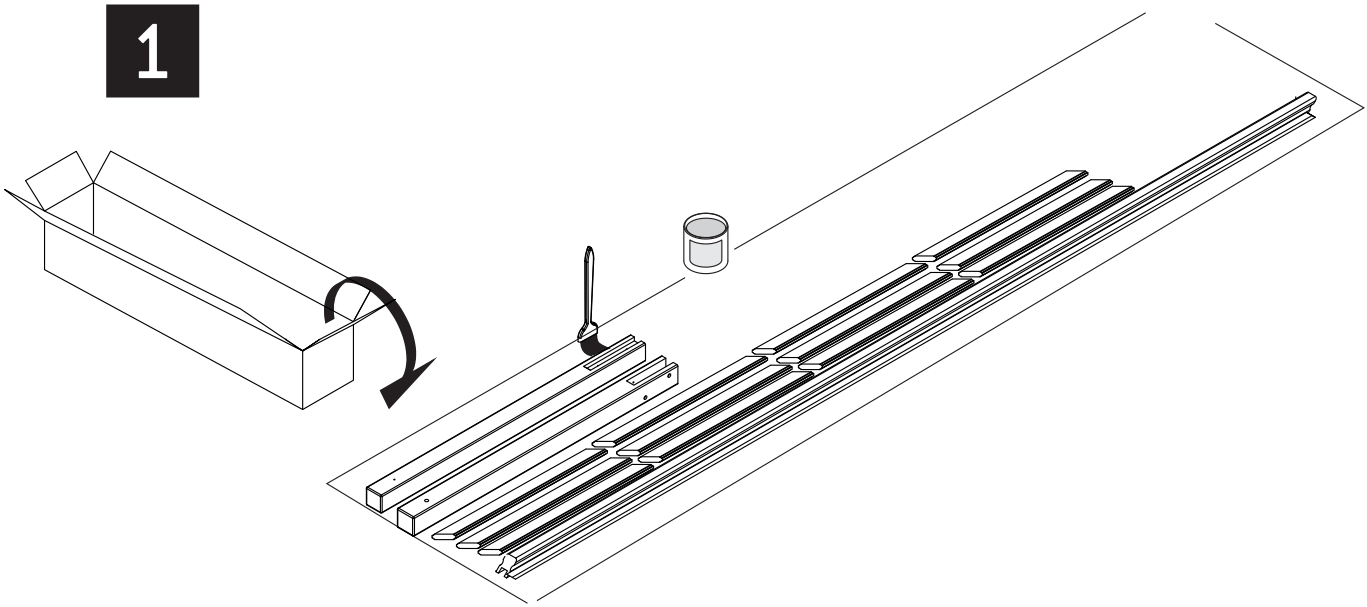
LT SAVOIE/JURATURÉKLAS "A" LAIPTAMS SU KETVIRČIO POSŪKIU.

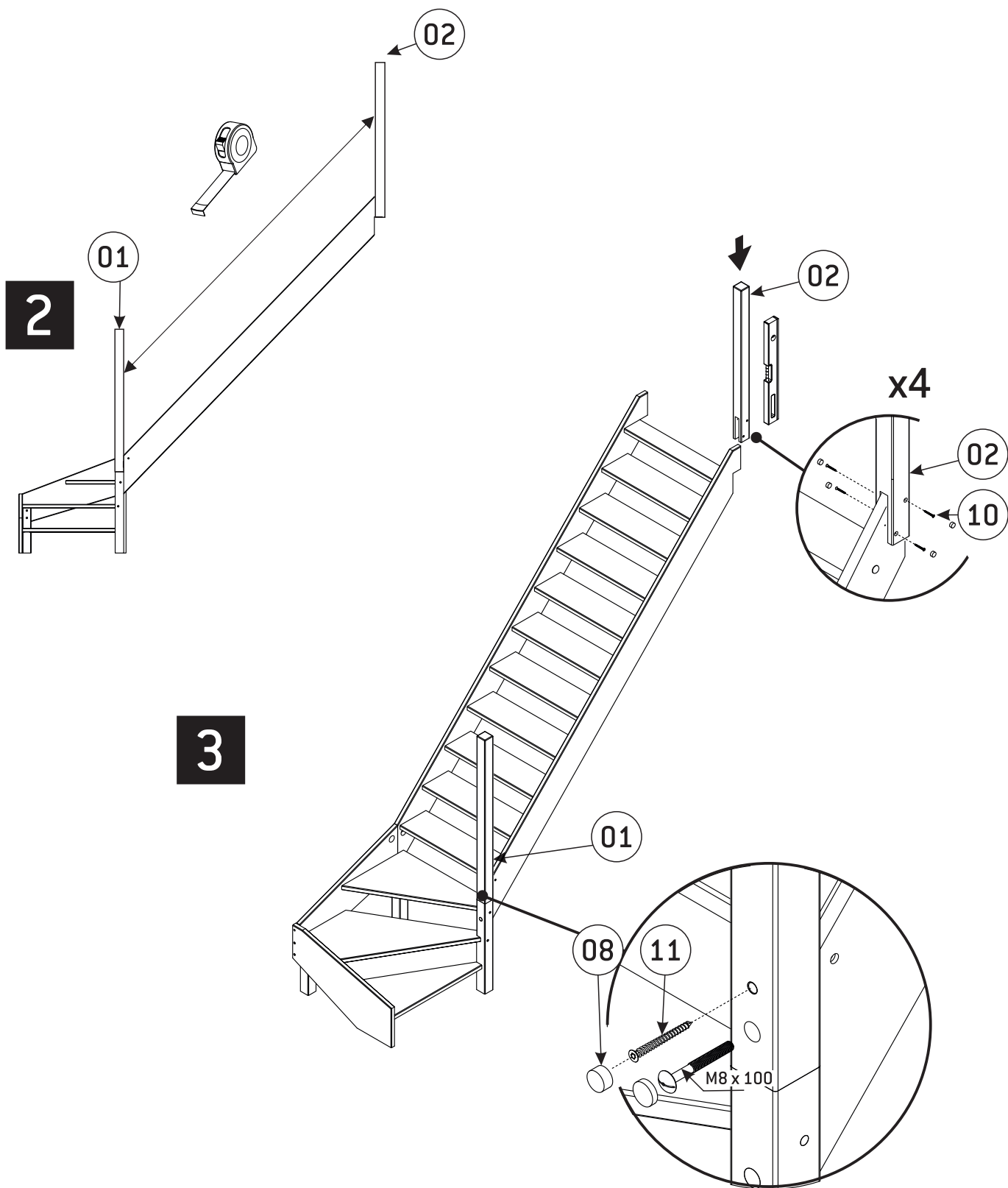
PL SAVOIE/JURA BALUSTRADA TYP A

<b>01</b> 70x70x1105 mm x1 	<b>02</b> 70x70x1109 mm x1 	<b>03</b> 25x62x850mm x12 	<b>04</b> 50x50x3150mm x1 	<b>05</b> 32x54x3150 x1 	<b>06</b> 26x16x3150mm x1 	<b>07</b> 45x25x176.49mm x2 	<b>09</b> 04x45mm x3+2 	<b>11</b> 05x60 mm x3+2 
						<b>08</b> 012x6mm x10+2 	<b>10</b> 04x40 mm x43+2 	

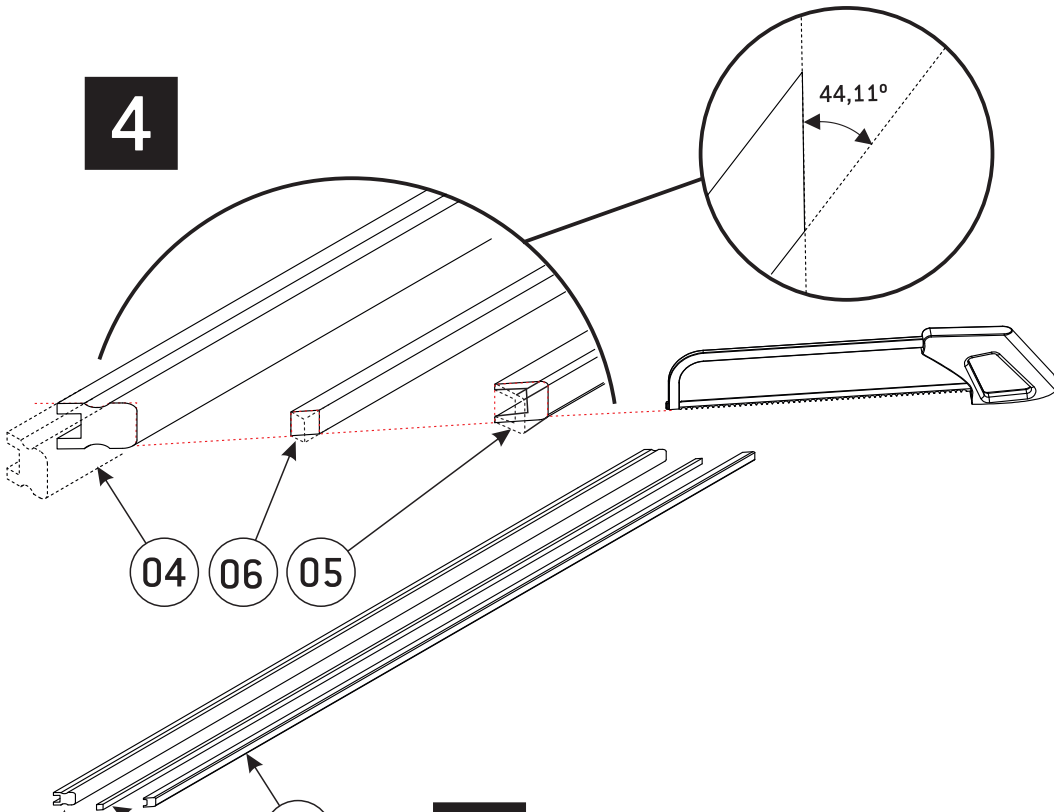


**1**

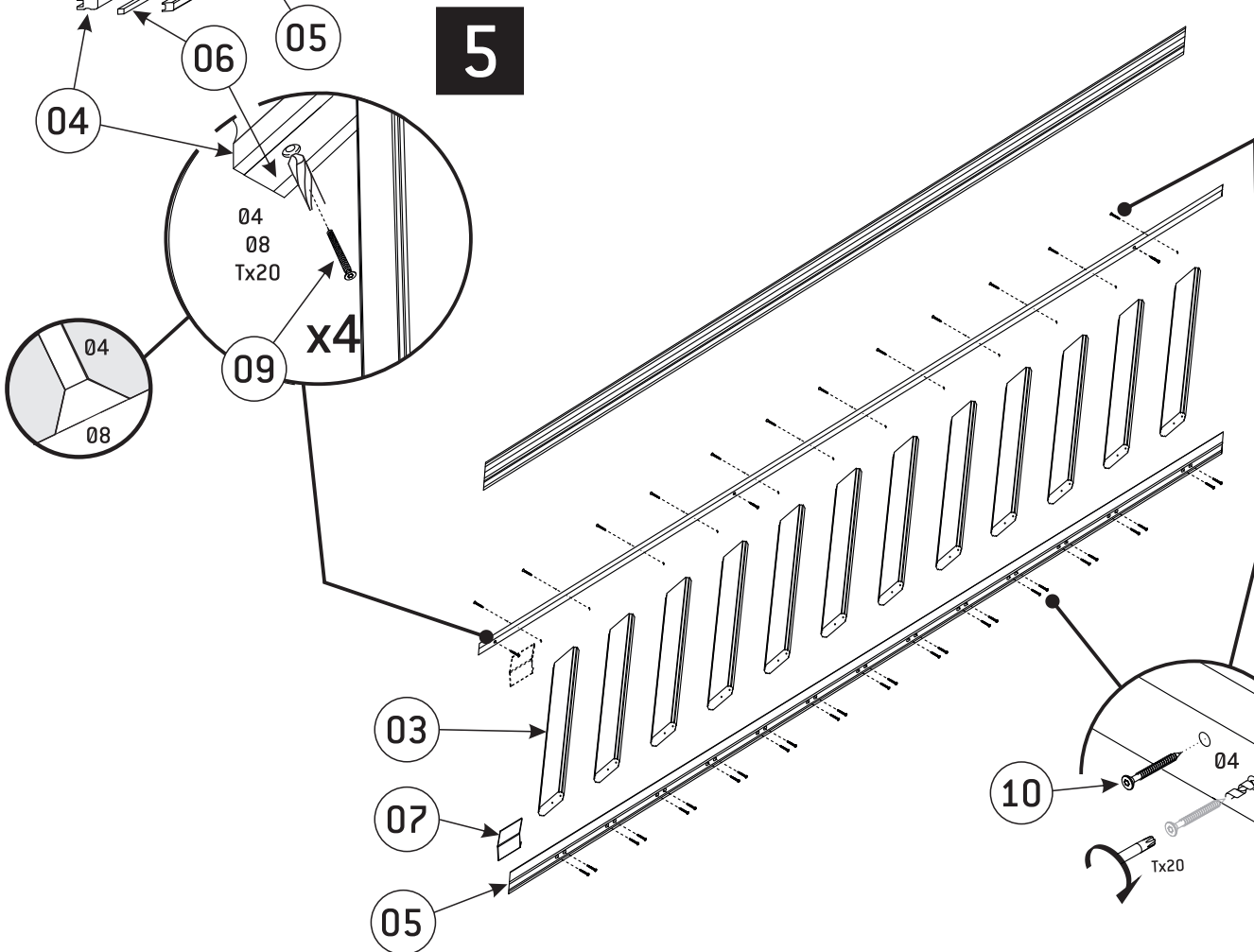




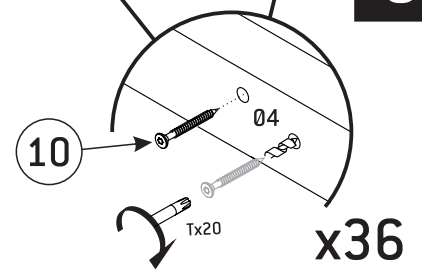
**4**



**5**

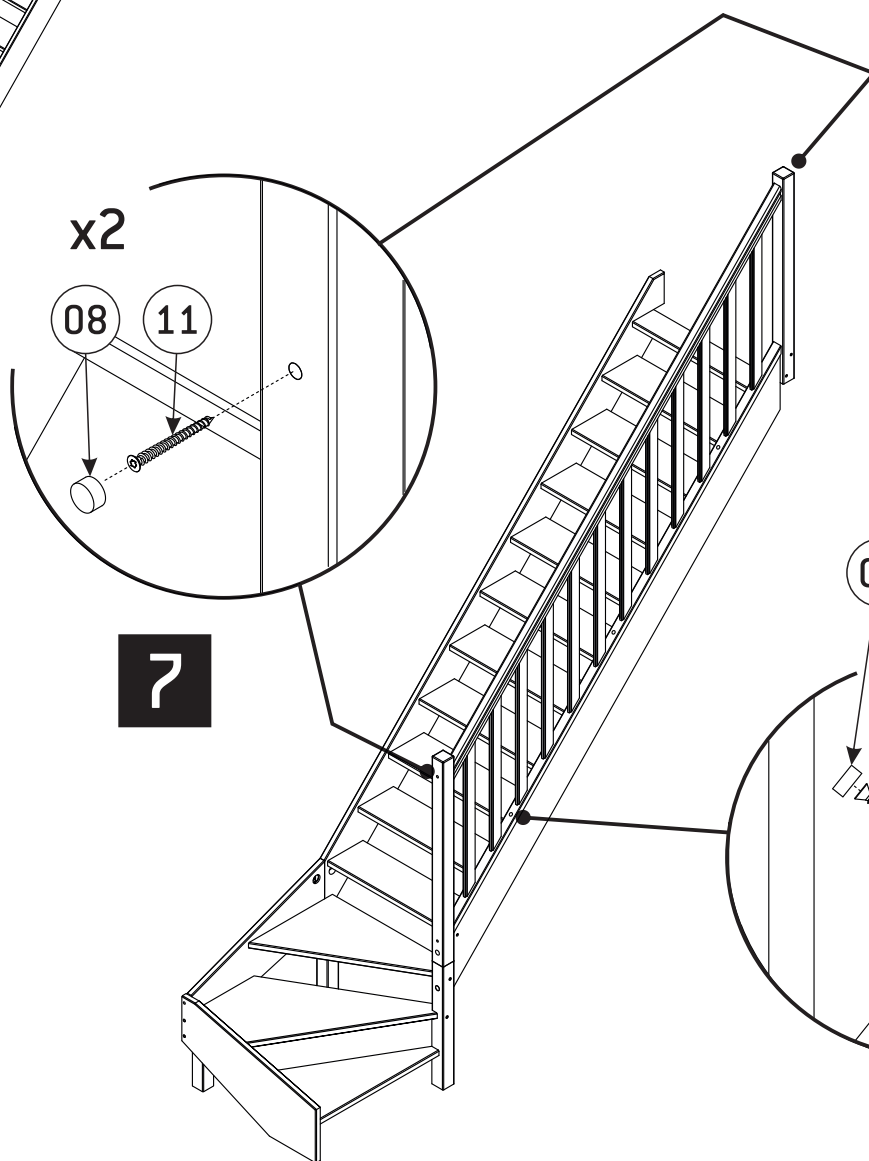
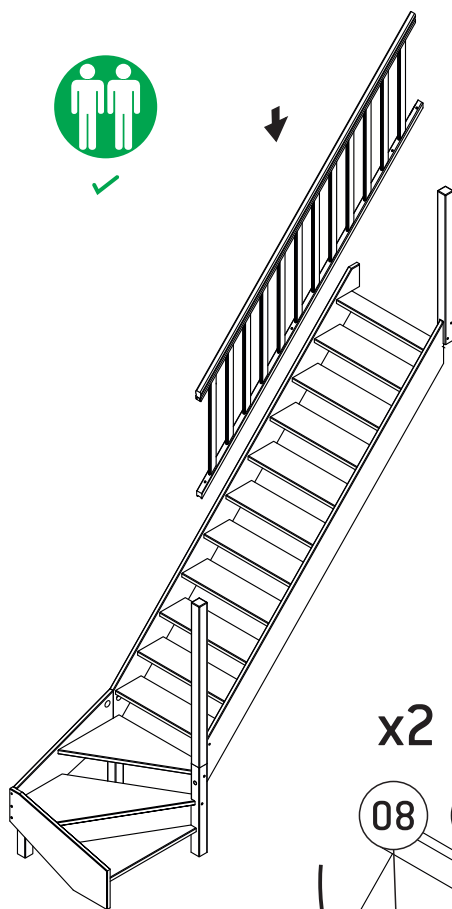


**6**





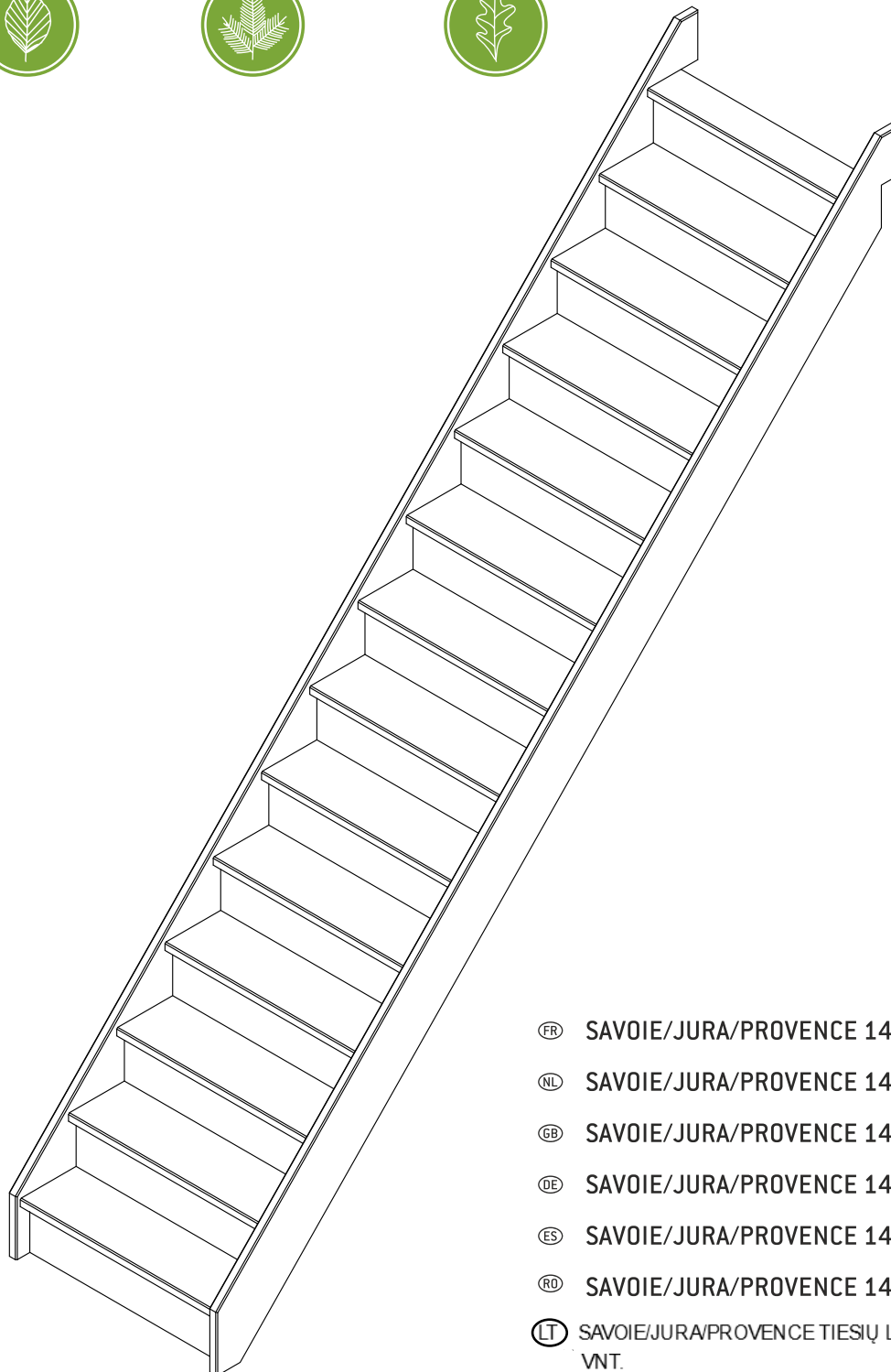
**6**



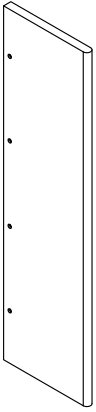
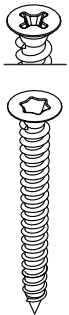

**7**

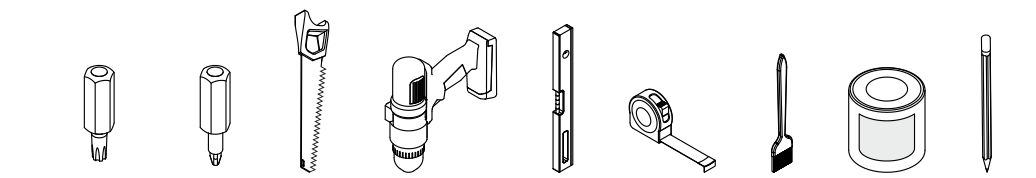
Producent: SOGEM Group, Rue Grimard, 39 B-6061 Montignies-Sur-Sambre (Charleroi) - Belgia  
 Dystrybucja: DOLLE Sp. z o.o., ul. Międzyrzecka 149, 43-382 Bielsko-Biała, Polska  
 Tel. 33 827-24-90, E-mail: biuro@dolle.com

# SAVOIE-JURA-PROVENCE



- Ⓧ SAVOIE/JURA/PROVENCE 14 CONTREMARCHE
- Ⓧ SAVOIE/JURA/PROVENCE 14 TEGENTREDEN
- Ⓧ SAVOIE/JURA/PROVENCE 14 RISERS STAIRCASE
- Ⓧ SAVOIE/JURA/PROVENCE 14 SETZSTUFEN
- Ⓧ SAVOIE/JURA/PROVENCE 14 CONTRAHUELLAS
- Ⓧ SAVOIE/JURA/PROVENCE 14 CONTRATREPTA SCARA
- Ⓧ SAVOIE/JURA/PROVENCE TIESIŲ LAIPTŲ PAKOPŲ UŽDENGIMAI. 14 VNT.
- PL SAVOIE/JURA/PROVENCE 14 PODSTOPNI

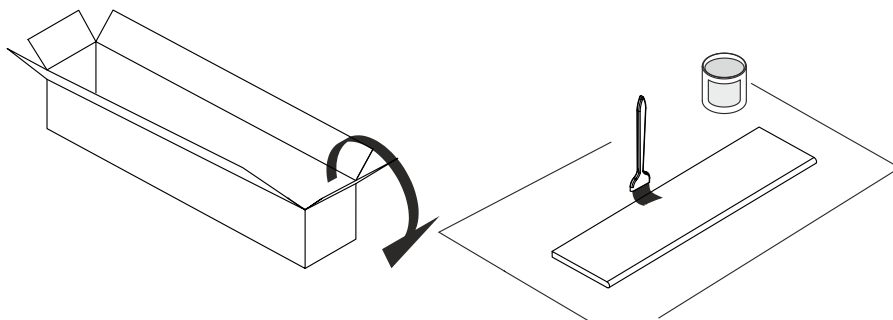
<p><b>01</b> 18x206x770 mm x14</p>  <p>PROVENCE 70012083 SAVOIE 70012053 JURA 70012023</p>	<p><b>02</b> 04 x 40 mm x52+2</p>  <p>70031054</p>	<p><b>03</b> 04 x 35 mm x8</p>  <p>70031050</p>
---	---	---



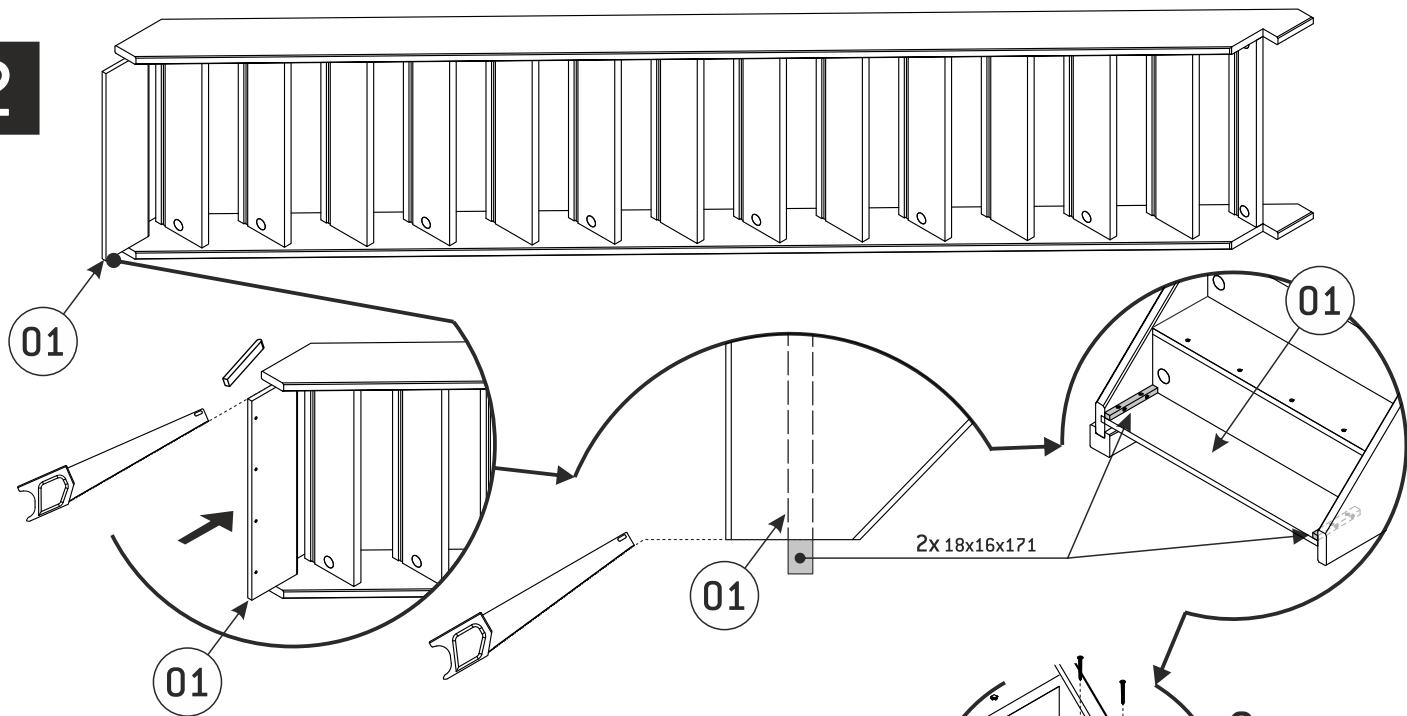
Tx10-30

Ph2/3  
Pz2/3

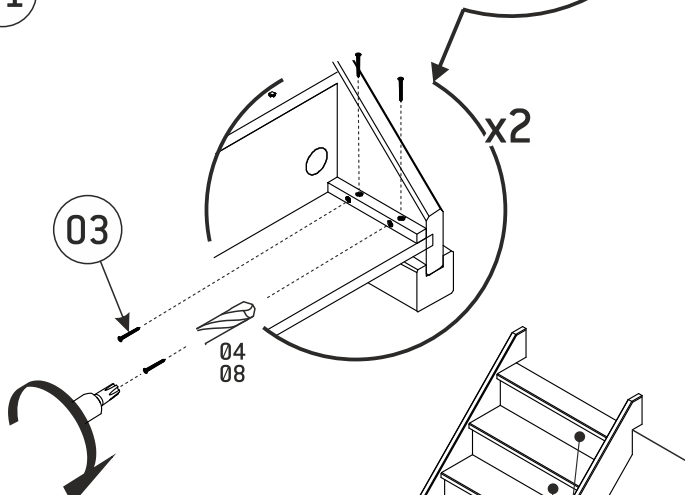
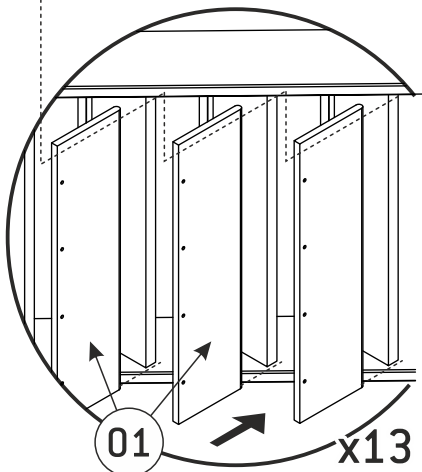
## 1



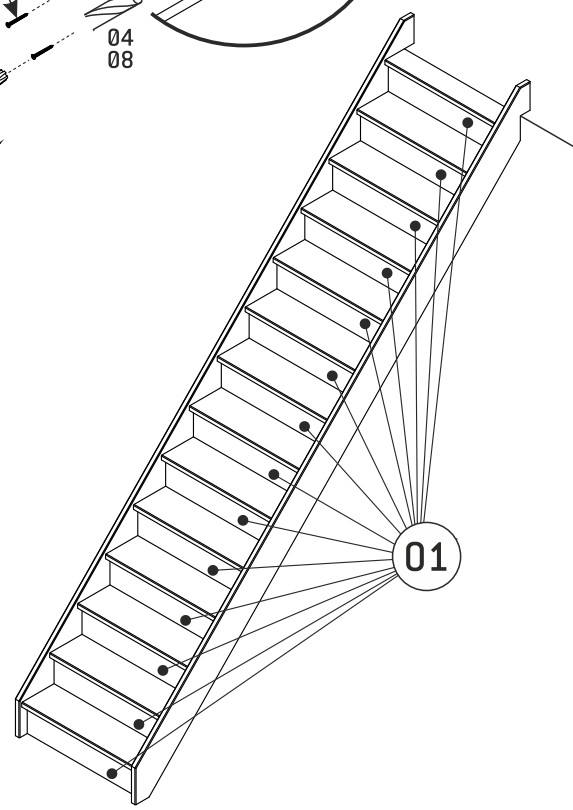
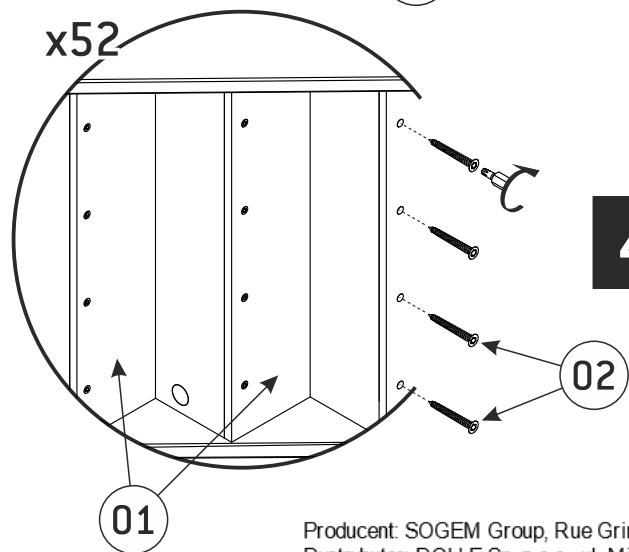
2



3



4



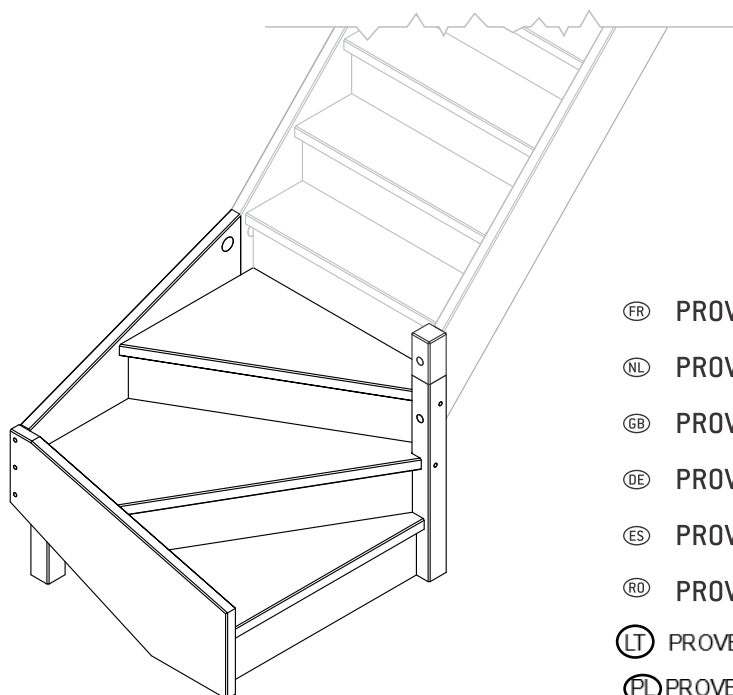
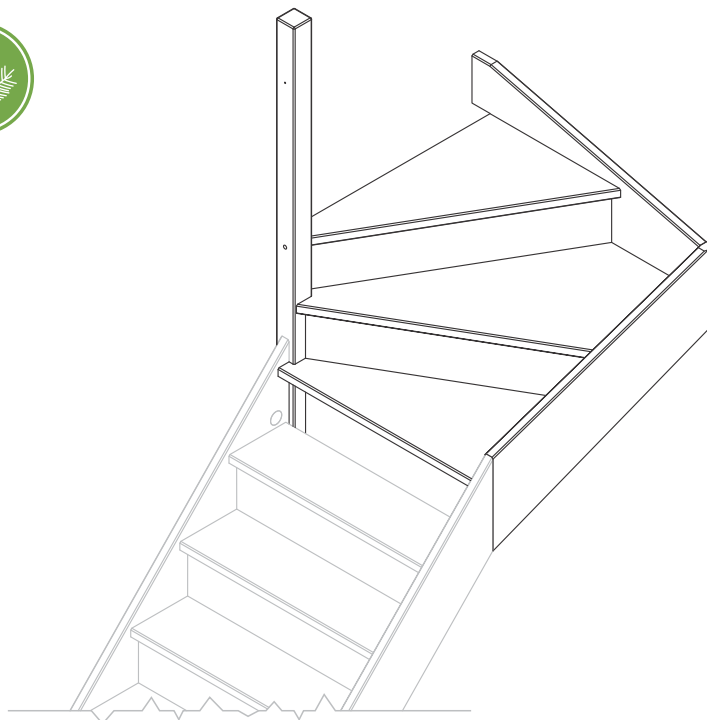
Producent: SOGEM Group, Rue Grimard, 39 B-6061 Montignies-Sur-Sambre (Charleroi) - Belgia  
 Dystrybutor: DOLLE Sp. z o.o., ul. Międzyrzecka 149, 43-382 Bielsko-Biała, Polska  
 Tel. 33 827-24-90, E-mail: biuro@dolle.com



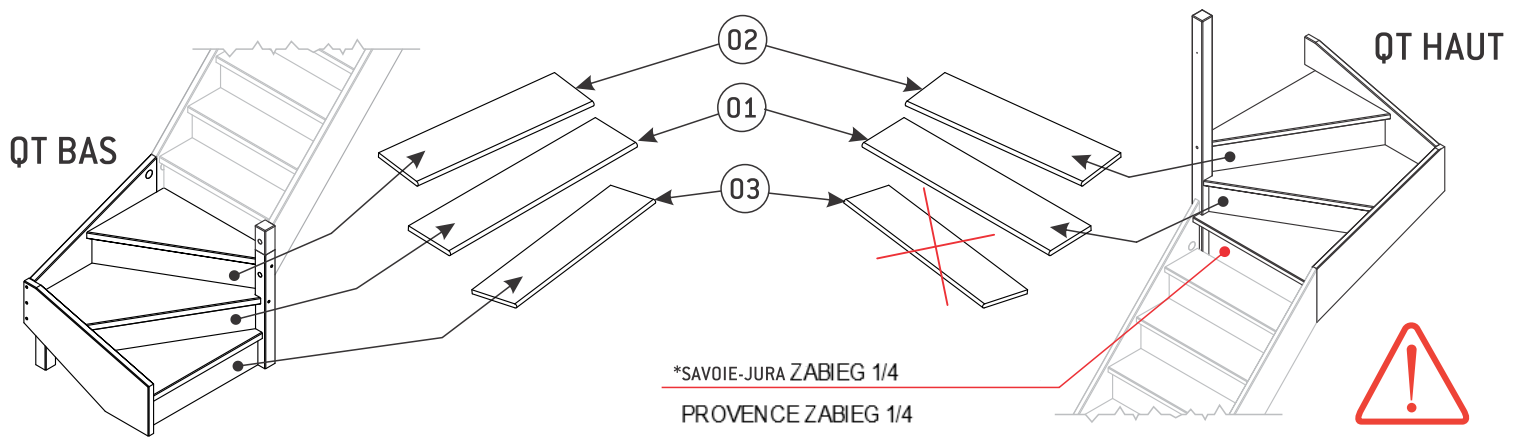
SOGEM

DOLLE

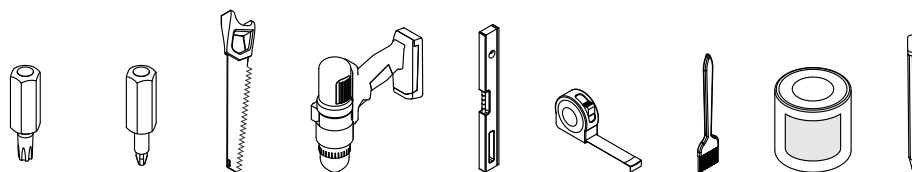
# PROVENCE- SAVOIE-JURA 1/4T / 1/4T<sup>HAUT</sup>



- Ⓡ PROVENCE/SAVOIE/JURA 3 CONTREMARCHES
- ⓃL PROVENCE/SAVOIE/JURA 3 TEGENTREDEN
- ⓄB PROVENCE/SAVOIE/JURA 3 RISERS STAIRCASE
- ⓄE PROVENCE/SAVOIE/JURA 3 SETZSTUFEN
- ⓄS PROVENCE/SAVOIE/JURA 3 CONTRAHUELLAS
- ⓇO PROVENCE/SAVOIE/JURA 3 CONTRATREPTÉ SCARA
- ⓃT PROVENCE/SAVOIE/JURA posūkio pakopų uždengimai
- ⓄL PROVENCE/SAVOIE/JURA 3 PODSTOPNIE



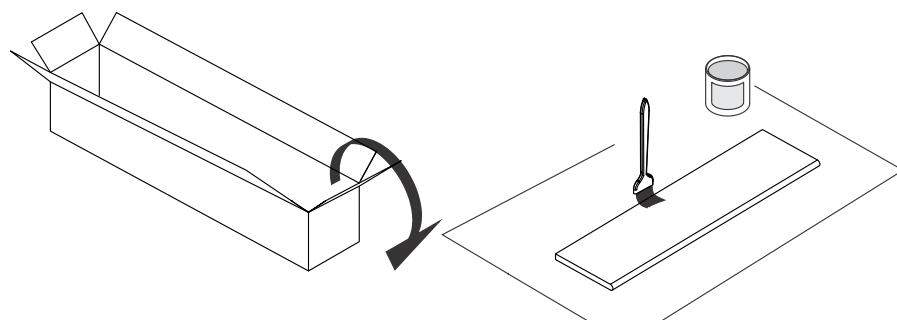
01	02	03	04
18x206x960 mm	18x206x915 mm	18x181x770 mm	04 x 40 mm
x1	x1	x1	x8+2
PROVENCE 70012084 SAVOIE 70012054 JURA 70012024	PROVENCE 70012085 SAVOIE 70012055 JURA 70012025	PROVENCE 70012086 SAVOIE 70012056 JURA 70012026	70031054

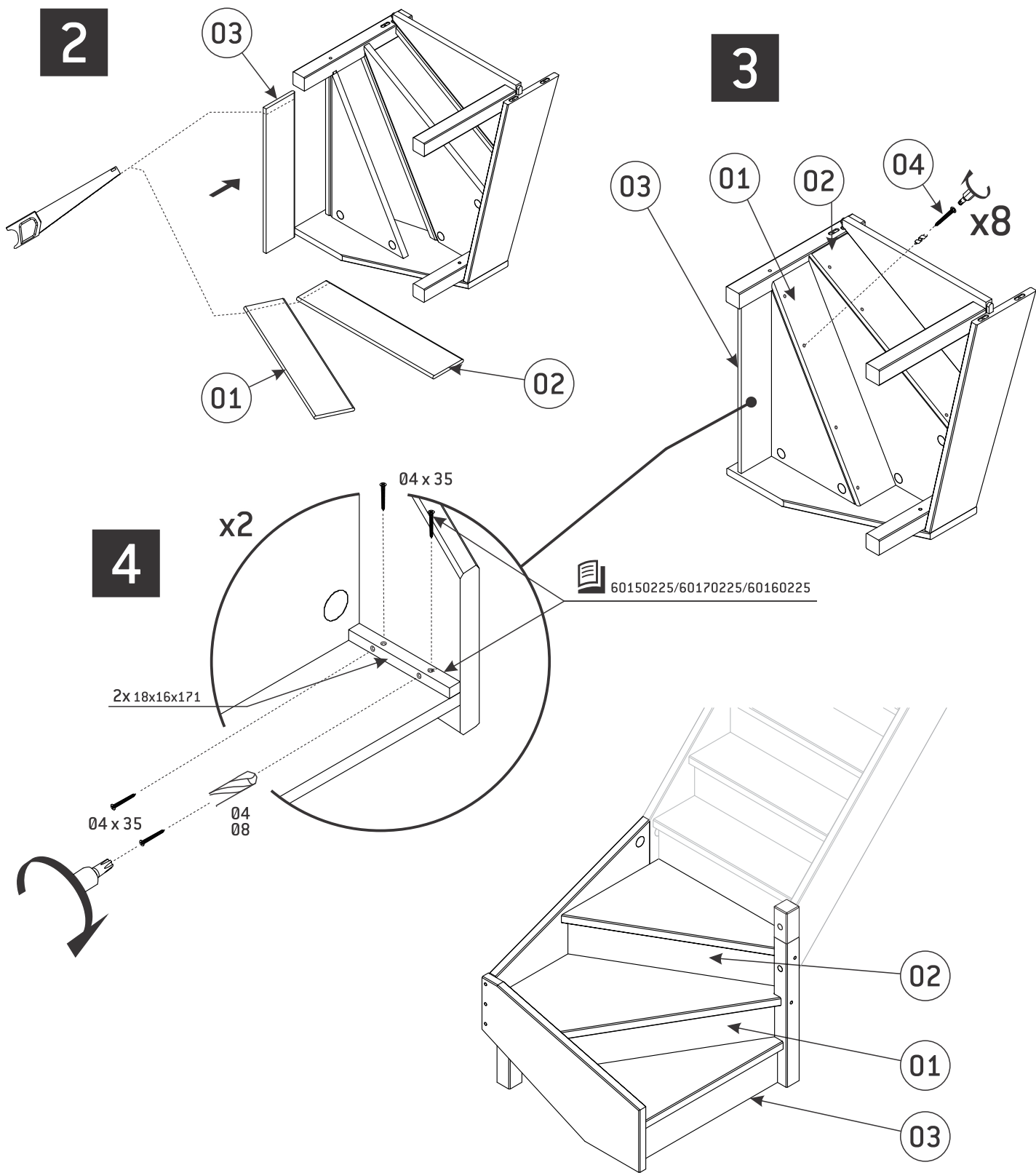


Tx10-30

Ph2/3  
Pz2/3

**1**





Producent: SOGEM Group, Rue Grimard, 39 B-6061 Montignies-Sur-Sambre (Charleroi) - Belgia  
 Dystrybutor: DOLLE Sp. z o.o., ul. Międzyrzecka 149, 43-382 Bielsko-Biała, Polska  
 Tel. 33 827-24-90, E-mail: biuro@dolle.com