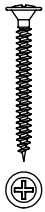


19



x 1
K3-06200
Ø4 x 40

20



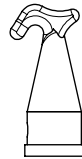
x 1
K1-20606

21



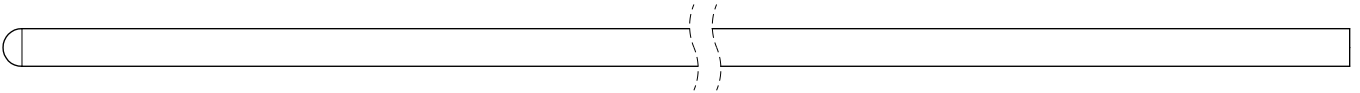
x 1
K1-20643

29



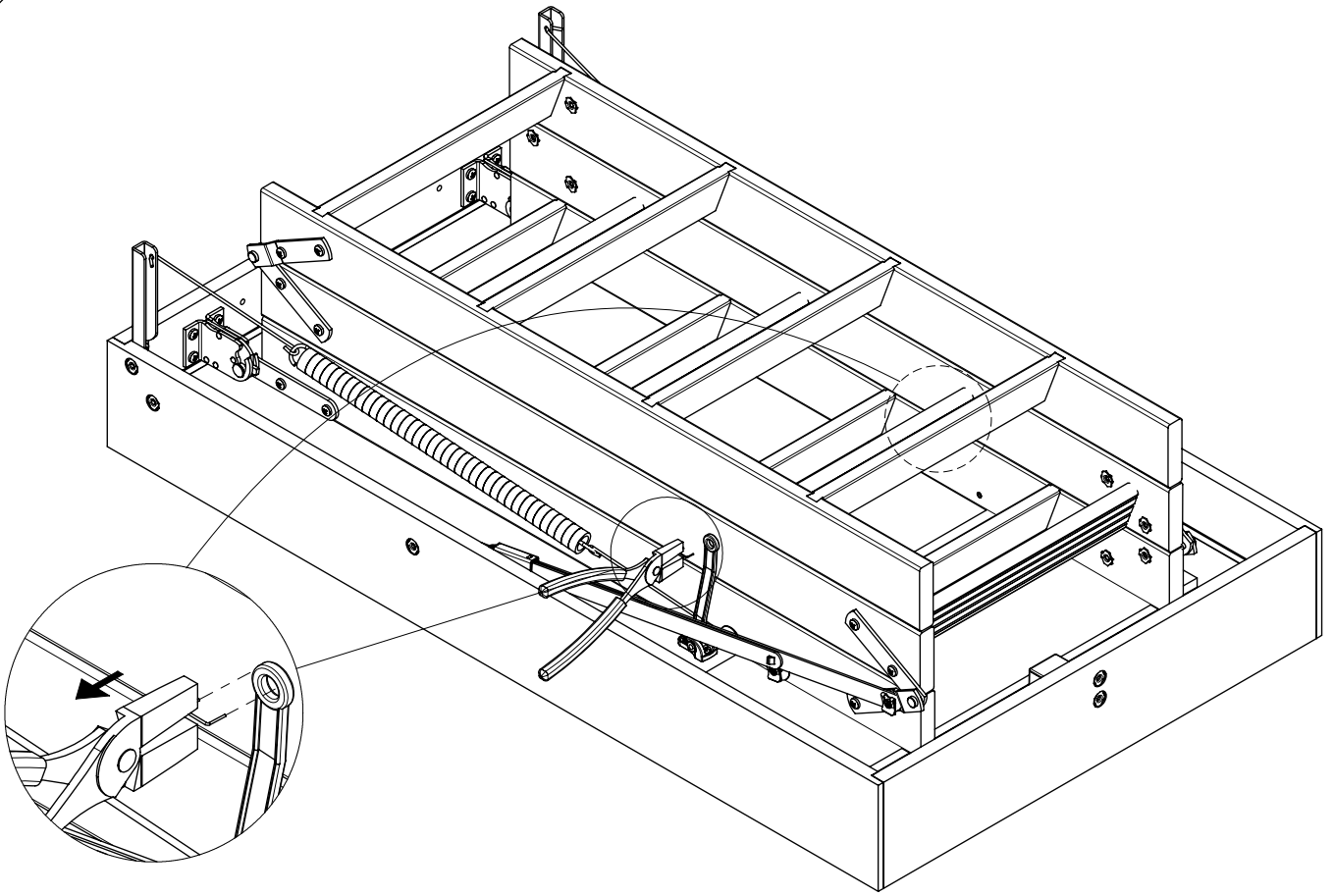
x 1
R1-66005

30

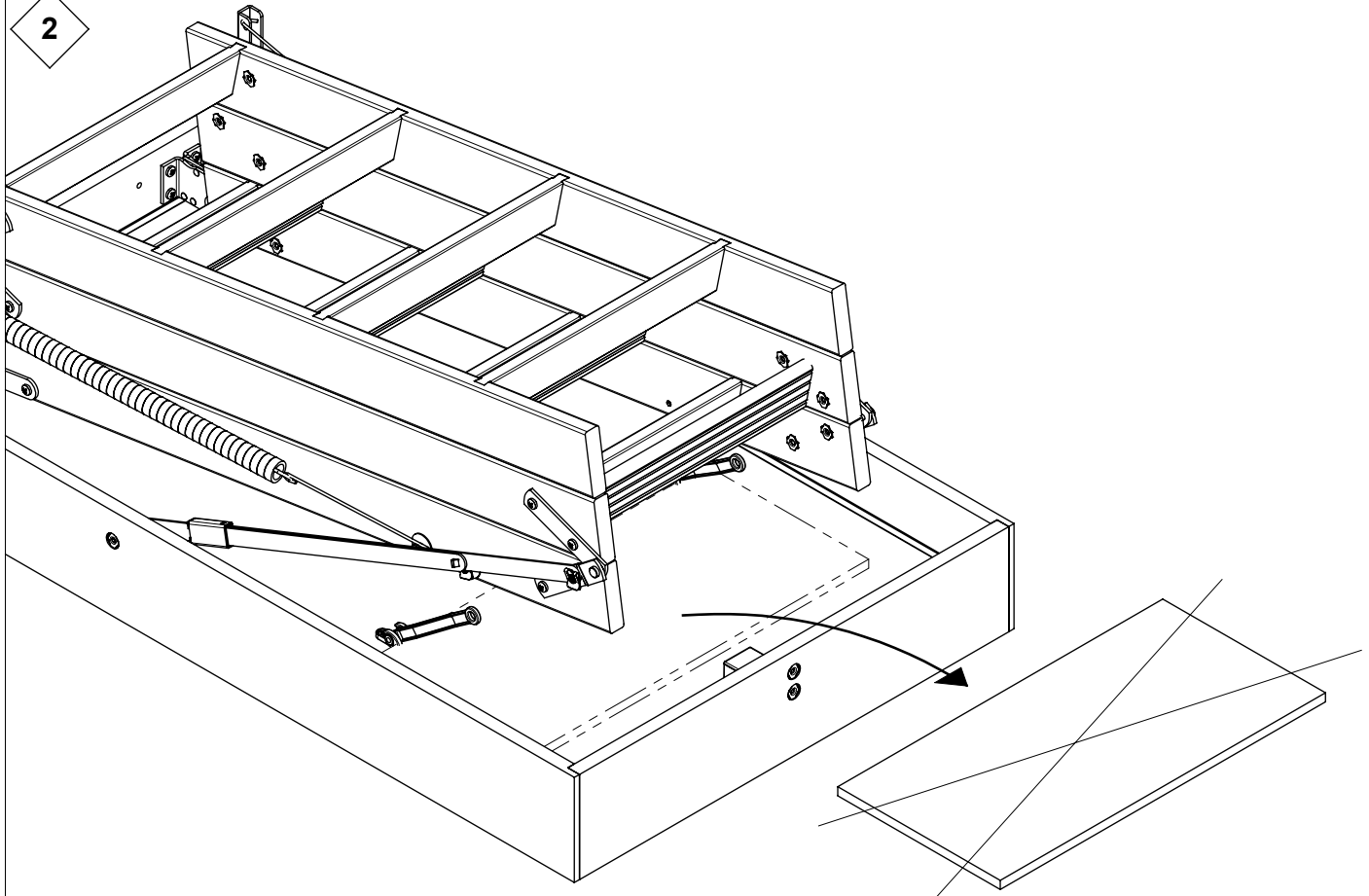


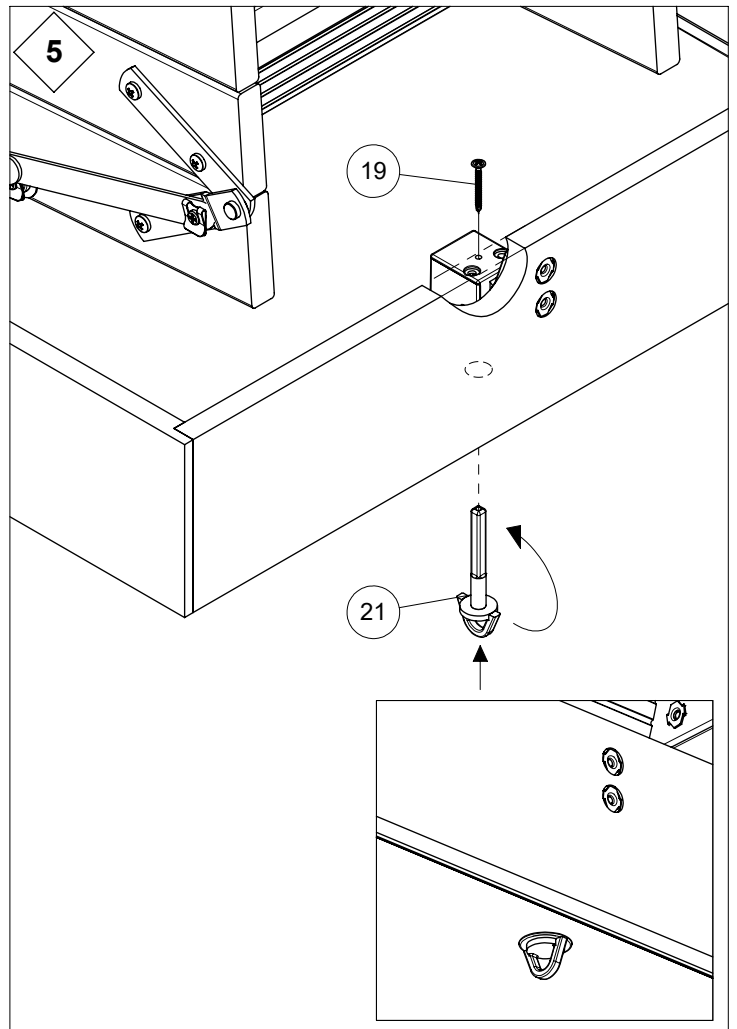
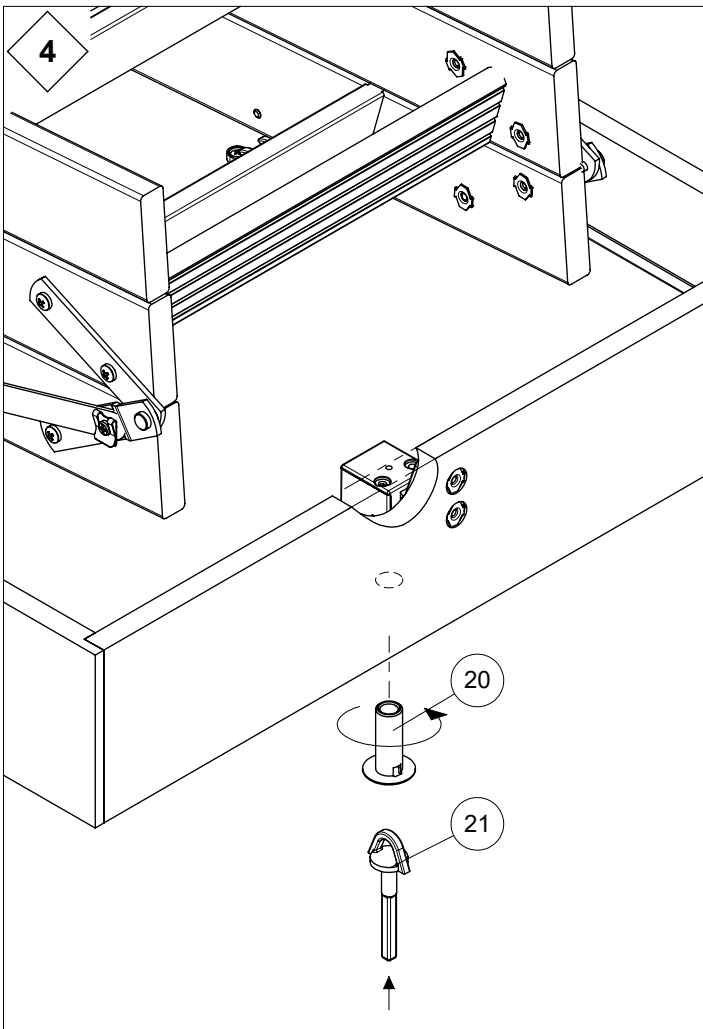
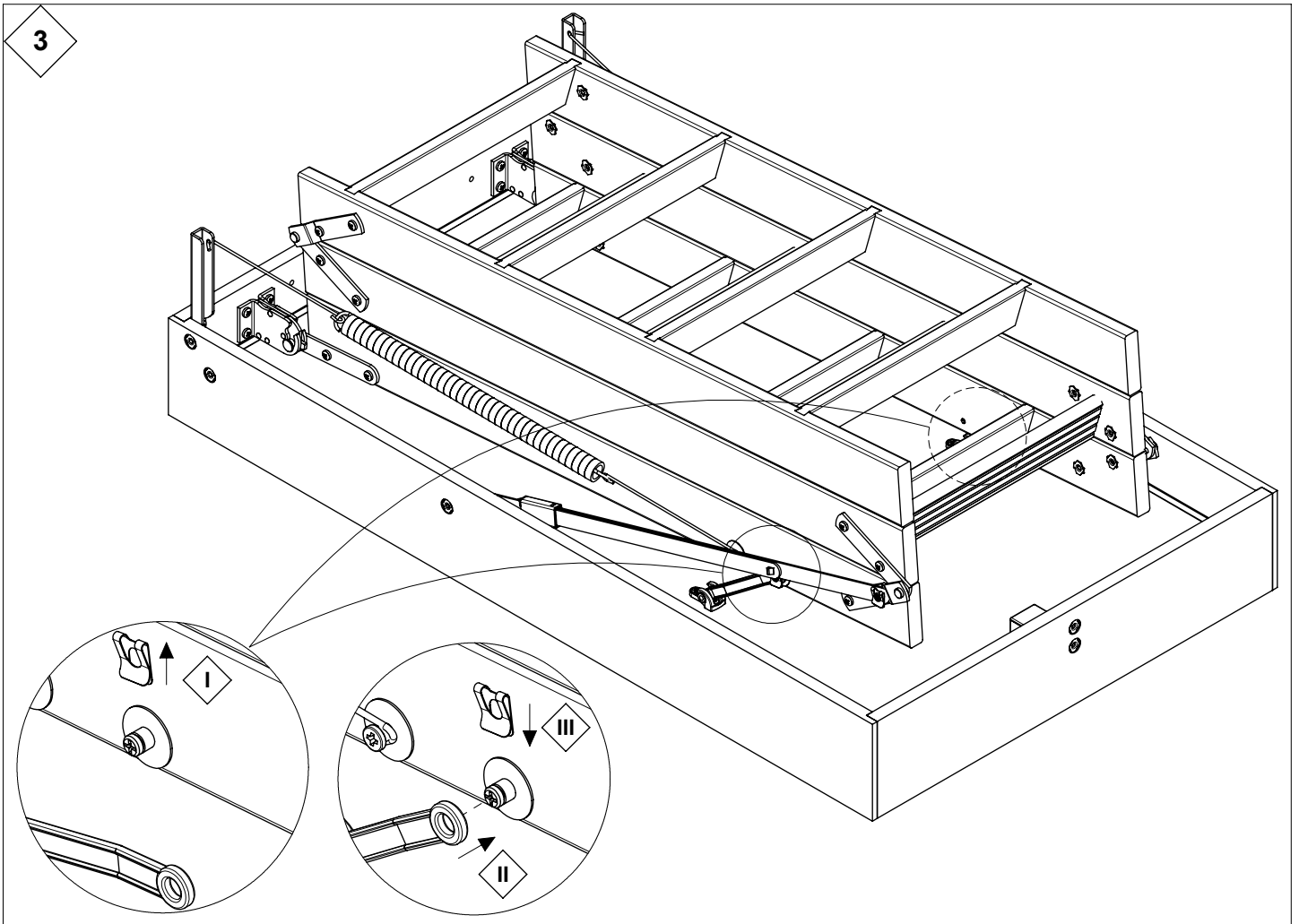
x 1
R1-40980

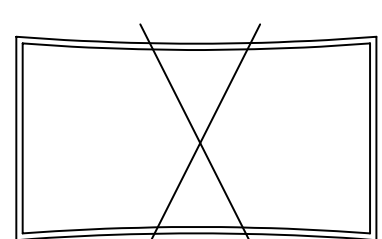
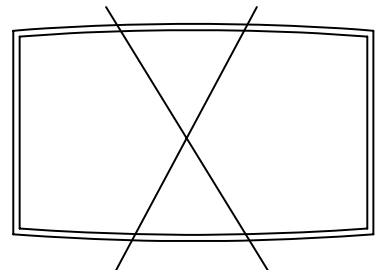
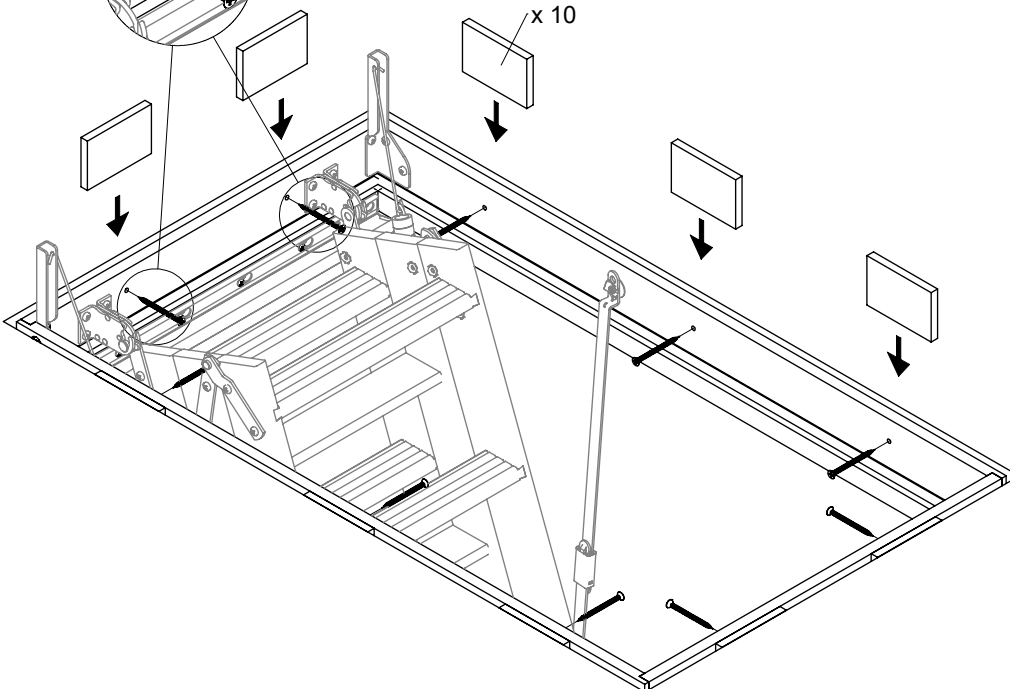
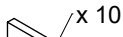
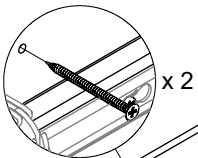
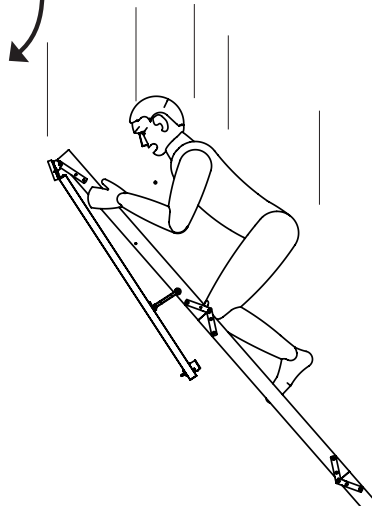
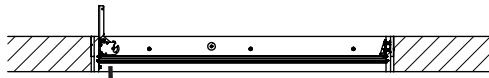
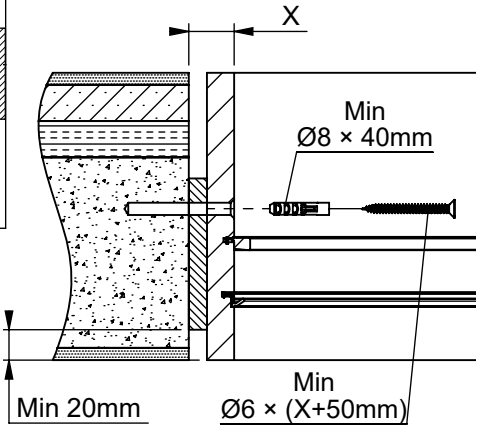
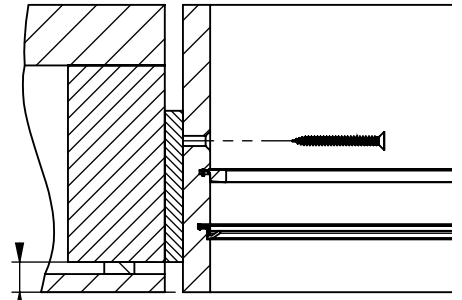
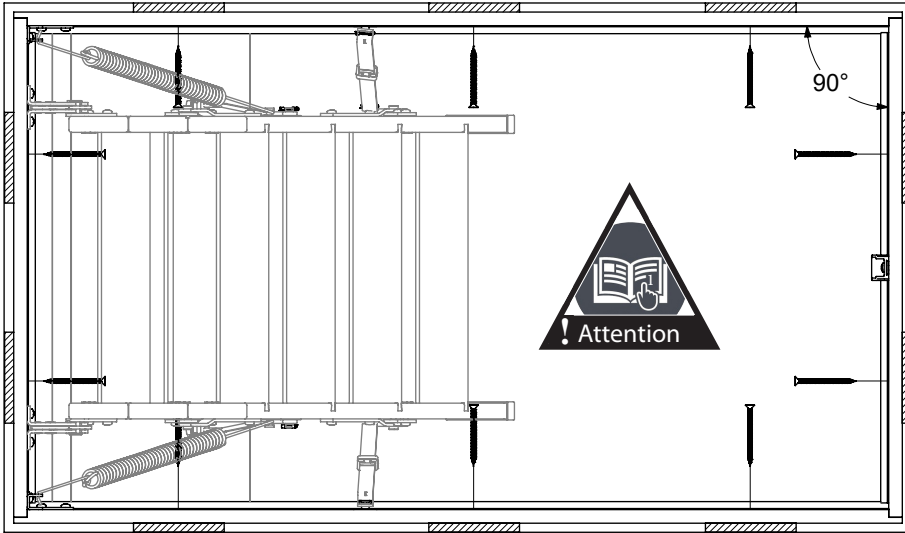
1



2







7

