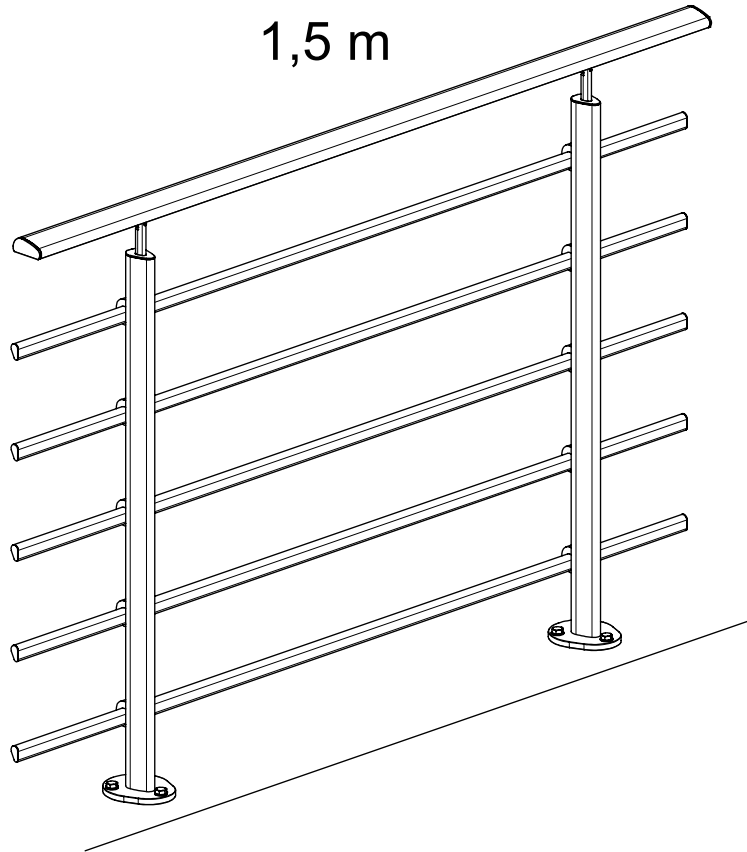
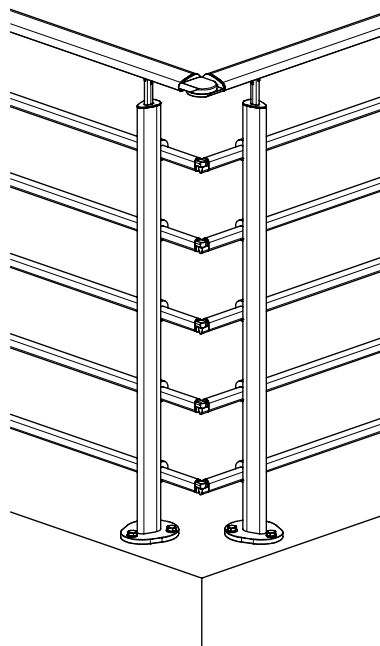


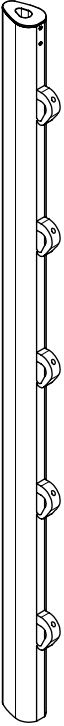
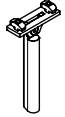
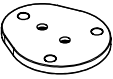

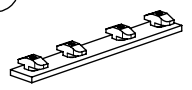
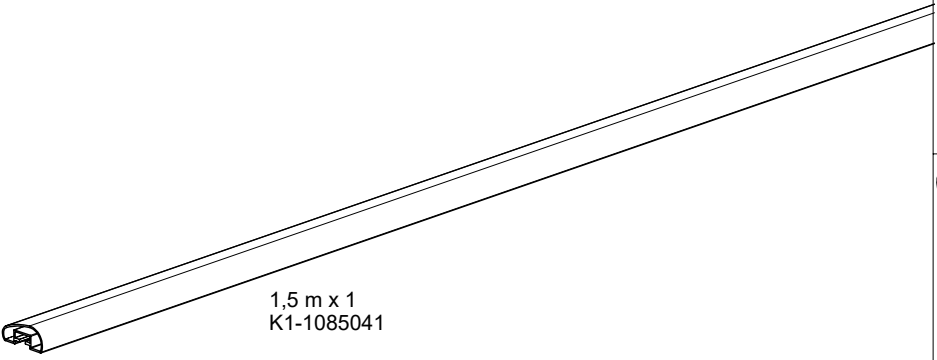


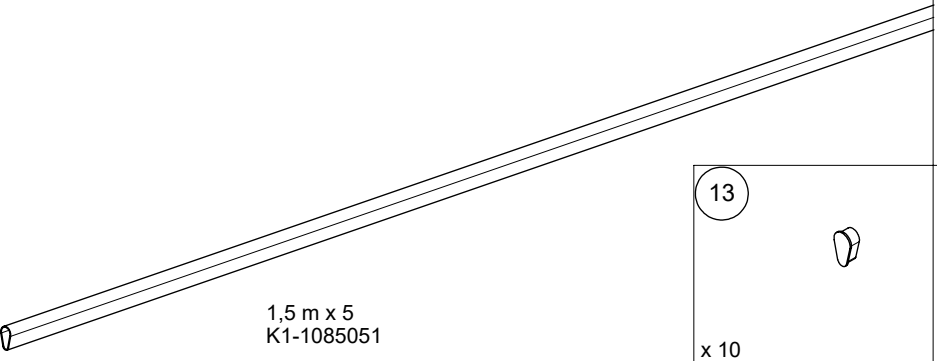
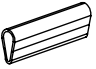


PS 200

1,5 m


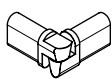


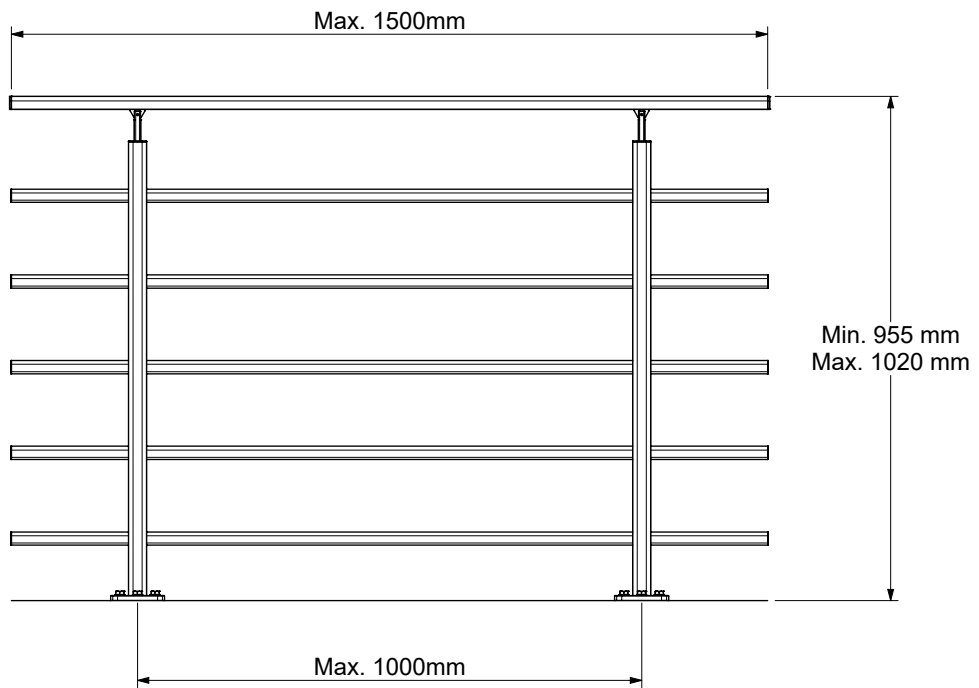
OPTION



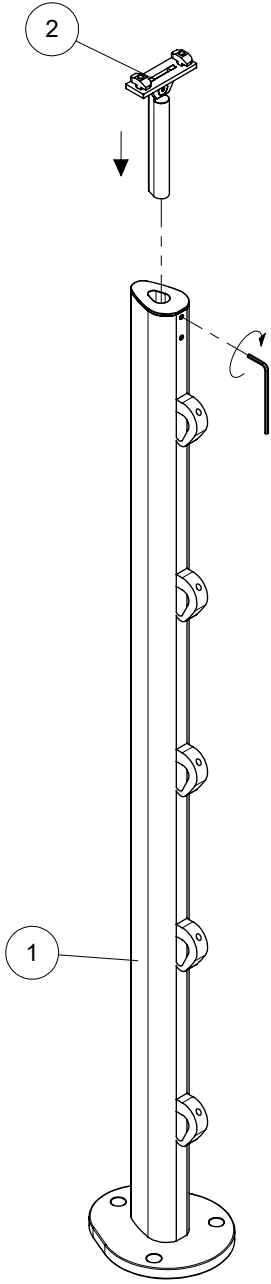
<p>1</p>  <p>x 2 K2-1085001</p>	<p>2</p>  <p>x 2 K2-1085018</p>	<p>3</p>  <p>x 2 K1-1085011</p>	<p>4</p>  <p>x 4 K3-02155 M10 x 100</p>	<p>7</p>  <p>x 1 K2-1085040</p>
<p>8</p>  <p>1,5 m x 1 K1-1085041</p>		<p>9</p>  <p>Droite Rechts Derecha</p> <p>x 1 K2-1085048</p>	<p>10</p>  <p>Gauche Links Izquierda</p> <p>x 1 K2-1085049</p>	
<p>11</p>  <p>1,5 m x 5 K1-1085051</p>		<p>12</p>  <p>x 5 K1-1085059</p>	<p>13</p>  <p>x 10 K1-1085058</p>	<p>14</p>  <p>x 1 K3-90001</p>

**PS 202
OPTION**

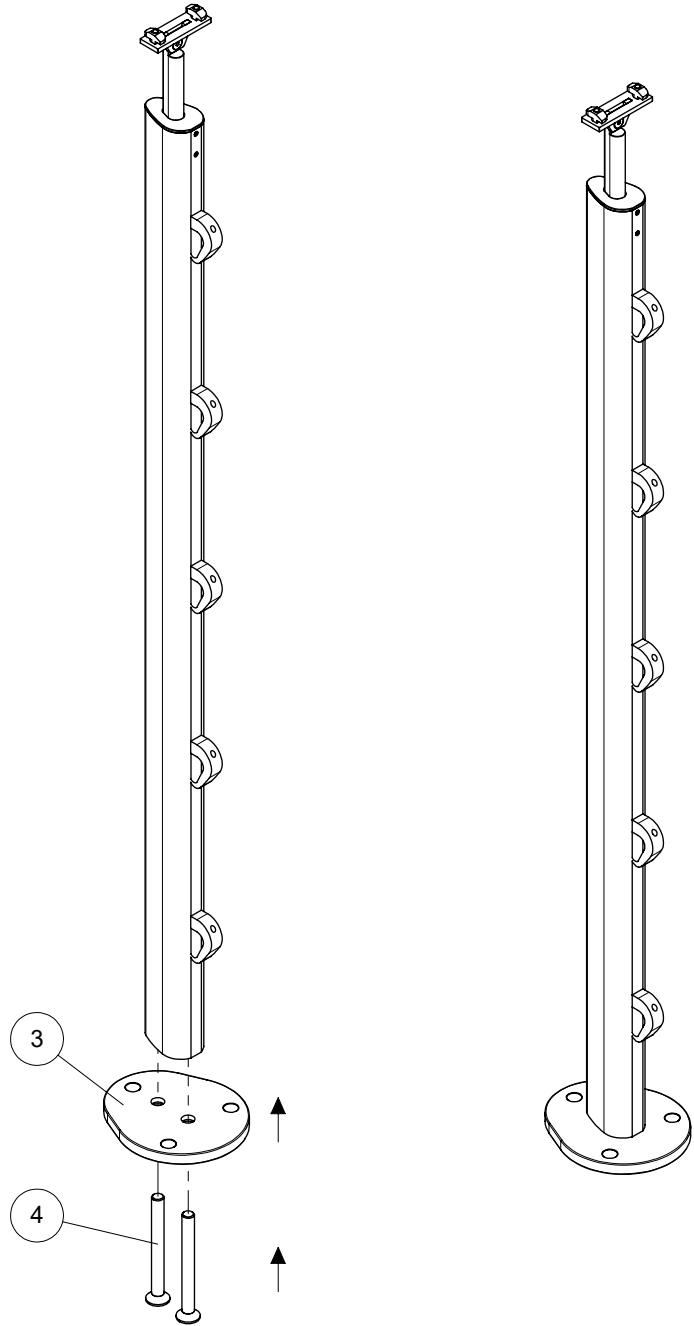
<p>20</p>  <p>x 1 K2-1085060</p>	<p>21</p>  <p>x 5 K2-1085062</p>
---	---



1

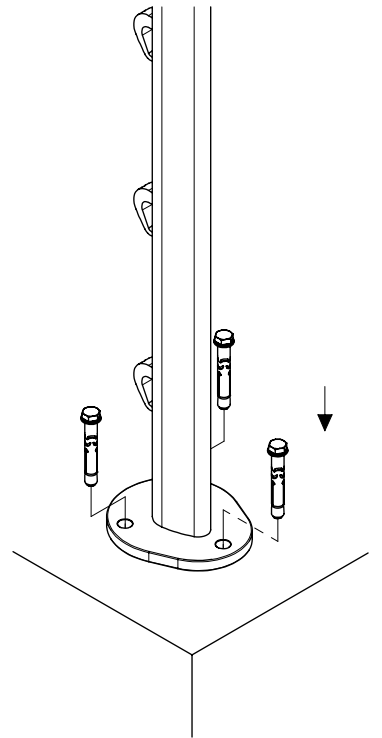
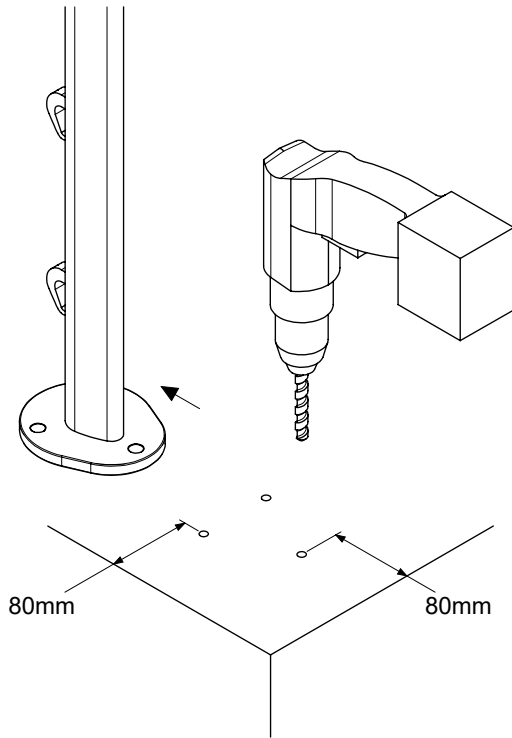
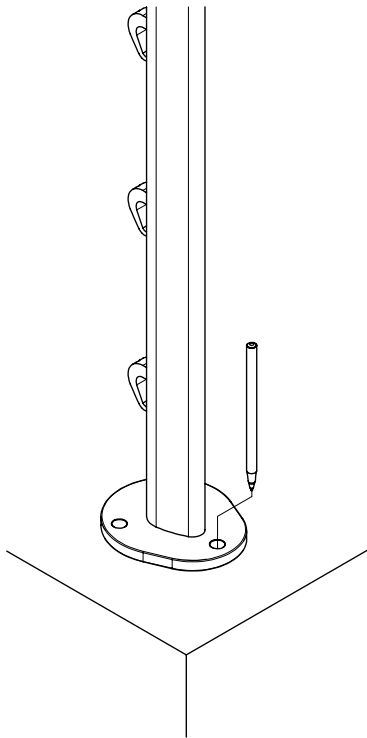


2



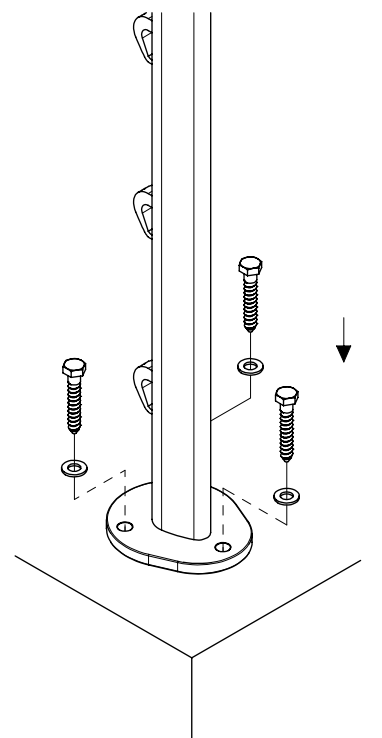
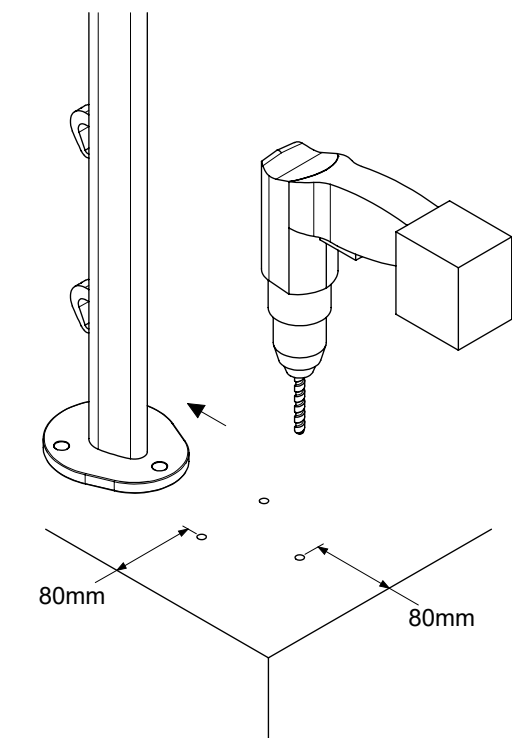
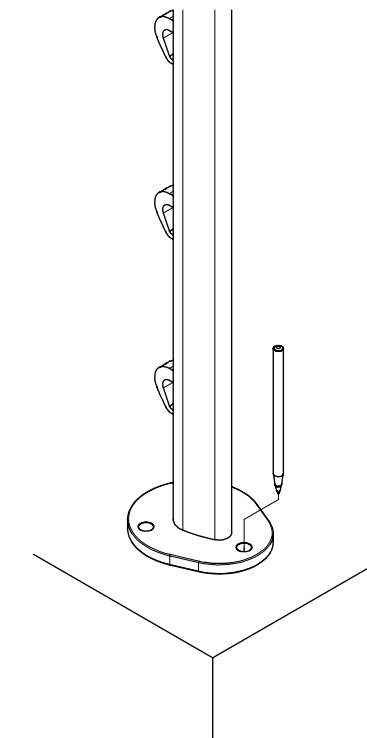
3

Alt A

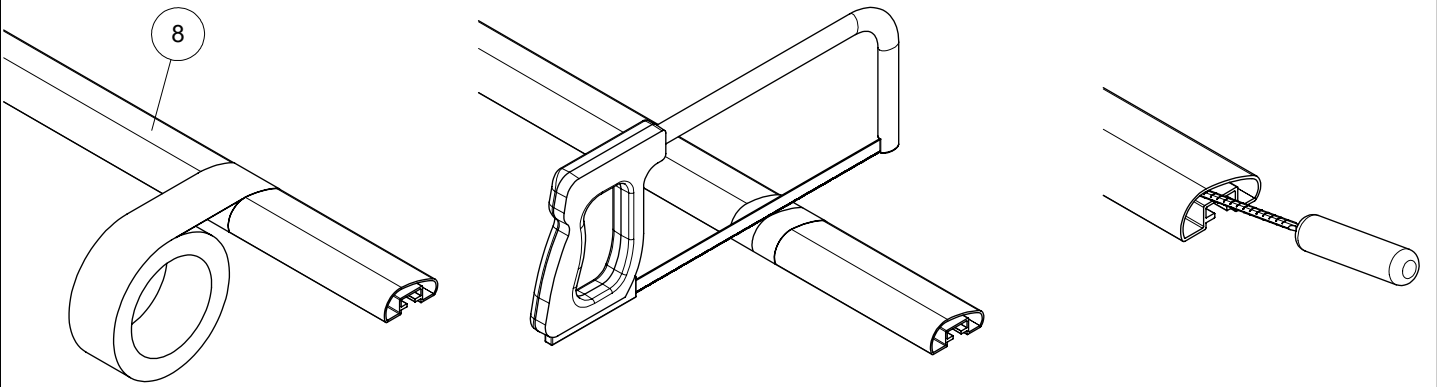


3

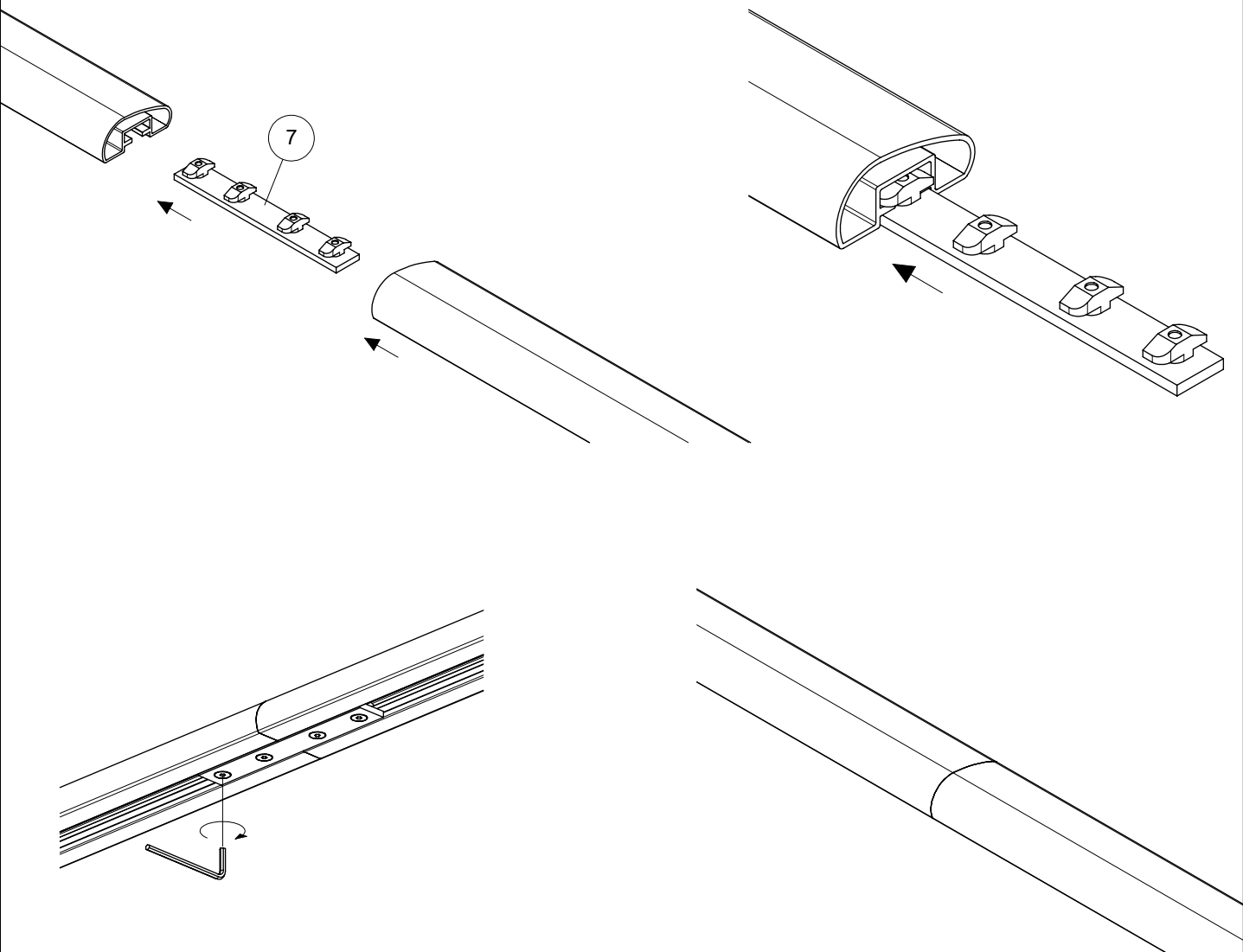
Alt B

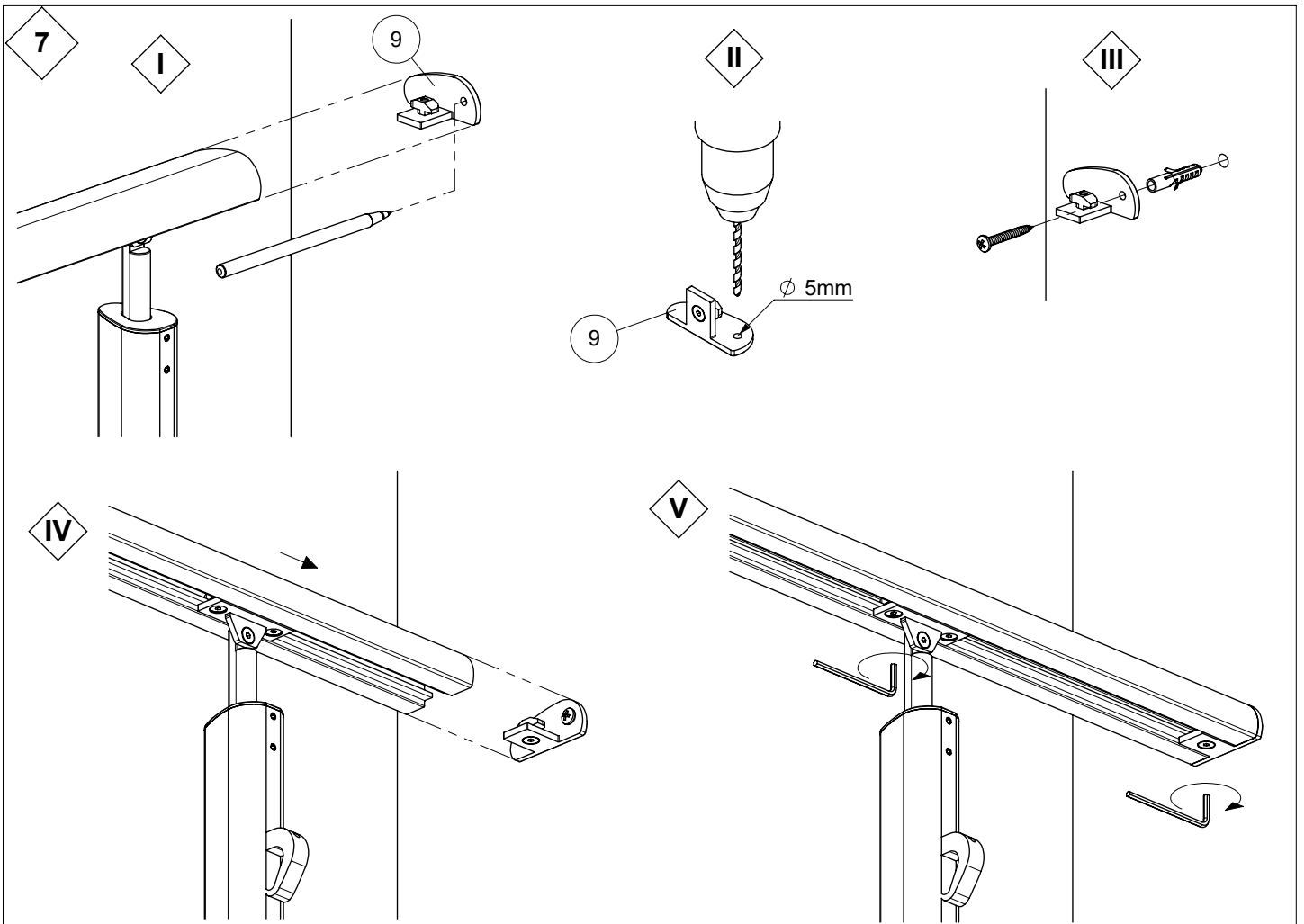
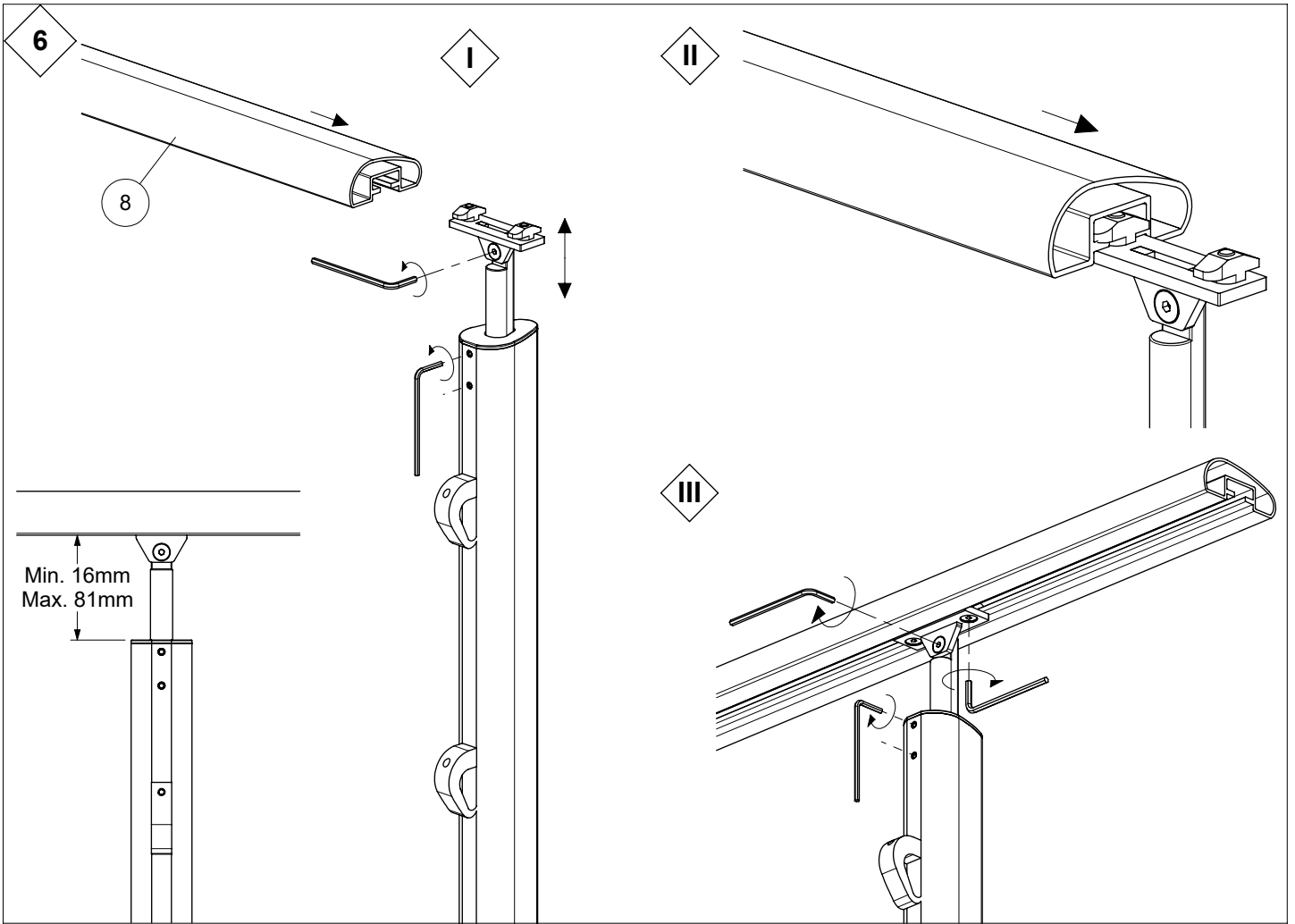


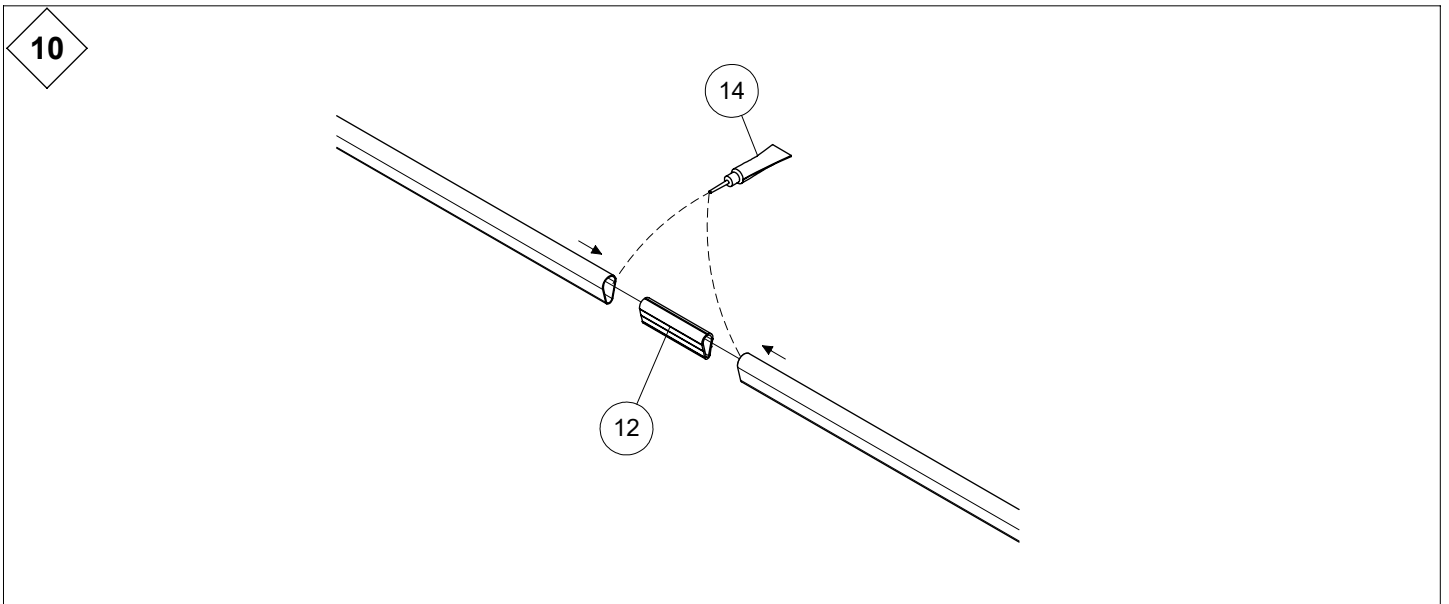
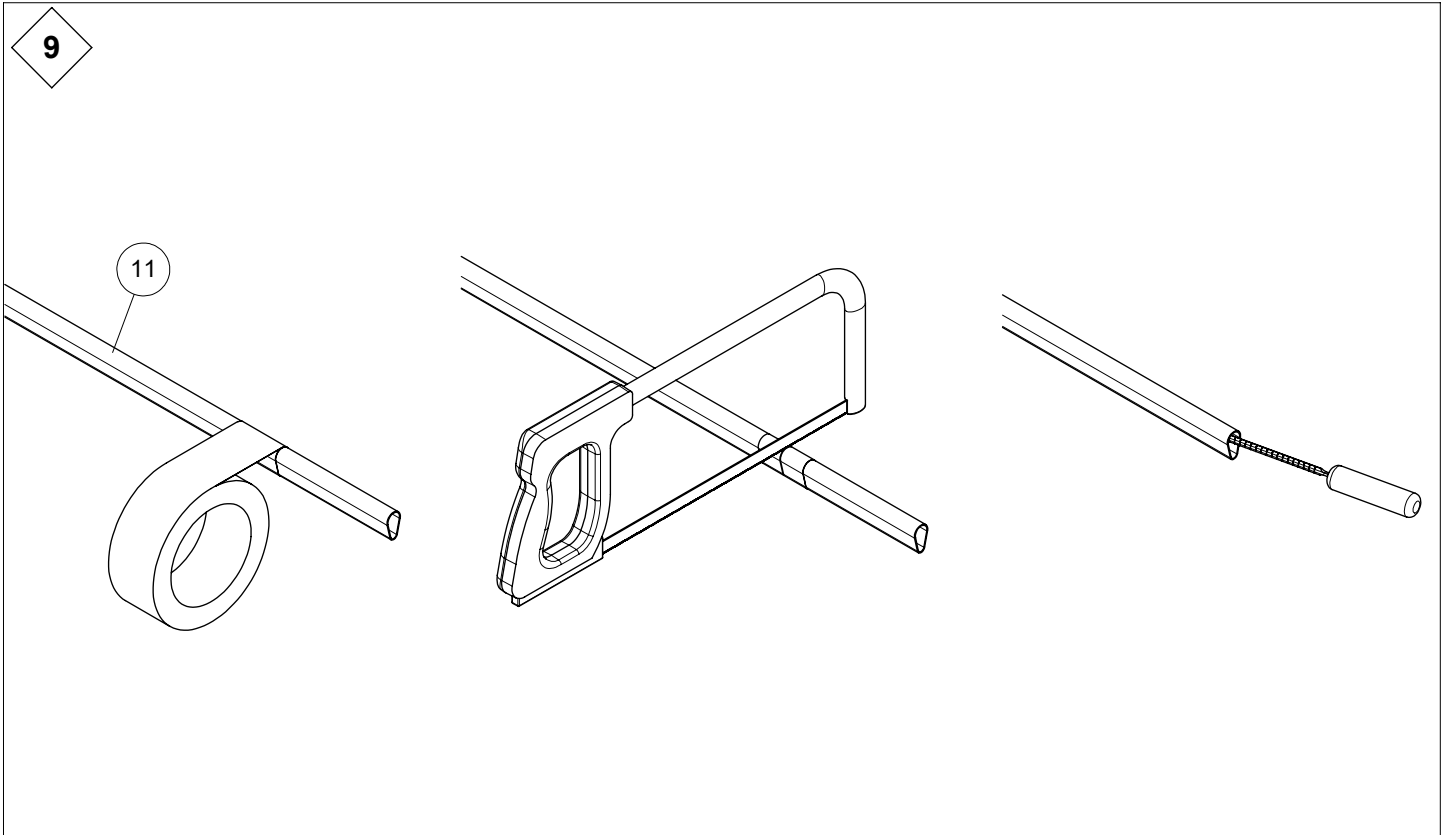
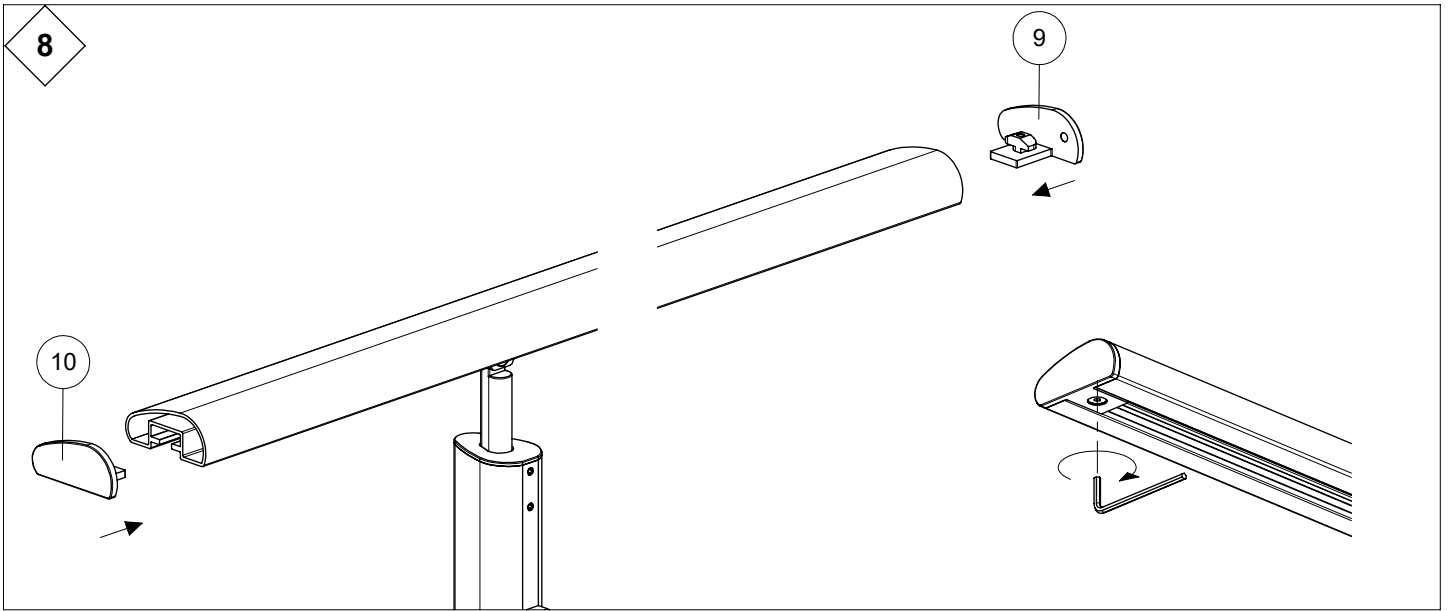
4

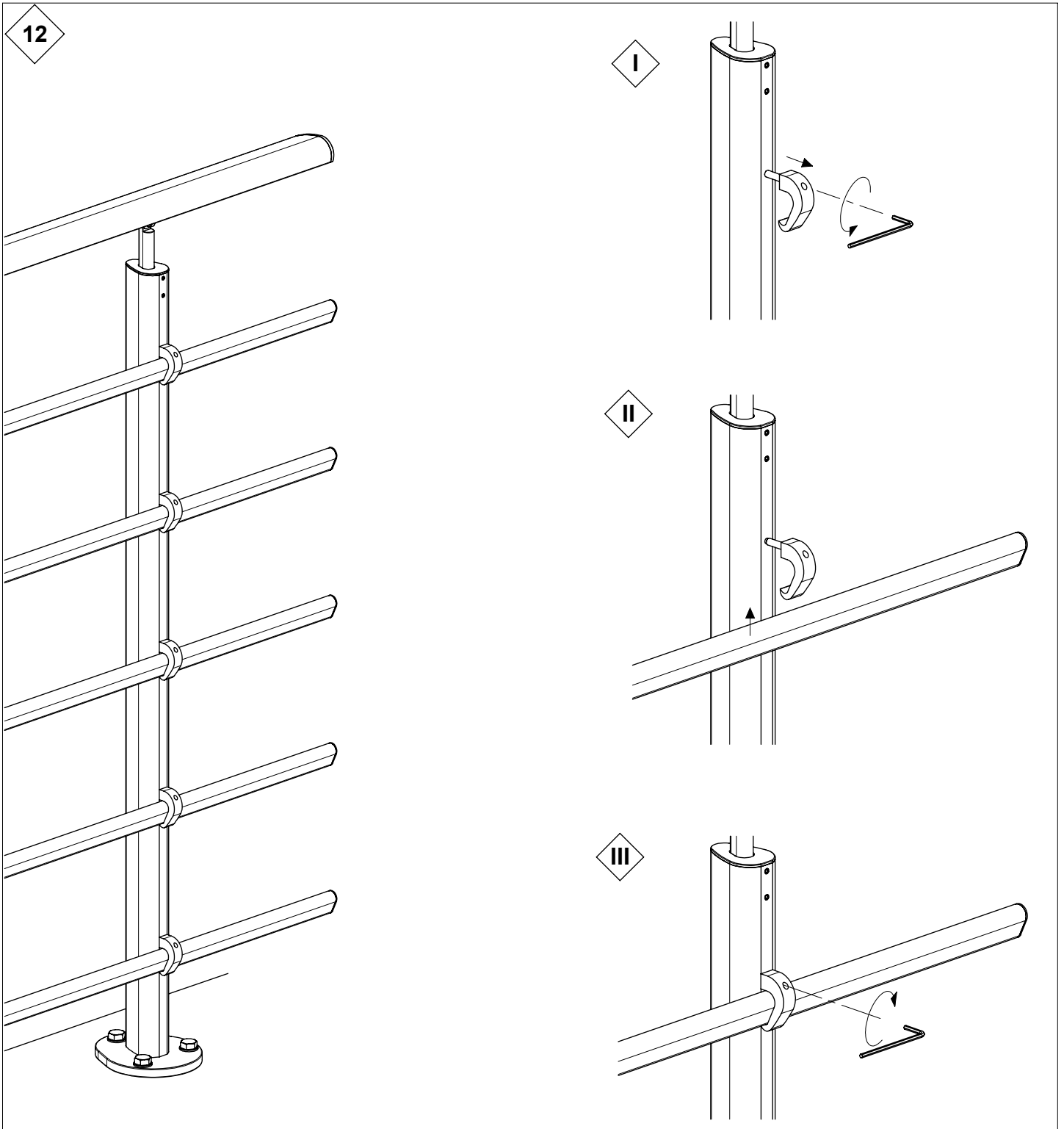
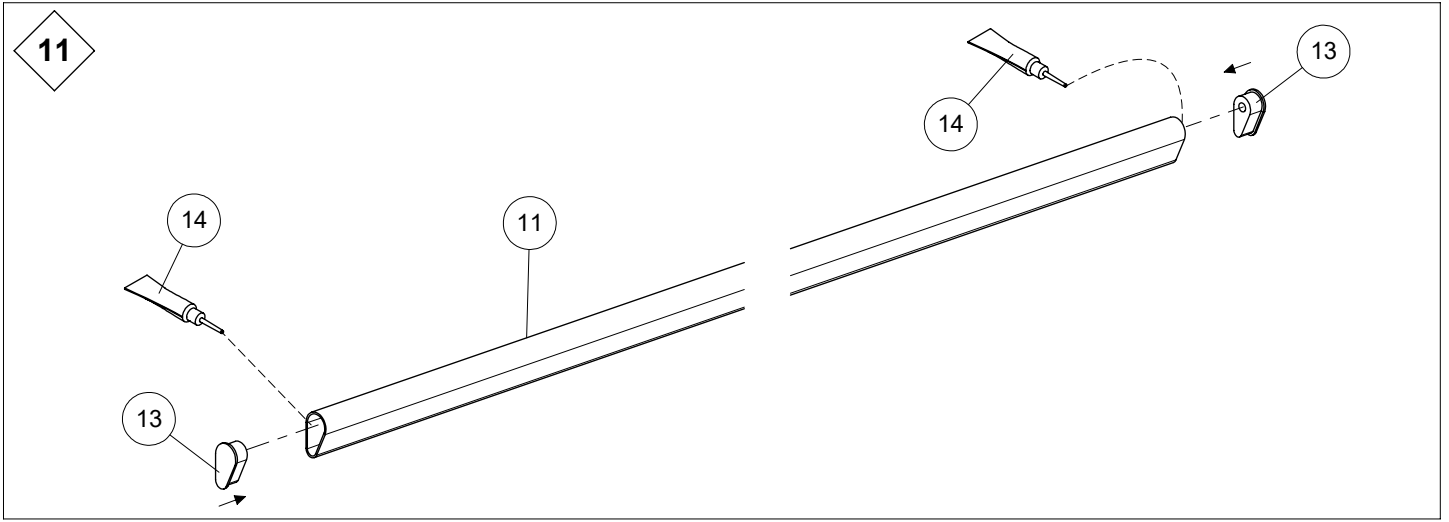


5





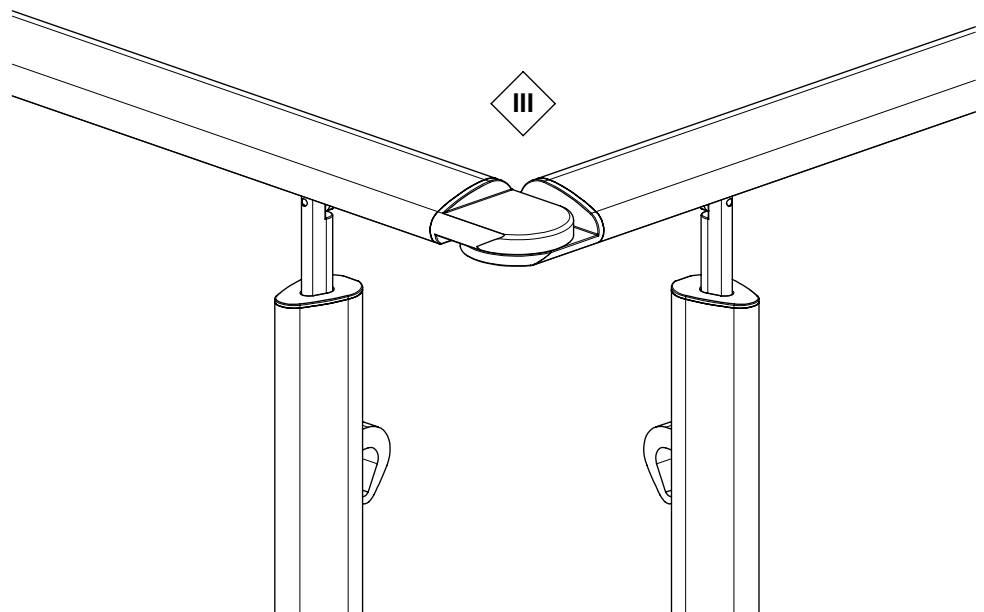
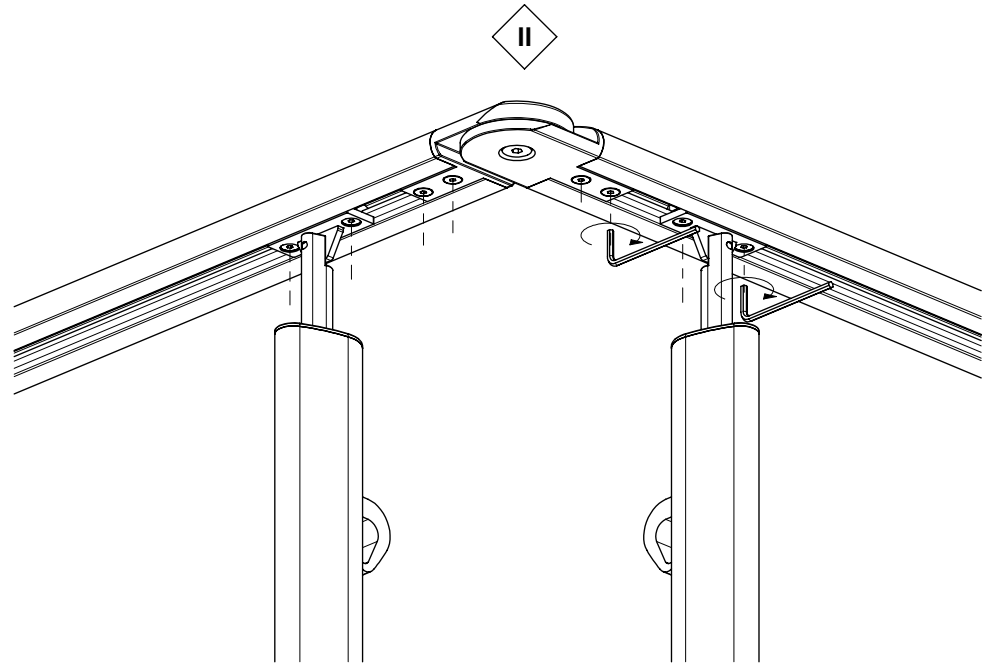
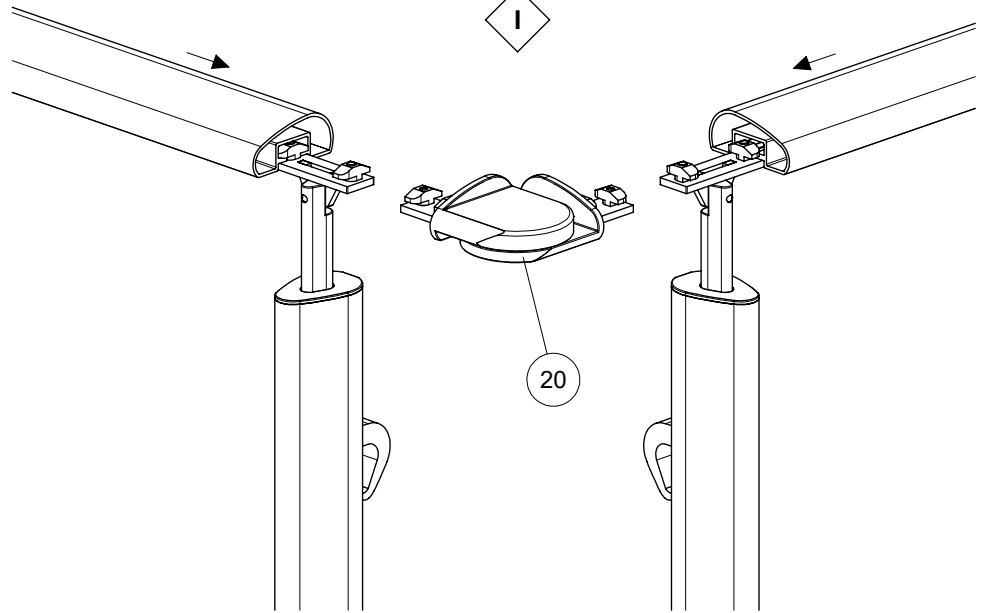
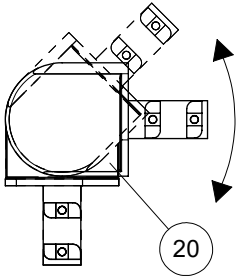




13

OPTION

PS 202



14

OPTION

